

4

3

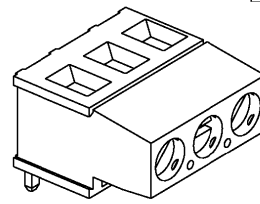
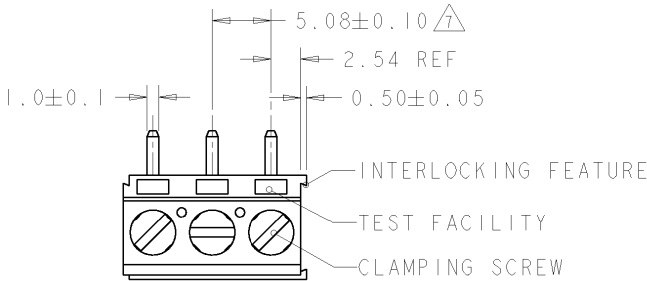
2

1

THIS DRAWING IS UNPUBLISHED. RELEASED FOR PUBLICATION
 BY TYCO ELECTRONICS CORPORATION. ALL RIGHTS RESERVED.

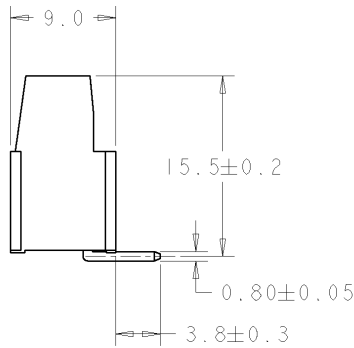
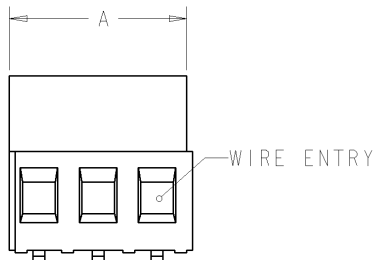
LOC FT 0
 DIST 0

REVISIONS					
P	LTR	DESCRIPTION	DATE	DWN	APVD
C		REVISED PER 063B-0119-01	20AUG2001	EZ	DB

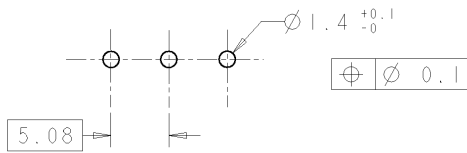


282851-3 AS SHOWN

127.00	25	2-282851-5
121.92	24	2-282851-4
116.84	23	2-282851-3
111.76	22	2-282851-2
106.68	21	2-282851-1
101.60	20	2-282851-0
96.52	19	1-282851-9
91.44	18	1-282851-8
86.36	17	1-282851-7
81.28	16	1-282851-6
76.20	15	1-282851-5
71.12	14	1-282851-4
66.04	13	1-282851-3
60.96	12	1-282851-2
55.88	11	1-282851-1
50.80	10	1-282851-0
45.72	9	282851-9
40.64	8	282851-8
35.56	7	282851-7
30.48	6	282851-6
25.40	5	282851-5
20.32	4	282851-4
15.24	3	282851-3
10.16	2	282851-2
DIM A	No OF POS	PART NUMBER



RECOMMENDED PCB LAYOUT



<small>THIS DRAWING IS A CONTROLLED DOCUMENT FOR ESD/STATIC PROTECTION. IT IS SUBJECT TO CHANGE AND THE CONTROLLING ENGINEERING ORGANIZATION SHOULD BE CONTACTED FOR THE LATEST REVISION.</small>		DWN 20AUG2001 E. ZANOLINI CHK 20AUG2001 D. BIEVENOUR APVD 20AUG2001 D. BIEVENOUR	BUCHANAN Tyco Electronics Harrisburg, PA 17105-3608
DIMENSIONS: mm TOLERANCES UNLESS OTHERWISE SPECIFIED: 0 PLC ±.3 1 PLC ±.3 2 PLC ±.25 3 PLC ±.3 4 PLC ±.3 ANGLES ±.2 FINISH		NAME PRODUCT SPEC 108-20166 APPLICATION SPEC 114-20079 WEIGHT -	TERMINAL BLOCK PCB MOUNT TOP ENTRY WIRE, STACKING W/INTERLOCK, 5.08mm PITCH
MATERIAL 		SIZE A3 CAGE CODE 00779 DRAWING NO C-282851	RESTRICTED TO SCALE 3:1 SHEET 1 OF 2 REV C
CUSTOMER DRAWING			

AMP 1470-19 REV 31MAR2000

Pro/ENGINEER DRAWING

4

3

2

1

THIS DRAWING IS UNPUBLISHED. RELEASED FOR PUBLICATION 20
 © COPYRIGHT 20 BY TYCO ELECTRONICS CORPORATION. ALL RIGHTS RESERVED.

LOC	DIST	REVISIONS				
P	LTR	DESCRIPTION	DATE	DWN	APVD	
-	-	SEE SHEET 1	-	-	-	



MATERIALS AND FINISH
 HOUSING: PA 6-6, UL 94-V0, COLOR GREEN.
 CLAMP: BRASS, NICKEL PLATED.
 TERMINAL: BRASS, TIN PLATED.
 CLAMPING SCREW: M3, BRASS, NICKEL PLATED.

- 2 SUITABLE FOR 1,6-2,4mm PC BOARD THICKNESS.
- 3 END-TO-END STACKABLE W/INTERLOCK WITHOUT LOSS OF CENTERLINE SPACING.
- 4 WIRE SIZE RANGE
 SOLID WIRE: 0,03-2,5mm² (13AWG).
 STRANDED WIRE: 0,03-1,5mm² (15AWG).
- 5 RECOGNIZED UNDER THE COMPONENT PROGRAM OF UNDERWRITERS LABORATORIES INC. FILE N° E60677.
- 6 IMO CERTIFICATE WITH SURVEILLANCE IN CONFORMITY WITH IEC 998-1/998-2-1.



NOT CUMULATIVE TOLERANCE.

<small>THIS DRAWING IS A CONTROLLED DOCUMENT FOR TYCO ELECTRONICS CORPORATION IT IS SUBJECT TO CHANGE AND THE CONTROLLING ENGINEERING ORGANIZATION SHOULD BE CONTACTED FOR THE LATEST REVISION.</small>		DWN E. ZANOLINI 20AUG2001	Tyco Electronics Harrisburg, PA 17105-3608	
DIMENSIONS: mm		CHK D. BIEVENOUR 20AUG2001	BUCHANAN NAME TERMINAL BLOCK PCB MOUNT TOP ENTRY WIRE, STACKING W/INTERLOCK, 5.08mm PITCH	
TOLERANCES UNLESS OTHERWISE SPECIFIED: 0 PLC ± 1 PLC ± 2 PLC ± 3 PLC ± 4 PLC ± ANGLES ±		APVD D. BIEVENOUR 20AUG2001		
MATERIAL -		PRODUCT SPEC -	APPLICATION SPEC -	RESTRICTED TO -
FINISH -		WEIGHT -	SIZE A3	CAGE CODE 00779
		DRAWING NO G-282851		
CUSTOMER DRAWING			SCALE 3:1	SHEET 2 OF 2
			REV C	