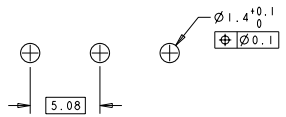
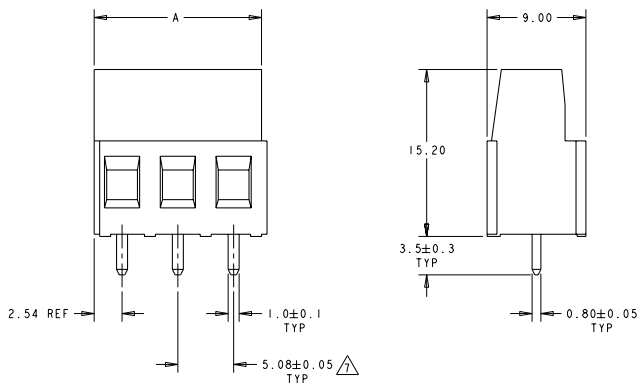
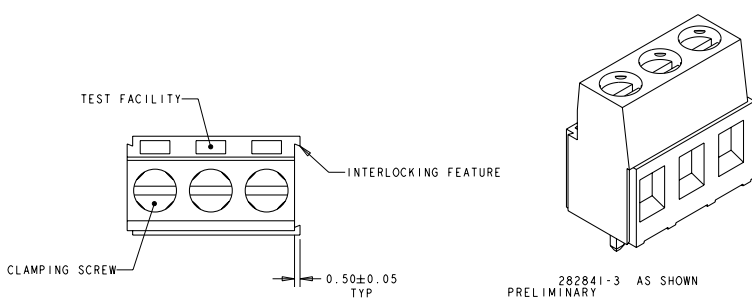


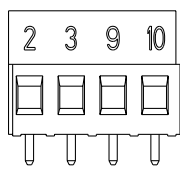
REVISONS		DATE	BY	APPROV
P	LYA			
HS	REVISED PER ECO-11-002977	2/2/2001	HMR	CR



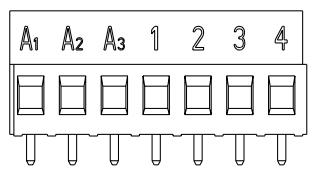
DETAIL	DESCRIPTION	QTY	COLOR	LEN	WID	PTH
PRELIMINARY	SEE SHEET 2	GREEN	15.24	3	4-282841-0	
PRELIMINARY	-	GREEN	25.40	5	3-282841-9	
PRELIMINARY	-	GREEN	20.32	4	3-282841-8	
PRELIMINARY	STAINLESS STEEL	GREEN	40.64	8	3-282841-7	
PRELIMINARY	STAINLESS STEEL	GREEN	20.32	4	3-282841-6	
PRELIMINARY	STAINLESS STEEL	GREEN	15.24	3	3-282841-5	
PRELIMINARY	STAINLESS STEEL	GREEN	10.16	2	3-282841-4	
SEE SHEET 2	GREEN	45.72	9	3-282841-3		
SEE SHEET 2	GREEN	66.04	13	3-282841-2		
SEE SHEET 2	GREEN	20.32	4	3-282841-1		
SEE SHEET 2	GREEN	60.96	12	3-282841-0		
-	BLACK	127.0	25	2-282841-9		
-	GREEN	127.0	25	2-282841-8		
-	GREEN	121.92	24	2-282841-7		
-	GREEN	116.84	23	2-282841-6		
-	GREEN	111.76	22	2-282841-5		
-	GREEN	106.68	21	2-282841-4		
-	GREEN	101.60	20	2-282841-3		
-	GREEN	96.52	19	2-282841-2		
-	GREEN	91.44	18	2-282841-1		
-	GREEN	86.36	17	2-282841-0		
-	GREEN	81.28	16	1-282841-9		
-	GREEN	76.20	15	1-282841-8		
-	GREEN	71.12	14	1-282841-7		
-	GREEN	66.04	13	1-282841-6		
SEE SHEET 2	GREEN	40.64	8	1-282841-5		
SEE SHEET 2	GREEN	35.56	7	1-282841-4		
-	BLACK	35.56	7	1-282841-3		
-	GREEN	60.96	12	1-282841-2		
-	GREEN	55.88	11	1-282841-1		
-	GREEN	50.80	10	1-282841-0		
-	GREEN	45.72	9	282841-9		
-	GREEN	40.64	8	282841-8		
-	GREEN	35.56	7	282841-7		
-	GREEN	30.48	6	282841-6		
-	GREEN	25.40	5	282841-5		
-	GREEN	20.32	4	282841-4		
-	GREEN	15.24	3	282841-3		
-	GREEN	10.16	2	282841-2		

DIMENSIONS: mm 0 PLC #0 1 PLC #3 2 PLC #6 3 PLC #10 4 PLC #16 5 PLC #20 6 PLC #25 7 PLC #32 8 PLC #40 9 PLC #50 10 PLC #60 11 PLC #75 12 PLC #100 13 ANGLE 90°	TO BE USED ONLY FOR THE CUSTOMER'S USE. DIMENSIONS ARE IN MILLIMETERS UNLESS OTHERWISE SPECIFIED. DIMENSIONS ARE IN INCHES UNLESS OTHERWISE SPECIFIED.	DATE: 28 JAN 2001 BY: S. WELDON CHECKED: D. BLEVENOUR APPROVED: D. BLEVENOUR TITLE: CUSTOMER DRAWING	Tyco Electronics Harrisburg, PA 17105-3608 TERMINAL BLOCK PCB MOUNT W/INTERLOCK, 5.08mm PITCH SCALE: 4:1 SHEET 1 OF 2 REV H5
---	--	--	---

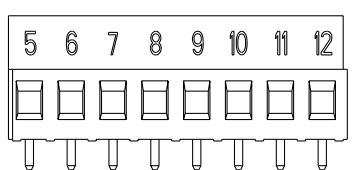
LOC		DIST		REVISIONS			
FT	0	P	LYN	DESCRIPTION	DATE	BY	APVS
		-		SEE SHEET 1	-	-	-



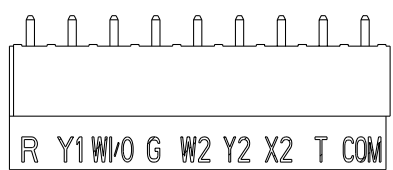
3-282841-1 AS SHOWN



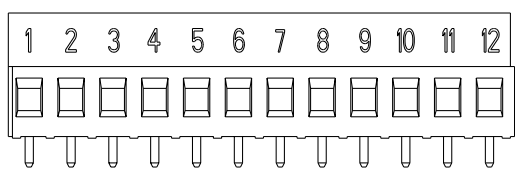
1-282841-4 AS SHOWN



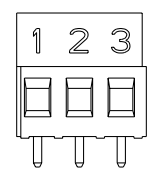
1-282841-5 AS SHOWN



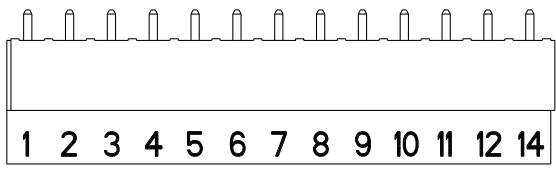
3-282841-3 AS SHOWN



3-282841-0 AS SHOWN

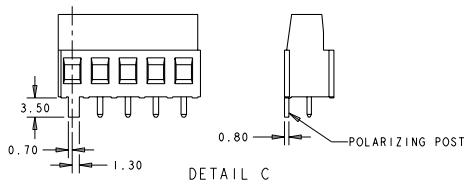
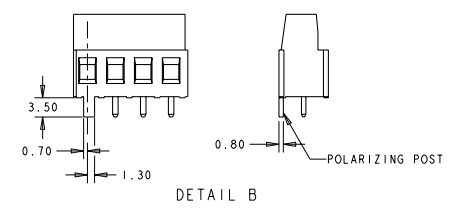


4-282841-0 AS SHOWN



3-282841-2 AS SHOWN

- △ MATERIALS AND FINISH:  
 HOUSING: PA 6-6, UL 94-V0, COLOR: SEE TABLE.  
 CLAMP: BRASS, NICKEL PLATED.  
 TERMINAL: BRASS, TIN PLATED.  
 CLAMPING SCREW: M3, BRASS, NICKEL PLATED.
- SUITABLE FOR 1,6-2,4mm. PCB THICKNESS.
  - END-TO-END STACKABLE W/INTERLOCK WITHOUT LOSS OF CENTERLINE SPACING.
  - WIRE SIZE RANGE: 12-30 AWG
  - RECOGNIZED UNDER THE COMPONENT PROGRAM OF UNDERWRITERS LABORATORIES INC. FILE No E60677.
  - IMO CERTIFICATE WITH SURVEILLANCE IN CONFORMITY WITH IEC 998-1/998-2-1.
  - NOT CUMULATIVE TOLERANCE.
  - INK MARKING : BLACK COLOR.
  - BUCHANAN LOGO TO APPEAR ON HOUSING, LOCATION OPTIONAL, WHERE SPACE PERMITS.



DIMENSIONS:		TO DRAWING SPECIFICATIONS		OWN		28 JAN 2001		Tyco Electronics	
mm		OPERATION SPECIFICATIONS		S. WELDON		28 JAN 2001		Harrisburg, PA 17105-3608	
0 PLC		0		D. BLEVENOUR		28 JAN 2001		TERMINAL BLOCK	
1 PLC		0.3		D. BLEVENOUR		28 JAN 2001		PCB MOUNT	
2 PLC		0.25		D. BLEVENOUR		28 JAN 2001		W/INTERLOCK, 5.08mm PITCH	
3 PLC		0		D. BLEVENOUR		28 JAN 2001		RESTRICTED TO	
4 PLC		0		D. BLEVENOUR		28 JAN 2001		A200779	
5 PLC		0		D. BLEVENOUR		28 JAN 2001		SCALE 3:1	
6 PLC		0		D. BLEVENOUR		28 JAN 2001		SHEET 2 OF 2	
7 PLC		0		D. BLEVENOUR		28 JAN 2001		REV H5	
8 PLC		0		D. BLEVENOUR		28 JAN 2001			
9 PLC		0		D. BLEVENOUR		28 JAN 2001			
10 PLC		0		D. BLEVENOUR		28 JAN 2001			
11 PLC		0		D. BLEVENOUR		28 JAN 2001			
12 PLC		0		D. BLEVENOUR		28 JAN 2001			
13 PLC		0		D. BLEVENOUR		28 JAN 2001			
14 PLC		0		D. BLEVENOUR		28 JAN 2001			
MATERIAL		FINISH		WEIGHT		CUSTOMER DRAWING			