

4

3

2

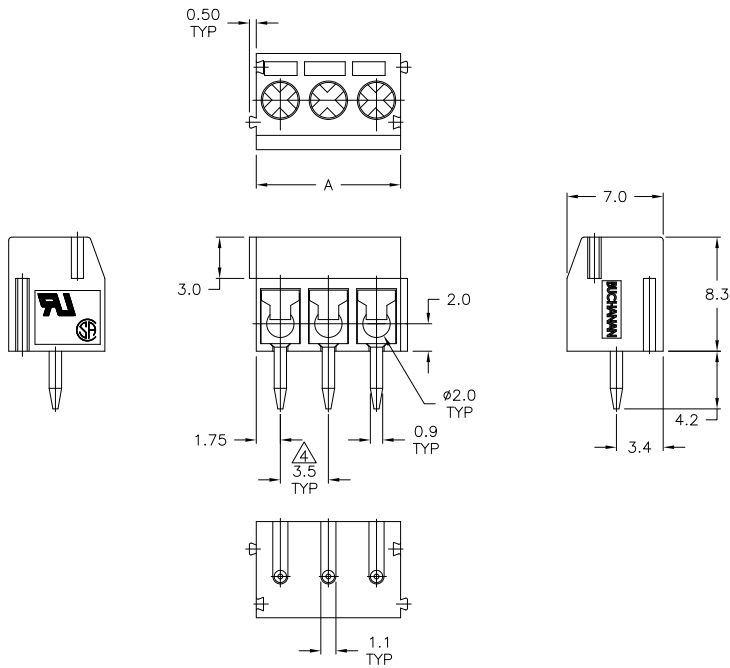
1

THIS DRAWING IS UNPUBLISHED. RELEASED FOR PUBLICATION. ALL RIGHTS RESERVED.

LOC	DIST	REVISIONS					
FT	0	F	LNK	DESCRIPTION	DATE	BY	APPD
		P		REVISED PER ECO-11-004587	11MAR11	RIK	HMR

1. ALL DIMENSIONS ARE IN MM.
2. RECOMMENDED PC BOARD HOLE DIAMETER: 1.20-1.40.
3. BUCHANAN LOGO TO APPEAR ON HOUSING LOCATION OPTIONAL WHERE SPACE PERMITS.

⚠ NON CUMULATIVE



BLACK	42.00	12	4-1776275-2
BLACK	28.00	8	3-1776275-8
BLUE	84.00	24	2-1776275-4
BLUE	80.50	23	2-1776275-3
BLUE	77.00	22	2-1776275-2
BLUE	73.50	21	2-1776275-1
BLUE	70.00	20	2-1776275-0
BLUE	66.50	19	1-1776275-9
BLUE	63.00	18	1-1776275-8
BLUE	59.50	17	1-1776275-7
BLUE	56.00	16	1-1776275-6
BLUE	52.50	15	1-1776275-5
BLUE	49.00	14	1-1776275-4
BLUE	45.50	13	1-1776275-3
BLUE	42.00	12	1-1776275-2
BLUE	38.50	11	1-1776275-1
BLUE	35.00	10	1-1776275-0
BLUE	31.50	9	1776275-9
BLUE	28.00	8	1776275-8
BLUE	24.50	7	1776275-7
BLUE	21.00	6	1776275-6
BLUE	17.50	5	1776275-5
BLUE	14.00	4	1776275-4
BLUE	10.50	3	1776275-3
BLUE	7.00	2	1776275-2
HOUSING COLOR	DIM A	NO OF POSN	PART NUMBER

DIMENSIONS		TOLERANCES UNLESS OTHERWISE SPECIFIED		APPROVALS		TE Connectivity	
mm		0 PLC	±	DRM	S. SCHLEGEL	5/3/05	
		1 PLC	± 0.3	CHK	C. RICHARD	5/3/05	
		2 PLC	± 0.25	APP	C. RICHARD	5/3/05	
		3 PLC	±	NAME			
		4 PLC	±	PRODUCT SPEC			TERMINAL BLOCK, PCB MOUNT, STRAIGHT SIDE WIRE ENTRY, W/ INTERLOCK, 3.5mm PITCH, HIGH TEMP
MATERIAL	FINISH	APPLICATION SPEC		SIZE	ONE CODE	DRAWING NO	RESTRICTED TO
-	-	WEIGHT	-	A2	00779	C=1776275	-
THIS DRAWING IS A CONTROLLED DOCUMENT.				CUSTOMER DRAWING		SCALE	4:1 SHEET 1 of 2 REV P

4

3



2

1

THIS DRAWING IS UNPUBLISHED. RELEASED FOR PUBLICATION. ALL RIGHTS RESERVED.

LOC	DIST	REVISIONS				
FT	0	F	LR	DATE	DRN	APD
-	-	SEE SHEET 1	-	-	-	-

1. APPLICATION AND FEATURES:
- 1-1. STANDARD SIZES ARE 2 AND 3 WAY-BLOCKS, BUT EVERY NUMBER OF CONTACT CAN BE COMBINED, BY SIMPLY PLUGGING THEM TOGETHER AND CAN BE ORDERED AS REQUIRED.
  - 1-2. WITH WIRE GUARD FOR WIRE PROTECTION SO THAT THE SCREW DOESN'T PRESS DIRECTLY ON THE WIRE.
2. TECHNICAL DATA:
- 2-1. MATERIAL:
- 2-1-1. HOUSING: NYON 6.6, UL 94 V-0, SEE TABLE.
  - 2-1-2. METAL HOUSING: BRASS(Cu Zn) Cu, Tin plated.
  - 2-1-3. WIRE GUARD: STAINLESS STEEL.
  - 2-1-4. SCREW: STEEL GALVANIZED AND CHROMATIZED, M2.6.
- 2-2. ELECTRICAL:
- 2-2-1. CURRENT RATING: RATING: 7 AMPS/WAY MAX.
  - 2-2-2. CONTACT RESISTANCE: 20mohm (MAX).
  - 2-2-3. INSULATION RESISTANCE: 5000Mohm/1000V.
  - 2-2-4. WITHSTANDING VOLTAGE: 1500 VAC/MIN.
  - 2-2-5. OPERATION VOLTAGE: 250 VAC.
  - 2-2-6. WIRE RANGE: 18-26 AWG.
- 2.3. MECHANICAL:
- 2-3-1. TORQUE: 4 Kg.cm (MAX).
  - 2-3-3. OPERATING TEMPERATURE: -55°C to +105°C.
  - 2-3-4. SOLDERABILITY: 95% COVERAGE (MIN).

THIS DRAWING IS A CONTROLLED DOCUMENT.		DRN S. SCHLEGEL 5/5/05	 TE Connectivity	
DIMENSIONS: mm		CHK C. RICHARD 5/5/05		
		APD C. RICHARD 5/5/05	NAME C. RICHARD	
TOLERANCES UNLESS OTHERWISE SPECIFIED:		PRODUCT SPEC		
0 PLC ± -		APPLICATION SPEC		
1 PLC ± 0.3		SIZE A2		
2 PLC ± 0.05		CAGE CODE 00779		
3 PLC ± -		DRAWING NO C-1776275		
4 PLC ± -		RESTRICTED TO		
ANGLES ± -		WEIGHT		
FINISH		CUSTOMER DRAWING		
MATERIAL		SCALE 4:1		
		SHEET 2 of 2		
		REV P		

1471-9 (3/13)

1776275