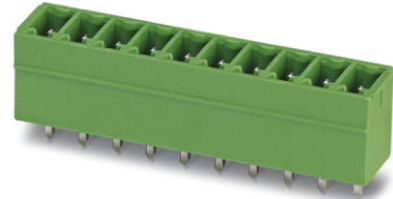


## MCV 1,5/ 5-G-3,5

Order No.: 1843635

The figure shows a 10-position version of the product

<http://eshop.phoenixcontact.de/phoenix/treeViewClick.do?UID=1843635>Header, Nominal current: 8 A, Nom. voltage: 160 V, Pitch: 3.5 mm,  
Number of positions: 5, Color: green, Assembly: Soldering

Commercial data	
EAN	4017918112783
Pack	50 pcs.
Customs tariff	85366990
Weight/Piece	0.001562 KG
Catalog page information	Page 175 (CC-2009)

**Product notes**WEEE/RoHS-compliant since:  
01/01/2003

<http://www.download.phoenixcontact.com>  
Please note that the data given here has been taken from the online catalog. For comprehensive information and data, please refer to the user documentation. The General Terms and Conditions of Use apply to Internet downloads.

**Technical data**

Dimensions / positions	
Length	7.25 mm
Pitch	3.5 mm
Dimension a	14 mm
Number of positions	5
Pin dimensions	0,8 x 0,8 mm

Hole diameter	1.2 mm
<b>Technical data</b>	
Insulating material group	IIIa
Rated surge voltage (III/3)	2.5 kV
Rated surge voltage (III/2)	2.5 kV
Rated surge voltage (II/2)	2.5 kV
Rated voltage (III/2)	160 V
Rated voltage (II/2)	250 V
Connection in acc. with standard	EN-VDE
Nominal current $I_N$	8 A
Nominal voltage $U_N$	160 V
Maximum load current	8 A
Insulating material	PBT
Inflammability class acc. to UL 94	V0

**Certificates / Approvals**



Certification CB, CSA, CUL, GOST, UL, VDE-PZI

**CSA**

Nominal voltage $U_N$	300 V
Nominal current $I_N$	8 A

**CUL**

Nominal voltage $U_N$	300 V
Nominal current $I_N$	8 A

**UL**

Nominal voltage $U_N$	300 V
Nominal current $I_N$	8 A

### Accessories

Item	Designation	Description
<b>Marking</b>		
1051993	B-STIFT	Marker pen, for manual labeling of unprinted Zack strips, smear-proof and waterproof, line thickness 0.5 mm
0804073	SK 3,5/2,8:FORTL.ZAHLEN	Marker card, printed horizontally, self-adhesive, 10-section marker strip, 14 identical decades marked 1-10, 11-20 etc. up to 91-100, sufficient for 140 terminal blocks
0803883	SK U/2,8 WH:UNBEDRUCKT	Unprinted marker cards, DIN A4 format, pitch as desired, self-adhesive, with 50 stamped marker strips, 185 mm strip length, can be labeled with the CMS system or manually with the M-PEN

### Plug/Adapter

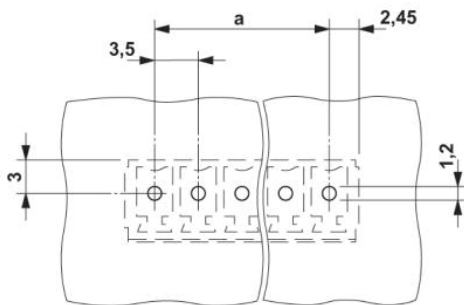
Item	Designation	Description
1734634	CP-MSTB	Keying profile, is inserted into the slot on the plug or inverted header, red insulating material

### Additional products

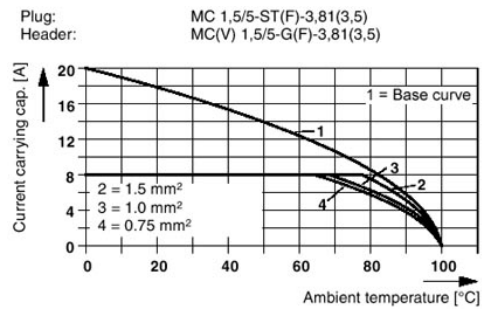
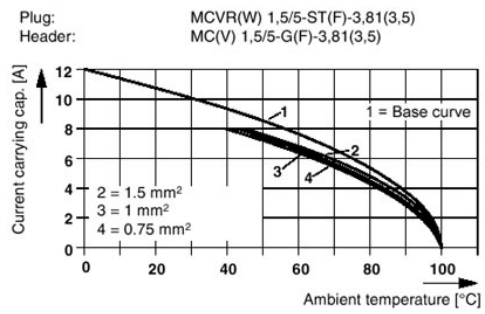
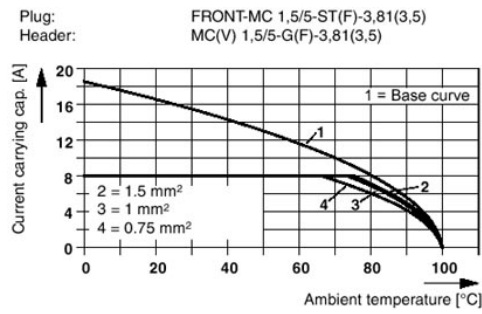
Item	Designation	Description
<b>General</b>		
1840395	MC 1,5/ 5-ST-3,5	Plug component, Nominal current: 8 A, Nom. voltage: 160 V, Pitch: 3.5 mm, Number of positions: 5, Connection type: Screw connection, Color: green
1863181	MCVR 1,5/ 5-ST-3,5	Plug component, Nominal current: 8 A, Nom. voltage: 160 V, Pitch: 3.5 mm, Number of positions: 5, Connection type: Screw connection, Color: green
1862881	MCVW 1,5/ 5-ST-3,5	Plug component, Nominal current: 8 A, Nom. voltage: 160 V, Pitch: 3.5 mm, Number of positions: 5, Connection type: Screw connection, Color: green

### Diagrams/Drawings

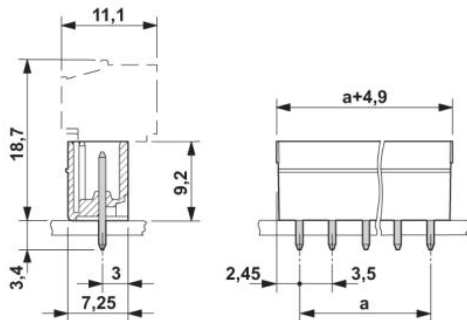
Drilling plan/solder pad geometry



Diagram



Dimensioned drawing



**Address**

PHOENIX CONTACT Deutschland GmbH  
Flachsmarktstr. 8  
32825 Blomberg, Germany  
Phone +49 5235 3 12000  
Fax +49 5235 3 41200  
<http://www.phoenixcontact.de>



© 2010 Phoenix Contact  
Technical modifications reserved;