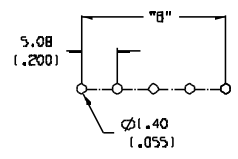
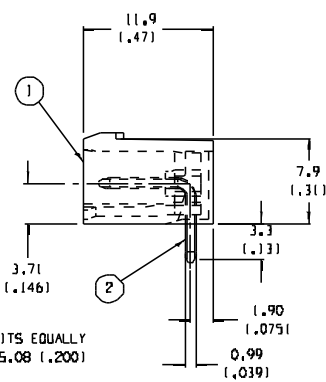


"XX" CIRCUITS EQUALLY SPACED @ 5.08 (.200)



RECOMMENDED PLATED THRU HOLE PATTERN
SCALE 2:1

NOTES:

1. MATERIALS: SEE TABLE
2. FINISHES: SEE TABLE
3. PRODUCT SPECIFICATION: NOT REQUIRED
4. PACKAGING: NOT REQUIRED
5. MATES WITH: NONE
6. "XX" REFERS TO THE QUANTITY OF CIRCUIT POSITIONS.
7. REFER TO DWS SD-38 (20-003 FOR OPTIONAL IMPRINTING 1-IDA AND 1-1A1)

ITEM	QTY.	DESCRIPTION	MATERIAL	FINISH
2	XX	HEADER PIN 1-630 OPTION1	BRASS	GOLD PLATE
		HEADER PIN	BRASS	TIN PLATE
1	1	INSULATOR	NYLON	SEE CHART

ECN: 3719 DWS: CY 06-04-04	QUALITY SYMBOLS: MAJOR OPTIONAL SPEC	GENERAL TOLERANCES UNLESS SPECIFIED		SCALE: 3:1	DESIGN UNITS: DIM INCH	THIRD ANGLE PROJECTION	PROJECT NO./NA	DIMENSIONS: DIM INCH DIM MM DIM INCH DIM MM DIM INCH DIM MM DIM INCH DIM MM	SHEET NO. 1 OF 2	REV
		DRAWN BY & DATE: R. KEMP 12-05-01	CHECKED BY & DATE: P. MALTZ 12-06-01	APPROVED BY & DATE: L. ROTHHAUS 12-06-01	CAD FILENAME: B619XX	MATERIAL NO.: SEE SHT. 2	DRAWING NO.: SD-39860-011	TITLE: HEADER RA, CLOSED ENDS, ASSY (5.08 (.200) CENTERS)	MOLEX INCORPORATED	SHEET NO. 1 OF 2

NO. OF CIRC. "XX"	DIM. "A" ±.015	DIM. "B"	DIM. "C" ±.005 ±.012	BLACK (STD.) MATERIAL NO.	BLACK MATERIAL NO. (-B3) OPT	BLACK MATERIAL NO. (-1BA OPT)	GREEN MATERIAL NO.	ORANGE MATERIAL NO.
02	11.43 (1.450)	5.08 (1.200)	10.46 (1.412)	39860-0702	39861-0702	39862-0702	39860-3702	
03	16.51 (1.850)	10.16 (1.400)	15.54 (1.612)	39860-0703	39861-0703	39862-0703	39860-3703	39869-0021
04	21.59 (1.850)	15.24 (1.800)	20.62 (1.812)	39860-0704	39861-0704	39862-0704	39860-3704	
05	26.67 (1.050)	20.32 (1.800)	25.70 (1.012)	39860-0705	39861-0705	39862-0705	39860-3705	
06	31.75 (1.250)	25.40 (1.800)	30.78 (1.212)	39860-0706	39861-0706	39862-0706	39860-3706	
07	37.44 (1.474)	30.48 (1.200)	35.86 (1.412)	39860-0707	39861-0707	39862-0707	39860-3707	39869-0042
08	42.52 (1.674)	35.56 (1.400)	40.94 (1.612)	39860-0708	39861-0708	39862-0708	39860-3708	
09	47.60 (1.874)	40.64 (1.600)	46.02 (1.812)	39860-0709	39861-0709	39862-0709	39860-3709	
10	52.68 (2.074)	45.72 (1.800)	51.10 (2.012)	39860-0710	39861-0710	39862-0710	39860-3710	
11	57.76 (2.274)	50.80 (2.000)	56.18 (2.212)	39860-0711	39861-0711	39862-0711	39860-3711	
12	62.84 (2.474)	55.88 (2.200)	61.26 (2.412)	39860-0712	39861-0712	39862-0712	39860-3712	39869-0059
13	67.92 (2.674)	60.96 (2.400)	66.34 (2.612)	39860-0713	39861-0713	39862-0713	39860-3713	
14	73.00 (2.874)	66.04 (2.600)	71.42 (2.812)	39860-0714	39861-0714	39862-0714	39860-3714	39869-0064
15	78.08 (3.074)	71.12 (2.800)	76.50 (3.012)	39860-0715	39861-0715	39862-0715	39860-3715	
16	83.16 (3.274)	76.20 (3.000)	81.58 (3.212)	39860-0716	39861-0716	39862-0716	39860-3716	
17	88.24 (3.474)	81.28 (3.200)	86.66 (3.412)	39860-0717	39861-0717	39862-0717	39860-3717	
18	93.32 (3.674)	86.36 (3.400)	91.74 (3.612)	39860-0718	39861-0718	39862-0718	39860-3718	
19	98.40 (3.874)	91.44 (3.600)	96.82 (3.812)	39860-0719	39861-0719	39862-0719	39860-3719	
20	103.48 (4.074)	96.52 (3.800)	101.90 (4.012)	39860-0720	39861-0720	39862-0720	39860-3720	
21	108.56 (4.274)	101.60 (4.000)	106.98 (4.212)	39860-0721	39861-0721	39862-0721	39860-3721	39869-0068
22	113.64 (4.474)	106.68 (4.200)	112.06 (4.412)	39860-0722	39861-0722	39862-0722	39860-3722	
23	118.72 (4.674)	111.76 (4.400)	117.14 (4.612)	39860-0723	39861-0723	39862-0723	39860-3723	
24	123.80 (4.874)	116.84 (4.600)	122.22 (4.812)	39860-0724	39861-0724	39862-0724	39860-3724	

SEE SHEET 1 SEE NO. DRAWING: CH'Y1 APP'Y1	QUALITY SYMBOLS MAJOR DESCRIPTION OPTICAL SPEC	GENERAL TOLERANCES UNLESS SPECIFIED	SCALE	DATE	THIRD ANGLE PROJECTION	PROJECT NO.	REV								
		<table border="1"> <tr><td>1 PLACES</td><td>±.030</td><td>±.0015</td></tr> <tr><td>2 PLACES</td><td>±.013</td><td>±.005</td></tr> <tr><td>3 PLACES</td><td>±.008</td><td>±.01</td></tr> </table>	1 PLACES	±.030	±.0015	2 PLACES	±.013	±.005	3 PLACES	±.008	±.01	<input type="checkbox"/> DIM <input checked="" type="checkbox"/> INCH <input type="checkbox"/> INCH <input type="checkbox"/> INCH <input type="checkbox"/> INCH	DRAWN BY & DATE R. KEMP 12-05-01 CHECKED BY & DATE P. WALZ 12-06-01 APPROVED BY & DATE L. ROTHHAUS 12-06-01	TITLE: HEADER RA, CLOSED ENDS, ASSY (5.08 (1.200) CENTERS)	DIMENSIONS: <input checked="" type="checkbox"/> DIM <input type="checkbox"/> INCH <input type="checkbox"/> INCH <input type="checkbox"/> INCH
1 PLACES	±.030	±.0015													
2 PLACES	±.013	±.005													
3 PLACES	±.008	±.01													
CAP FILENAME: B619XX MATERIAL NO.: SEE CHART DRAWING NO.: SD-39860-011		THIS DRAWING CONTAINS INFORMATION THAT IS PROPRIETARY TO MOLEX INCORPORATED AND SHOULD NOT BE USED WITHOUT WRITTEN PERMISSION.		SHEET NO. 2 OF 2		SIZE B									