

# Industrial Circular Ethernet-Sealed RJ-45 Connectors

## DESCRIPTION

Issued 04/05 1773404

- This new, rugged connector series meets the Ethernet/IP RJ45 requirements/standards. Designed for use in harsh environments, the connector features a quick-connect bayonet coupling mechanism per the ODVA interoperability interface specification.

## APPLICATIONS

- Industrial machinery, Diagnostic equipment, Communications equipment, Printers, and any potential application where Ethernet is used where the connector requirement calls for a sealed, rugged connector interface



## KEY FEATURES

- For Category 5e cables
- Sealing performance per IP 67
- Protective cover available for the receptacles
- Positive lock coupling ring provides reliable connections in harsh environments
- Available pass-through and field installable receptacle styles
- Bulkhead receptacle mounts to either outside or inside panel cutout

## ELECTRICAL

- Meets TIA/EIA-568 Category 5e link requirements

## MECHANICAL

- Positive lock coupling ring
- Polarized for proper mating between the connector halves

## MATERIALS

- Housings, Coupling ring: ULU 94V-0
- Cable fitting, Modular plug, Tether: ULU 94V-2
- Gasket, Seal: ULU 94 HBF
- UV resistant housing material
- Operating range: -40°C to +85°C [-40°F to +185°F]

## STANDARDS & SPECS

- Design Objective: 108-2198

## FOR MORE INFORMATION

### Technical Support

Internet: [www.tycoelectronics.com](http://www.tycoelectronics.com)

E-mail:

[newproducts@tycoelectronics.com](mailto:newproducts@tycoelectronics.com)

USA: 1-800-522-6752

Canada: 1-905-470-4425

Mexico: 01-800-733-8926

C. America: 52-55-5-792-0425

South America: 55-11-3611-1514

Hong Kong: 852-2735-1628

Japan: 81-44-844-8013

UK: 44-141-810-8967

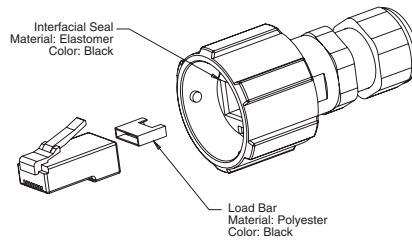
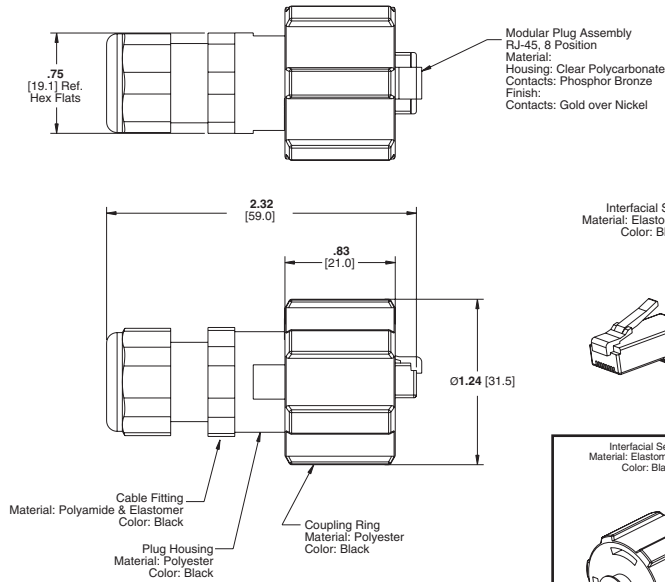
**new product**

# Industrial Circular Ethernet – Sealed RJ-45 Connectors

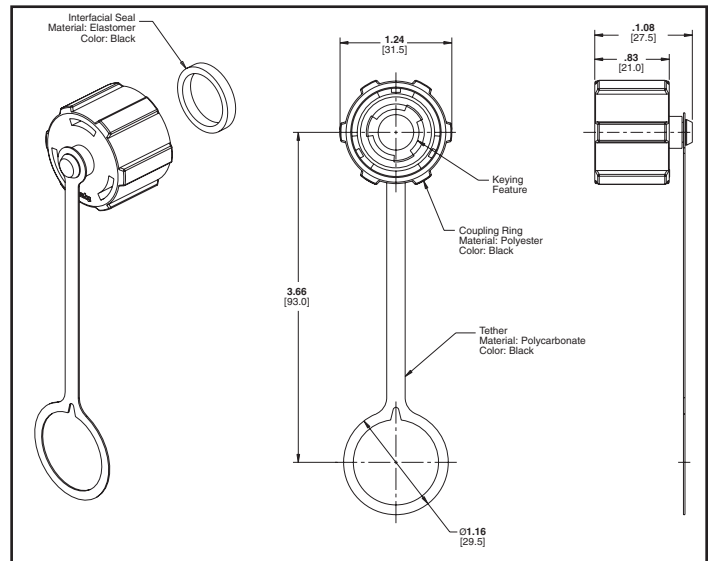
## PRODUCT DIMENSIONS & PRODUCT OFFERING

**Plug Kit  
Solid Wire  
PN 1738607-1**

**Stranded Wire  
PN 1738607-2**



**Protective Cover  
Assembly, Receptacle  
PN 1738611-1**



**Receptacle Kit,  
Pass-Through  
PN 1738601-1**

