

ELECTRICAL SPECIFICATIONS:

- | | |
|---|---|
| 1.0 TURNS RATIO (P6-P5-P4) : (J6-J3) | : 1.41CT : 1CT ± 3% |
| (P3-P2-P1) : (J2-J1) | : 1CT : 1CT ± 3% |
| 2.0 INDUCTANCE (J3-J6) | : 350uH MIN. @ 0.1V , 100KHz, 8mA DC Bias |
| (P3-P2-P1) | : 350uH MIN. @ 0.1V, 100KHz, 8mA DC Bias |
| 3.0 LEAKAGE INDUCTANCE P6-P4 (WITH J6 AND J3 SHORT) | : 0.6uH MAX. @ 1MHz |
| P3-P1 (WITH J2 AND J1 SHORT) | : 0.3uH MAX. @ 1MHz |
| 4.0 INTERWINDING CAPACITANCE (P6,P5,P4) TO (J6,J3) | : 25pf MAX @ 1MHz |
| (P3,P2,P1) TO (J2,J1) | : 25pf MAX. @ 1MHZ |
| 5.0 DC RESISTANCE (J6-J3)=(J2-J1) | : 1.2 ohms Max. |

NOTES

1.0 PINS WITHOUT ELECTRICAL CONNECTION ARE OMITTED.

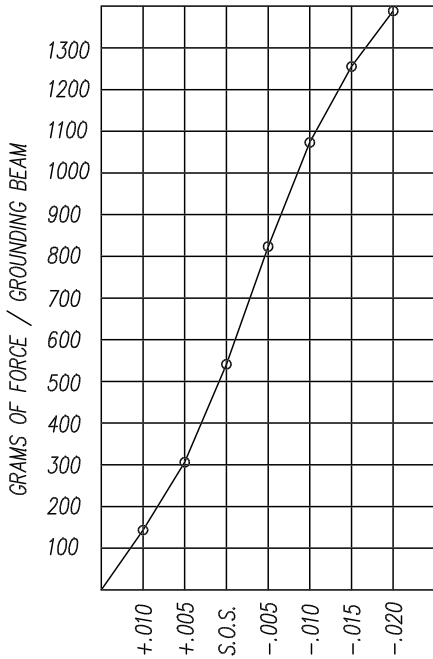
InNet Technologies Inc.
<http://www.innet-tech.com>
 Stewart Connector Systems
<http://www.stewartconnector.com>

SHEET 1 OF 4	DRAWING NO. SI-10038	REV. X
-----------------	-------------------------	-----------

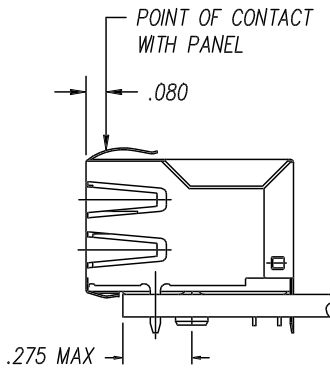
6.0 RETURN LOSS:		
	1MHz TO 30MHz	: 18dB MIN.
	60MHz TO 80MHz	: 12dB MIN.
7.0 VOLTAGE WITHSTAND:		
	<J1, J2> TO <P1, P3>	: 1500 VAC
	<J3, J6> TO <P4,P6>	: 1500 VAC
8.0 INSERTION LOSS: RS=RL=100 ohms		
	100KHz TO 100MHz	1.1 dB TYP
9.0 RISE TIME: RS=100 OHMS AND RL = 100 OHMS		
	OUTPUT VOLTAGE = 1 V peak	3.0 nS MAX
	PULSE WIDTH= 112nS	3.0 nS MAX
10.0 CROSS TALK:		
	1MHz TO 100MHz	40 dB TYP
11.0 COMMON TO DIFFERENTIAL MODE ATTENUATION:		
	100KHz TO 50MHz	50dB TYP
	50MHz TO 140MHz	40dB TYP

InNet Technologies Inc.
<http://www.innet-tech.com>
Stewart Connector Systems
<http://www.stewartconnector.com>

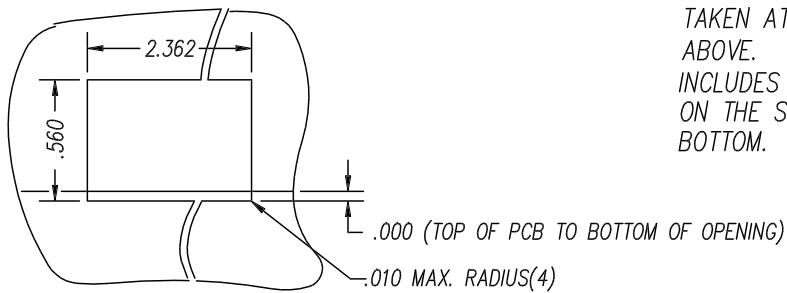
SHEET 2 OF 4	DRAWING NO. SI-10038	REV. X
-----------------	-------------------------	-----------



PANEL GROUNDING BEAM DEFLECTION
S.O.S. = SUGGESTED OPENING SIZE



THE SUGGESTED PANEL OPENING IS INTENDED TO GIVE THE USER THE ABILITY TO HAVE REASONABLE JACK / PANEL CLEARANCES YET MAINTAIN RELIABLE GROUNDING CAPABILITY. THESE VARIABLES CAN BE ADJUSTED IN EITHER DIRECTION BUT MAY CARRY SOME CONSEQUENCES IN THE FORM OF LOWER MATING FORCES OR TIGHTER ASSEMBLY TOLERANCES. FORCE VALUES ON THE GRAPH ARE GENERAL AVERAGES TAKEN AT THE POINT OF CONTACT SHOWN ABOVE. THE SUGGESTED PANEL OPENING INCLUDES APPROXIMATELY .020 CLEARANCE ON THE SIDES AND TOP AND .005 ON THE BOTTOM.



SUGGESTED PANEL OPENING

CT720035X1/24-001701

InNet Technologies Inc.
<http://www.innet-tech.com>
 Stewart Connector Systems
<http://www.stewartconnector.com>

SHEET 4 of 4	DRAWING NO. SI-10038	REV. 01
-----------------	-------------------------	------------