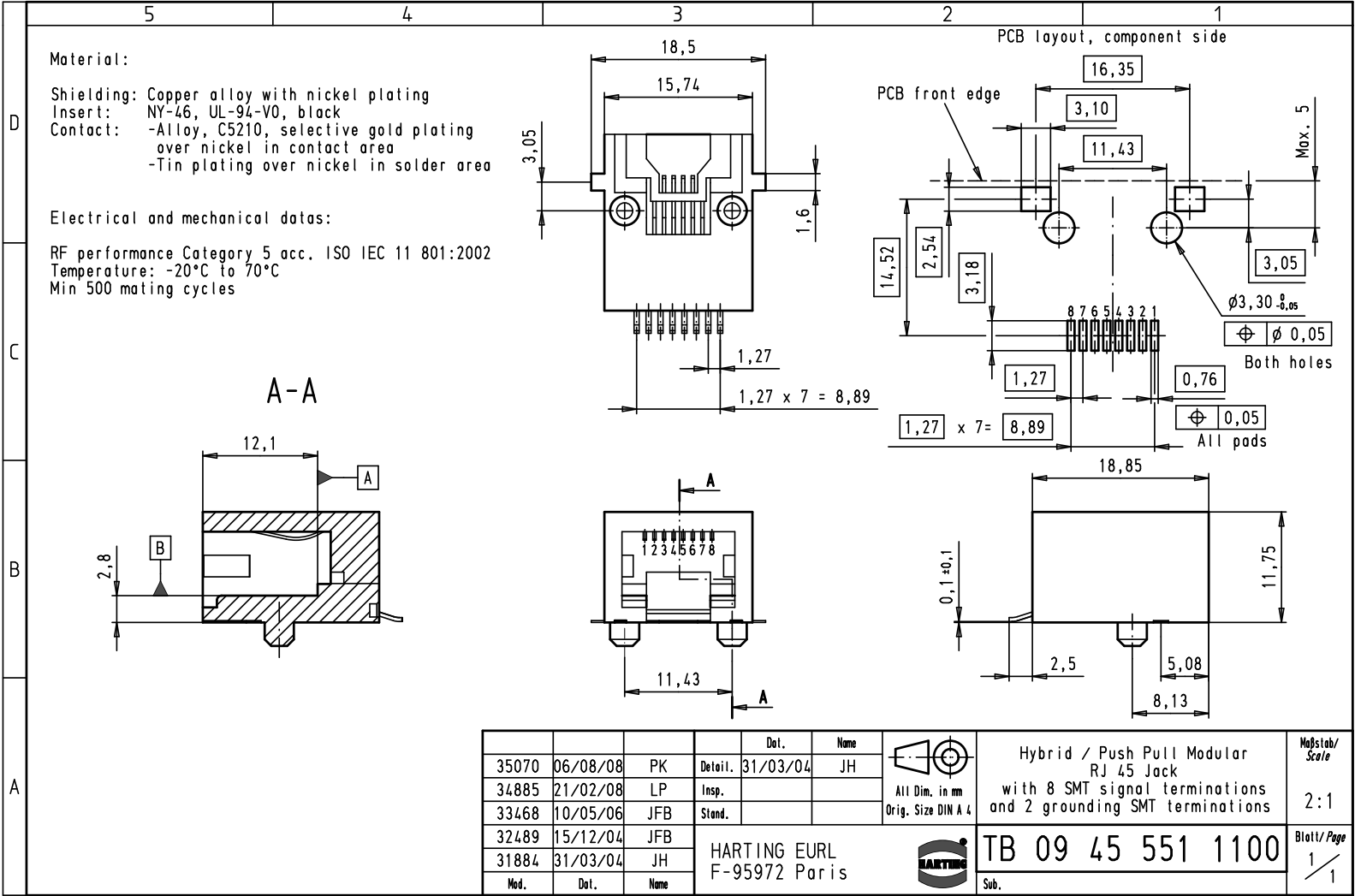


Alle Rechte vorbehalten/ All rights reserved



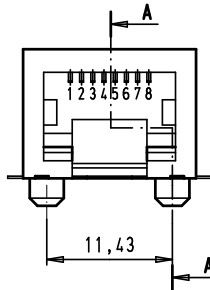
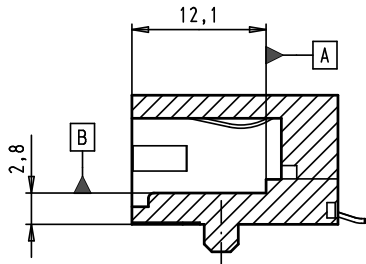
Material:


Shielding: Copper alloy with nickel plating
 Insert: NY-46, UL-94-V0, black
 Contact: -Alloy, C5210, selective gold plating over nickel in contact area
 -Tin plating over nickel in solder area

Electrical and mechanical datas:

RF performance Category 5 acc. ISO IEC 11 801:2002
 Temperature: -20°C to 70°C
 Min 500 mating cycles

A-A



Mod.	Det.	Name	Det.	Name	 All Dim. in mm Orig. Size DIN A 4	Hybrid / Push Pull Modular RJ 45 Jack with 8 SMT signal terminations and 2 grounding SMT terminations	Maßstab/ Scale		
35070	06/08/08	PK	Detail.	31/03/04			JH	TB 09 45 551 1100 Sub.	2:1
34885	21/02/08	LP	Insp.						1 / 1
33468	10/05/06	JFB	Stand.						
32489	15/12/04	JFB							
31884	31/03/04	JH	HARTING EURL F-95972 Paris						