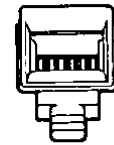
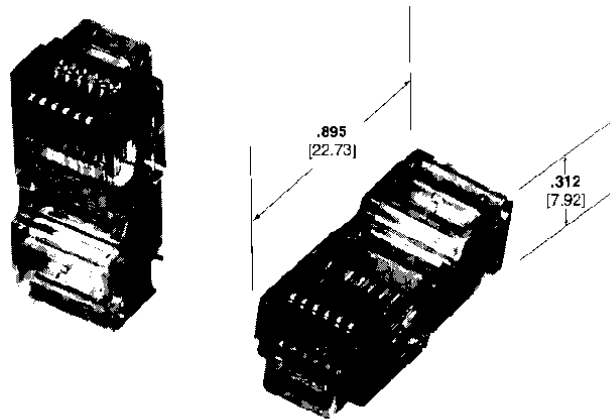


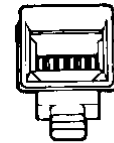
## Unshielded Modular Plugs (Continued)

### 6-Position Long Body

Photo-109865-4



Flat Oval Cable

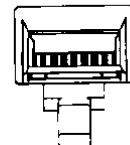
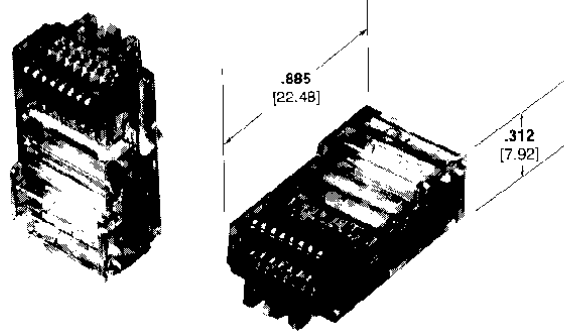


Round Cable

Description	Plug Part Numbers					
	Strip	10,000/Box	1,000/Box	500/Box	100/Box	25/Bag
6/6-Position Long Flat Oval Solid Line	555426-1	N/A	N/A	5-555426-3	5-555426-3	5-555426-4
6/6-Position Long Flat Oval Stranded Line	555176-1	N/A	N/A	5-555176-3	5-555176-3	N/A
6/6-Position Long Round Stranded Line	555177-1	N/A	N/A	5-555177-3	5-555177-3	N/A

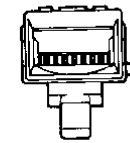
### 8-Position

Photo-109865-2



Flat Oval Cable

Optional Key



Round Cable

Optional Key

Description	Plug Part Numbers					
	Strip	10,000/Box	1,000/Box	500/Box	100/Box	25/Bag
8/8-Position Flat Oval Solid Line	554720-1	5-554720-1	N/A	5-554720-2	5-554720-3	5-554720-4
8/8-Position Flat Oval Stranded Line	554739-1	5-554739-1	N/A	5-554739-2	5-554739-3	5-554739-4
8/8-Position Round Solid Line	N/A	5-557315-1	N/A	5-557315-2	5-557315-3	5-557315-4
8/8-Position Round Stranded Line	554169-1	5-554169-1	N/A	5-554169-2	<b>5-554169-3</b>	<b>5-554169-4</b>
8/8-Position Small Round Cable Stranded Line	N/A	5-557961-1	N/A	5-557961-2	5-557961-3	N/A
8/8-Position Small Round Cable Solid Line	N/A	N/A	N/A	5-569215-2	N/A	N/A
8/8-Position Flat Oval Small Solid Conductor Line*	N/A	N/A	N/A	5-557972-2	5-557972-3	N/A
8/8-Position Flat Oval Small Stranded Conductor Line*	N/A	N/A	N/A	5-557973-2	5-557973-3	N/A
8/8-Position Keyed Flat Oval Solid Line	555417-1	N/A	N/A	N/A	5-555417-2	5-555417-4
8/8-Position Keyed Flat Oval Stranded Line	554743-1	N/A	N/A	5-554743-2	5-554743-3	5-554743-4
8/8-Position Keyed Round Stranded Line	554170-1	N/A	N/A	5-554170-2	5-554170-3	5-554170-4

\*Small conductor products are for .029 - .034 [.737 - .864] OD conductors. Small Conductor product housings are tinted blue to differentiate from Standard Product.  
Standard products cover .029 - .039 [.737 - .991] when a small conductor product does not exist.