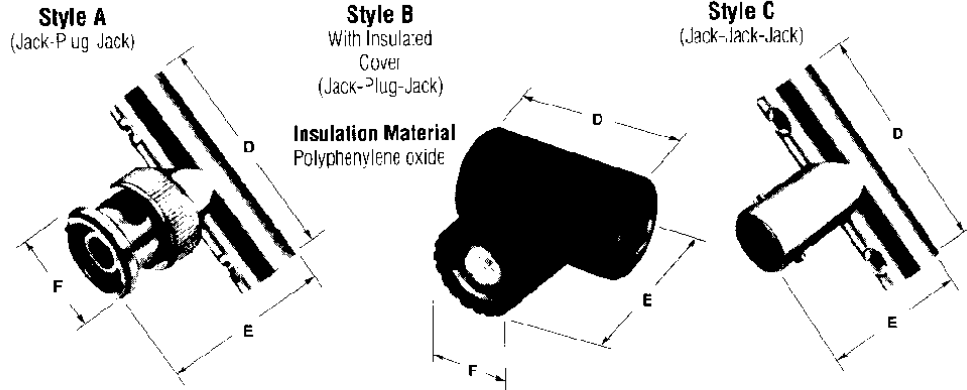


BNC Connectors, 50 Ohm (Continued)

Tee Adapters



Insulation Material
Polyphenylene oxide

BNC Connectors

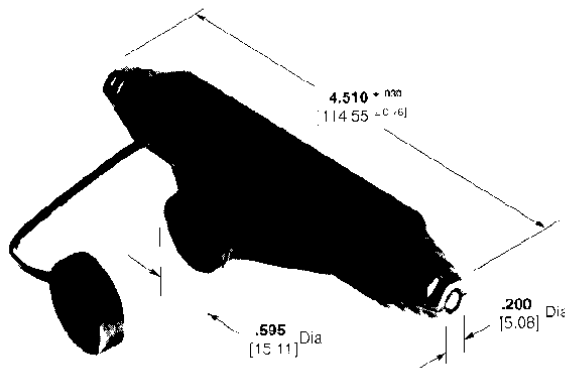
| Style | Body Material and Plating | Center Contact Material and Plating | Dielectric | Dimensions | | | Part No. | Comparable UG/U Connector | Packaging Number Per Pkg. |
|-------|---------------------------|-------------------------------------|------------|------------------|------------------|-----------------|--|---------------------------|---------------------------|
| | | | | D | E | F | | | |
| A | Brass, Nickel | BE CU, Gold (30) [†] | TEFLON | 1.281 [32.54] | 1.031 [26.19] | .562 [14.27] | 221543-2 | 274A | Bulk (100) |
| | | PH BR, Gold (15) [‡] | Acetal | 1.300 [33.02] | 1.075 [27.31] | .571 [14.50] | 413592-2 | — | Bulk (100) |
| | | PH BR, Silver (200) [‡] | Acetal | 1.300 [33.02] | 1.075 [27.31] | .571 [14.50] | 413592-4 | — | Bulk (100) |
| | | BE CU, Gold (30) [†] | Acetal | 1.300 [33.02] | 1.075 [27.31] | .571 [14.50] | 413592-6 | — | Bulk (100) |
| | | BE CU, Silver (200) [‡] | Acetal | 1.300 [33.02] | 1.075 [27.31] | .571 [14.50] | 413592-8 | — | Bulk (100) |
| | Zinc, Nickel | PH BR, Gold (15) [‡] | Acetal | 1.300 [33.02] | 1.075 [27.31] | .571 [14.50] | 413592-9 | — | Individual (1)5 |
| | | PH BR, Silver (200) [‡] | Acetal | 1.300 [33.02] | 1.075 [27.31] | .571 [14.50] | 1-413592-0 | — | Individual (1)5 |
| | | BE CU, Silver (200) [‡] | Acetal | 1.300 [33.02] | 1.075 [27.31] | .571 [14.50] | 1-413592-1 | — | Individual (1) |
| | | BE CU, Gold (30) [†] | Acetal | 1.300 [33.02] | 1.075 [27.31] | .571 [14.50] | 1-413592-4 | — | Bulk |
| | | PH BR, Silver (200) [‡] | Acetal | 1.300 [33.02] | 1.075 [27.31] | .571 [14.50] | 1-413592-5 | — | Bulk (5) |
| B | Brass, Nickel | PH BR, Gold (15) [‡] | Acetal | 1.281 [32.54] | 1.031 [26.19] | .562 [14.27] | 329518 | 274B | Individual (1) |
| | | PH BR, Silver (200) [‡] | Acetal | 1.281 [32.54] | 1.031 [26.19] | .562 [14.27] | 329518 | 274B | Individual (1) |
| | Zinc, Nickel | PH BR, Gold (15) [‡] | Acetal | 1.281 [32.54] | 1.225 [31.12] | .675 [17.15] | 413366-1 ¹ 413366-2 ² | — | Bulk (100) |
| C | Brass, Nickel | PH BR, Gold (15) [‡] | Acetal | 1.281 [32.54] | 1.225 [31.12] | .675 [17.15] | 413366-3 ^{2,3} | — | Bulk (100) |
| | | BE CU, Silver (200) [‡] | TEFLON | 1.281 [32.54] | .920 [23.37] | — | 221988-1 | — | Bulk (100) |
| | Zinc, Nickel | PH BR, Gold (30) [†] | Acetal | 1.281 [32.54] | .930 [23.62] | — | 414311-1 | — | Bulk (100) |

- [†]Black insulation cover
- [‡]Gray insulation cover
- ¹Without insulation cap
- ²(Microinches min thickness)
- ³(Special graphics)

Tee Adapter Covers

Material—Polypropylene general purpose

| Color | Part No. |
|-------|----------|
| Black | 221586-1 |
| Ivory | 221586-3 |



For drawings, technical data or samples, contact your AMP sales engineer or call the AMP Product Information Center 1 800 522-6752. Dimensions are in inches and millimeters unless otherwise specified. Values in brackets are metric equivalents. Specifications subject to change. Consult AMP Incorporated for latest specifications.