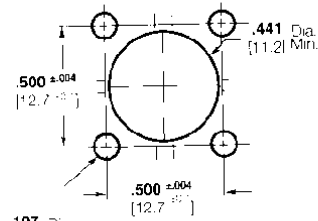
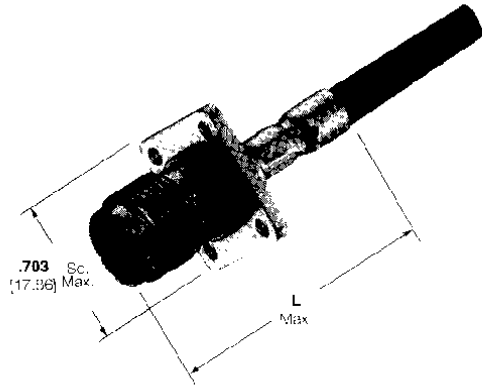


TNC Connectors, 50 Ohm (Continued)

Panel Jacks, Crimp



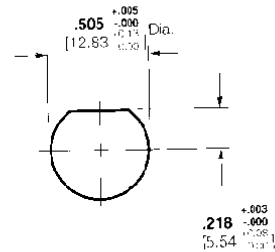
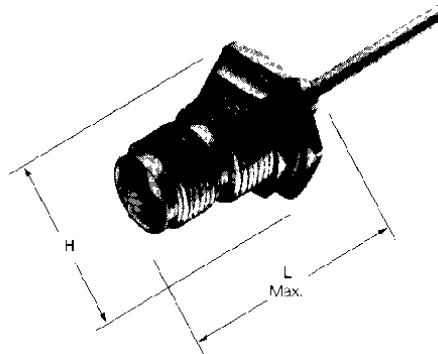
Recommended Panel Cutout

TNC Connectors

Connector Cable Range Selection Code†	RG/U Cable	Termination Type	Center Contact Plating	Body Plating	Dielectric	Style	M39012/ Military No. and/or Comments	Part No.	Dim. L	Style
D	58, 58A, 58B, 58C	Dual Crimp	Gold	Silver	TEFLON	Mil Type	29B3035	225348-2	1.375 34.93	220045-2

†Refer to pages 14 and 15 for code specifications.

Bulkhead Jacks for Semi-Rigid Cable, Rear Mount



Maximum Panel Thickness .250 [6.35]

Recommended Panel Cutout

H = .687 [17.45] max. across flats, .800 [20.32] max. across points.

Connector Cable Range Selection Code†	RG/U Cable	Termination Type	Center Contact Plating	Body Plating	Dielectric	Style	M39012/ Military No. and/or Comments	Part No.	Dim. L	Style
O	407 Semi-Rigid/ 14	Crimp	Gold	Nickel	TEFLON	Mil Type	—	228502-1	1.000 25.4	*
P	405 Semi-Rigid/ 086	Crimp	Gold	Nickel	TEFLON	Mil Type	—	228507-1	1.169 29.7	**

†Refer to pages 14 and 15 for code specifications.

*Tooling— Hand Tool 59980-1, Requires (2) Crimping Dies 312253-1 and (1) Locator 220220-2.

**Tooling— Hand Tool 59980-1, Requires (2) Crimping Dies 312253-2 and (1) Locator 220221-2.