



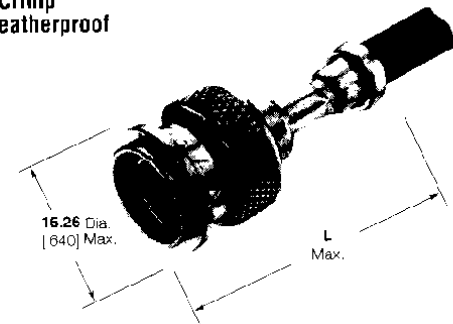
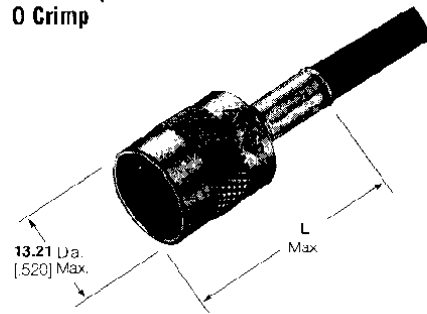
## RF Coax Connectors

### TNC Connectors, 50 Ohm

Plugs, Crimp

Hex Crimp and  
O Crimp

Mil Type  
O Crimp  
Weatherproof



RG/U Cable	Termination Type	Center Contact Plating	Body Plating	Dielectric	Style	Comments	Dim. L	CERTI-CRIMP Hand Tool with Integral Die	Interchangeable Dies for PRO-CRIMPER Hand Tool 354940-1 or PRO-CRIMPER Adapter 679304-1	Interchangeable Dies for Hand Tool 69710-1 & 626 Pneu. Head 318161-1	Part No.
174, 188, 188A, 316	Hex Crimp	Gold	Nickel	Polypropylene	Commercial	—	31.24 1.230	—	58436-3	—	222506-5
179, 179A, 179B, 161, 187, 187A, Belden 9221	Hex Crimp	Gold	Nickel	Polypropylene	Commercial	—	31.24 1.230	—	58436-3	—	222506-5
RC316, 188 Double Braid	Hex Crimp	Gold	Nickel	Polypropylene	Commercial	—	31.24 1.230	—	58436-3	—	222506-9
180, 180A, 180B, 195, 195A	Hex Crimp	Gold	Nickel	Polypropylene	Commercial	—	31.24 1.230	—	58436-3	—	222506-7
58, 58A, 58B, 58C	Hex Crimp	Gold	Nickel	Polypropylene	Commercial	—	31.25 1.230	—	58436-1 <sup>1</sup>	—	222506-1
	O Crimp	Gold	Silver	TEFLON	Mil Type	—	34.93 1.375	220045-2	—	—	225550-2
58, 58A, 58B, 58C, 141, 141A, 3C3	O Crimp	Gold	Nickel	TEFLON	Mil Type	Weatherproof	34.93 1.375	220045-2	—	—	225555-2
	O Crimp	Gold	Nickel	Polypropylene	Commercial	—	26.8 1.055	220187-1	58435-1 <sup>1</sup>	22027-1	227000-5
223, 55, 55A, 55B	Hex Crimp	Gold	Nickel	Polypropylene	Commercial	—	31.24 1.230	—	58436-1	—	1-222506-1
142, 142A, 142B, 400	Hex Crimp	Gold	Nickel	Polypropylene	Commercial	—	31.24 1.230	—	58436-1	—	222506-4
	O Crimp	Gold	Silver	TEFLON	Mil Type	—	34.29 1.350	220045-2	—	—	225345-6
	O Crimp	Gold	Silver	TEFLON	Mil Type	Weatherproof	34.93 1.375	220045-2	—	—	225550-6
	O Crimp	Gold	Nickel	TEFLON	Mil Type	Weatherproof	34.93 1.375	220045-2	—	—	225555-6
124, 140, 210, 62, 62A, 62B, 59, 59A, 59B, Belden 9291, 9209, 9269	Hex Crimp	Gold	Nickel	Polypropylene	Commercial	—	29.72 1.170	—	58436-1	—	222506-2
E, 8A, 213	O Crimp	Gold	Nickel	Polypropylene	Commercial	—	26.8 1.055	—	58435-1	—	227000-7
	O Crimp	Gold	Nickel	TEFLON	Mil Type	Weatherproof	50.8 2.000	220015-1	—	—	225555-7
Alpha 9847, Belden 8213, 8292	O Crimp	Gold	Silver	TEFLON	Mil Type	Weatherproof	50.68 1.995	220015-1	—	—	1-225550-3
225, 393	O Crimp	Gold	Silver	TEFLON	Mil Type	Weatherproof	50.8 2.000	220015-1	—	—	1-225550-2
	O Crimp	Gold	Silver	TEFLON	Mil Type	—	50.8 2.000	220015-1	—	—	225345-8
9, 9A, 9B, 214	O Crimp	Gold	Silver	TEFLON	Mil Type	Weatherproof	50.8 2.000	220015-1	—	—	225550-8
	O Crimp	Gold	Nickel	TEFLON	Mil Type	Weatherproof	50.8 2.000	220015-1	—	—	225555-8

<sup>1</sup>Order AMP PRO-CRIMPER Coaxial "O" Crimp Hand Tool assembly 58433-1, which includes dies 58435-1.  
<sup>2</sup>Order AMP PRO-CRIMPER Coaxial Hex Crimp Hand Tool assembly 58433-2, which includes dies 58436-1.