

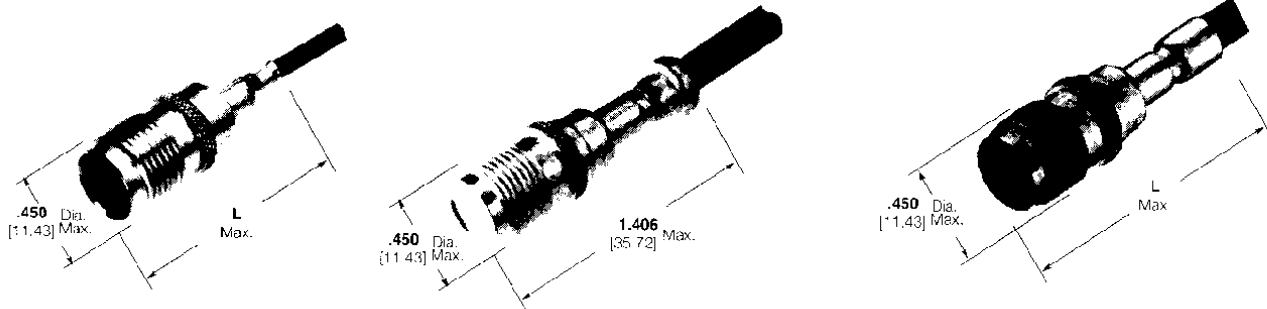
## TNC Connectors, 50 Ohm (Continued)

### Jacks, Crimp

#### Dual Crimp

#### Weatherproof

#### Mil Type



Connector Cable Range Selection Code <sup>1</sup>	RG/U Cable	Termination Type	Center Contact Plating	Body Plating	Dielectric	Style	M39012/ Military No. and/or Comments	Part No.	Dim. L	CERTI-CRIMP Hand Tool with Integral Die	Interchangeable Dies for PRO-CRIMPER Hand Tool 354940-1 or PRO-CRIMPER Adapter 678304-1	Interchangeable Dies for Hand Tool 69710-1 & 626 Pneu. Head 318161-1
B	174, 174A, 188, 188A, 316	Dual Crimp	Gold	Nickel	Polymethylpentene	Commercial		414171-3	1.200 30.48	—	318450-2	—
B3	RJ 188, 316 Double Braided	Dual Crimp	Gold	Nickel	Polymethylpentene	Commercial		414171-4	1.200 30.48	—	58535-1	—
D	58, 58A, 58B, 58C	Dual Crimp	Gold	Nickel	TEFLON	Mil Type	—	225400-2	1.375 34.93	220045-2	—	—
		Dual Crimp	Gold	Silver	TEFLON	Mil Type	27B0005 Weatherproof	225551-2	1.406 35.72	220045-2	—	—
D, D1	58, 58A, 58B, 58C, 141, 141A, 303	Dual Crimp	Gold	Nickel	Polymethylpentene	Commercial		414171-1	1.175 29.85	—	220189-1	—
D1	141, 141A, 303	Dual Crimp	Gold	Silver	TEFLON	Mil Type	27B0015 Weatherproof	225551-5	1.406 35.72	220045-2	—	—
E	55, 55A, 55B, 223	Dual Crimp	Gold	Silver	TEFLON	Mil Type	27B0016	225551-1	1.406 35.72	220045-2	—	—
		Dual Crimp	Gold	Nickel	Polymethylpentene	Commercial		414171-6	1.175 29.85	—	220189-1	—
E <sup>2</sup>	142, 142A, 142B, 400	Dual Crimp	Gold	Silver	TEFLON	Mil Type	27B0006 Weatherproof	225551-6	1.406 35.72	220045-2	—	—
		Dual Crimp	Gold	Nickel	Polymethylpentene	Commercial		414171-5	1.350 34.29	—	220189-1	—
G	124, 140, 210, 62, 62A, 623, 59, 59A, 59B, Beldon 92591, 9209, 9209	Dual Crimp	Gold	Nickel	TEFLON	Mil Type	—	225400-3	1.218 30.94	220045-3	—	—
		Dual Crimp	Gold	Nickel	Polymethylpentene	Commercial		414171-2	1.175 29.85	—	220189-2	—

<sup>1</sup>Refer to pages 14 and 15 for code specifications.