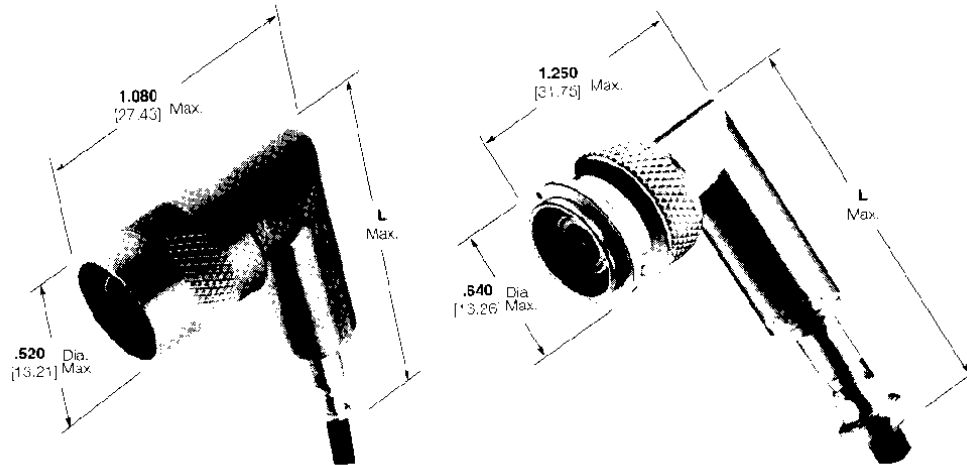


TNC Connectors, 50 Ohm (Continued)

Right-Angle Plugs, Crimp

Dual Crimp

Weatherproof



TNC Connectors

Connector Cable Range Selection Code†	RG/U Cable	Termination Type	Center Contact Plating	Body Plating	Dielectric	Style	M39012/Military No. and/or Comments	Part No.	Dim. L	CERTI-CRIMP Hand Tool with Integral Die	Interchangeable Dies for PRO-CRIMPER Hand Tool 354940-1 or PRO-CRIMPER Adapter 678304-1	Interchangeable Dies for Hand Tool 69710-1 & 626 Pneu. Head 318161-1
3	174, 174A, 188, 188A, 316	Dual Crimp	Gold	Nickel	Polymethylpentene	Commercial	—	414173-3	1.505 38.23	—	318450-2	—
B3	RD 188, 316 Double Braid	Dual Crimp	Gold	Nickel	Polymethylpentene	Commercial	—	414173-4	1.505 38.25	—	58539-1	—
D	58, 58A, 58B, 58C	Dual Crimp	Gold	Silver	TEFLON	Mil Type	Weatherproof	225554-2	1.875 47.63	220045-2	—	—
		Dual Crimp	Gold	Nickel	TEFLON	Mil Type	Weatherproof	225559-2	1.875 47.63	220045-2	—	—
D, C1	58, 58A, 58B, 58C, 141, 141A, 303	Dual Crimp	Gold	Nickel	Polymethylpentene	Commercial	—	414173-1	1.505 38.23	—	220189-1	—
D1	141, 141A, 303	Dual Crimp	Gold	Silver	TEFLON	Mil Type	—	225349-5	1.843 46.82	220045-2	—	—
E	55, 55A, 55B, 223	Dual Crimp	Gold	Nickel	Polymethylpentene	Commercial	—	414173-6	1.505 38.23	—	220189-1	—
E*	142, 142A, 142B, 400	Dual Crimp	Gold	Silver	TEFLON	Mil Type	Weatherproof	225554-6	1.875 47.63	220045-2	—	—
		Dual Crimp	Gold	Nickel	Polymethylpentene	Commercial	—	414173-5	1.505 38.23	—	220189-1	—
E	124, 143, 21C, 62, 62A, 62B, 59, 59A, 59B, Belden 9291, 9209, 9269	Dual Crimp	Gold	Nickel	TEFLON	Mil Type	—	225403-3	1.687 42.65	220045-3	—	—
		Dual Crimp	Gold	Nickel	Polymethylpentene	Commercial	—	414173-2	1.505 38.23	—	220189-2	—
M	8, 8A, 213	Dual Crimp	Gold	Nickel	TEFLON	Mil Type	Weatherproof	225559-8	2.500 63.5	220015-1	—	—
M4	393, 225	Dual Crimp	Gold	Silver	TEFLON	Mil Type	Weatherproof	1-225554-1	2.500 63.5	220015-1	—	—
		Dual Crimp	Gold	Silver	TEFLON	Mil Type	—	225349-9	2.343 59.52	220015-1	—	—
N	9, 9A, 9B, 214	Dual Crimp	Gold	Silver	TEFLON	Mil Type	Weatherproof	225554-9	2.500 63.5	220015-1	—	—

†Refer to pages 14 and 15 for code specifications.

For drawings, technical data or samples, contact your AMP sales engineer or call the AMP Product Information Center 1-800-522-6752. Dimensions are in inches and millimeters unless otherwise specified. Values in brackets are metric equivalents. Specifications subject to change. Consult AMP Incorporated for latest specifications.