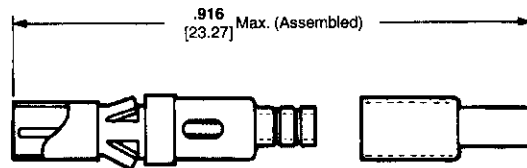
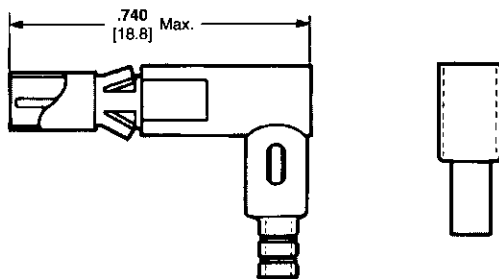


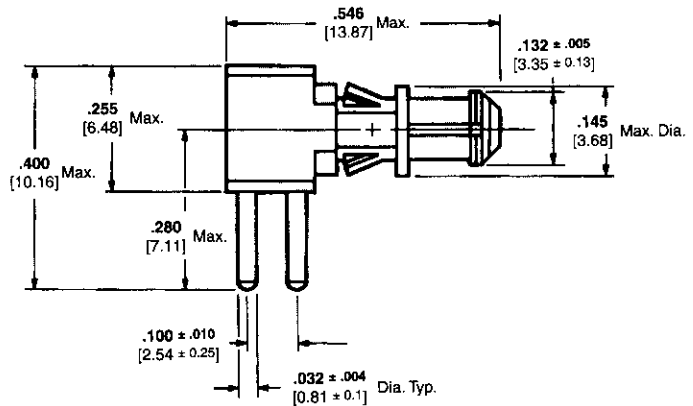
Cable Pin



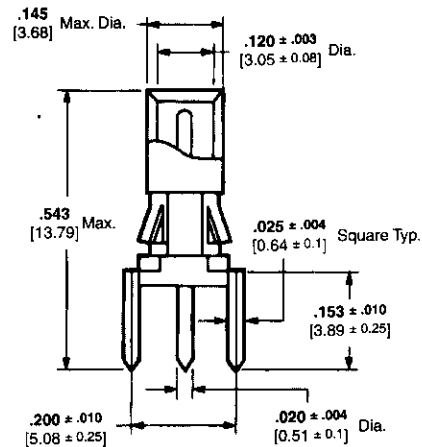
Cable Socket



Right-Angle Cable Socket



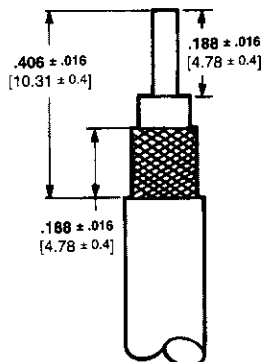
Right-Angle Pin
for PC Board Application
Part Number 227602-1
Plated .000030 [0.00076] gold



Vertical Socket
for PC Board Application
Part Number 227603-1

Cable Size	Contact Style	Part No.	Application Tool Part No.
RG 178/U Double Braid RG 196/U	Cable Pin	227604-1	220215-1
	Cable Socket	227605-1	
	Right-Angle Cable Socket	227606-1	

Extraction Tool Part Number 220216-1



Recommended Strip Length

Notes:

- Center contacts are plated with .000030 [0.00076] gold.
- For .125 [3.18] maximum thick pc boards.

Electrical Characteristics

- Nominal Impedance** — 50 ohms
- Frequency Range** — 0-2 GHz
- Maximum Operating Voltage (Sea Level)** — 150 VAC RMS

Mechanical Characteristics

- Operating Temperature Range** — -67°C to +257°F [-55°C to +125°C]
- Cable Retention** — 15 lb. [66.7N] min. (RG 178 type double braid)

Contact Materials

- Stainless Steel** — QQ-S-766
- Gold Plate** — MIL-G-45204
- Nickel Plate** — QQ-N-290
- Beryllium Copper** — QQ-C-530
- TEFLON TFE** — MIL-P-19468A
- Brass** — QQ-B-626

Ferrule Material

- Brass** — MIL-C-50, tin plate per MIL-T-10727
- TEFLON** — Trademark of E.I. duPont, Inc.