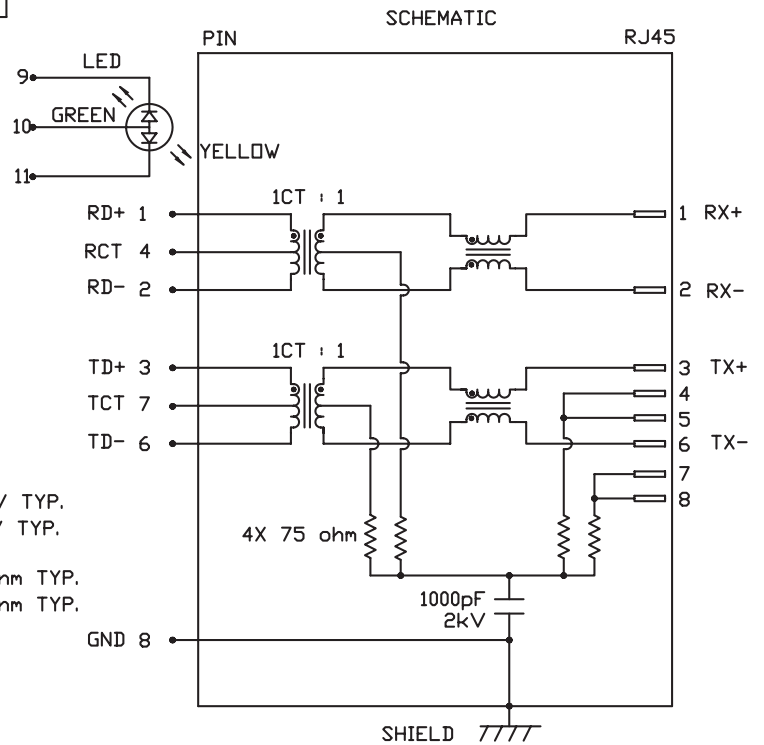


INTEGRATED CONNECTOR MODULES
0810-2H6R-28 10/100Base-TX MagJack® 2 x 6 with LEDs

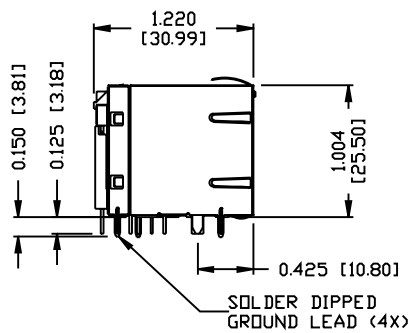
LED POLARITY			
PIN 9	PIN 10	PIN 11	COLOR
-	+	/	GREEN
/	+	-	YELLOW

ELECTRICAL CHARACTERISTICS @ 25°C

RETURN LOSS (MIN.)				
1MHz-30MHz			-18 dB	
60MHz-80MHz			-12 dB	
INSERTION LOSS				
100KHz TO 100MHz			-1.1 dB	
OCL @ 0.1V, 100KHz				
8mA DC BIAS			350µH MIN.	
URNS RATIO			1CT : 1CT ±3%	
XTALK				
100KHz TO 100MHz			-35 dB MIN.	
LED				
V _F (FORWARD VOLTAGE)	IF=20mA	YELLOW GREEN	2.2V TYP.	
		YELLOW	2.1V TYP.	
λ _D (DOMINANT WAVELENGTH)	IF=20mA	YELLOW GREEN	570nm TYP.	
		YELLOW	590nm TYP.	
HIPOT (Isolation Voltage)			1500 V _{rms}	



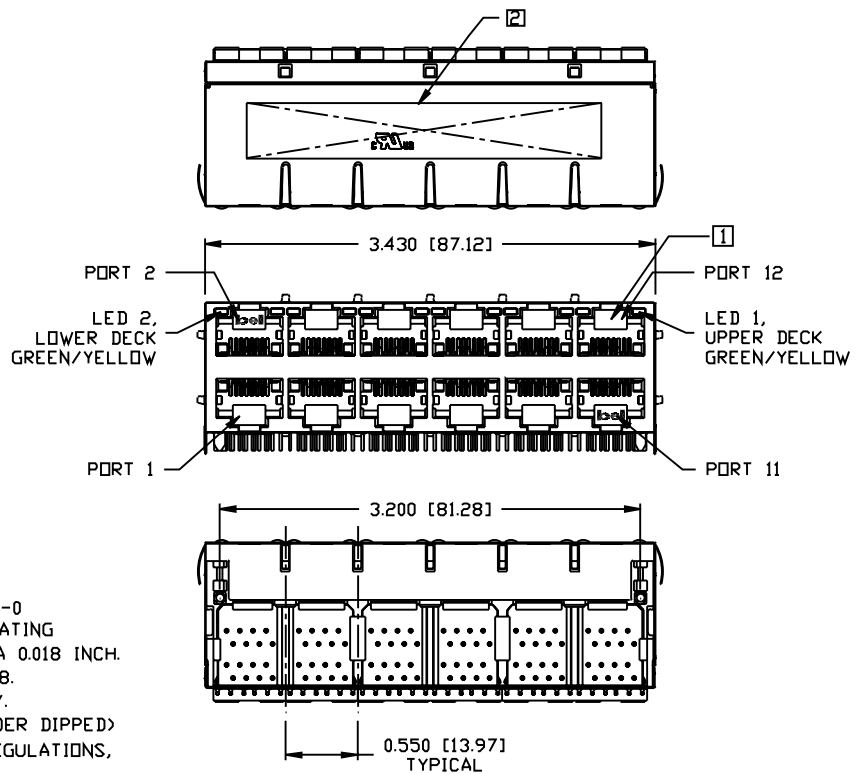
INTEGRATED CONNECTOR MODULES
0810-2H6R-28 10/100Base-TX MagJack® 2 x 6 with LEDs



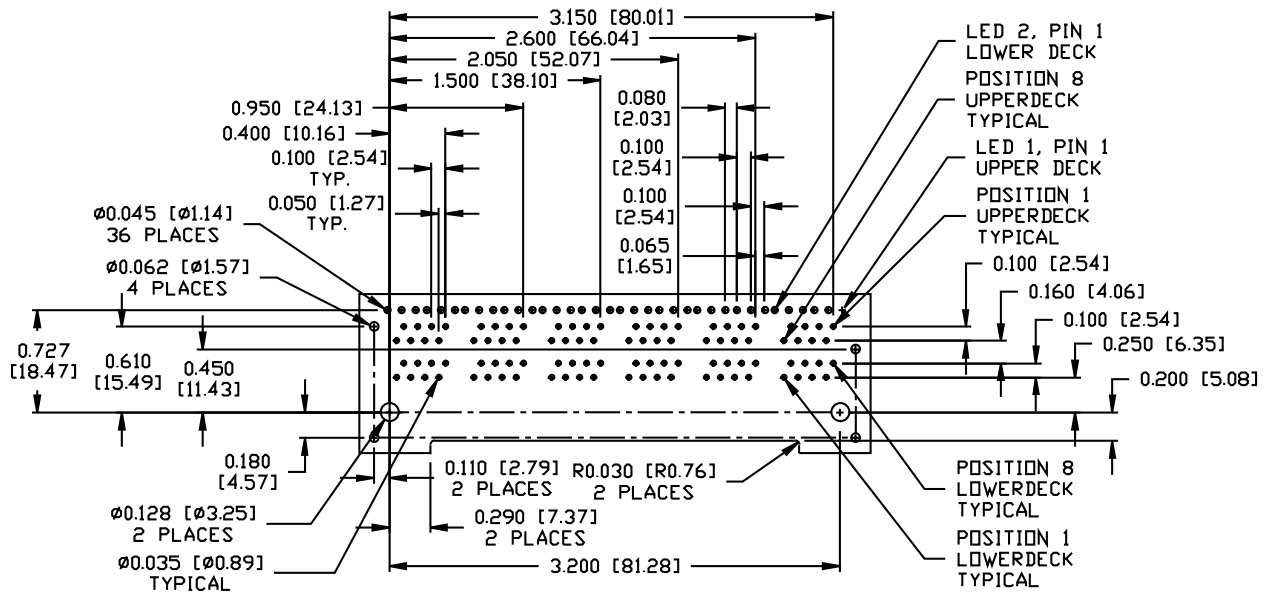
NOTES:

- PLASTIC HOUSING: THERMOPLASTIC PBT
FLAMMABILITY RATING UL 94V-0
- CONTACT PLATING: 30 MICRO-INCH HARD GOLD PLATING
- OUTPUT PINS: TIN-COATED COPPER WIRE, DIA 0.018 INCH.
- SOLDERABILITY: PER MIL STD. 202, METHOD 208.
- METAL SHIELD: NICKEL PLATED COPPER ALLOY.
<ALL GROUND LEADS ARE SOLDER DIPPED>

- 1 JACK CAVITY CONFORMS TO FCC RULES AND REGULATIONS, PART 68 SUBPART F.
 - 2 MARK PART WITH MFG LOGO, MFG NAME, PART NUMBER, AND DATE CODE.
- UL RECOGNIZED - FILE #E196366 AND E169987.



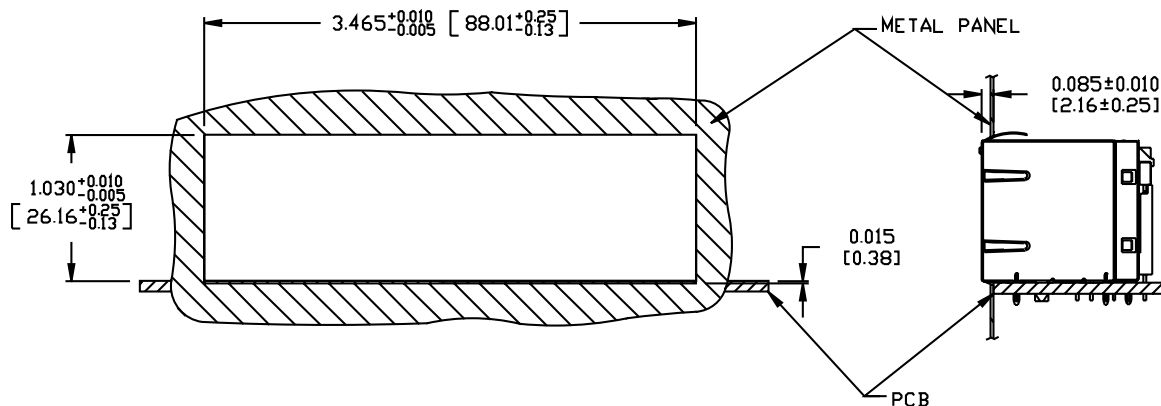
INTEGRATED CONNECTOR MODULES
0810-2H6R-28 10/100Base-TX MagJack® 2 x 6 with LEDs



PC BOARD LAYOUT VIEWED FROM COMPONENT SIDE

INTEGRATED CONNECTOR MODULES
0810-2H6R-28 10/100Base-TX MagJack® 2 x 6 with LEDs

SUGGESTED PANEL OPENING



NOTES:

THE DISTANCE OF PANEL INSIDE SURFACE RELATIVE TO FRONT SURFACE OF PART IS ONLY A SUGGESTION. IN CASE THIS DISTANCE IS DIFFERENT, THE REQUIRED PANEL OPENING DIMENSIONS CHANGE ACCORDINGLY.

PACKING INFORMATION

PACKING TRAY : 0200-9999-A9 (TOP)
 0200-9999-B6 (BOTTOM)

PACKING QUANTITY : 15 PCS FINISHED GOODS PER TRAY
 7 TRAY (105 PCS FINISHED GOODS) PER CARTON BOX

NOTE : CARDBOARDS ARE PLACED BETWEEN LAYERS OF PACKING TRAY INSIDE CARTON BOX
 (INCLUDE THE UPPERMOST AND LOWERMOST TRAY)