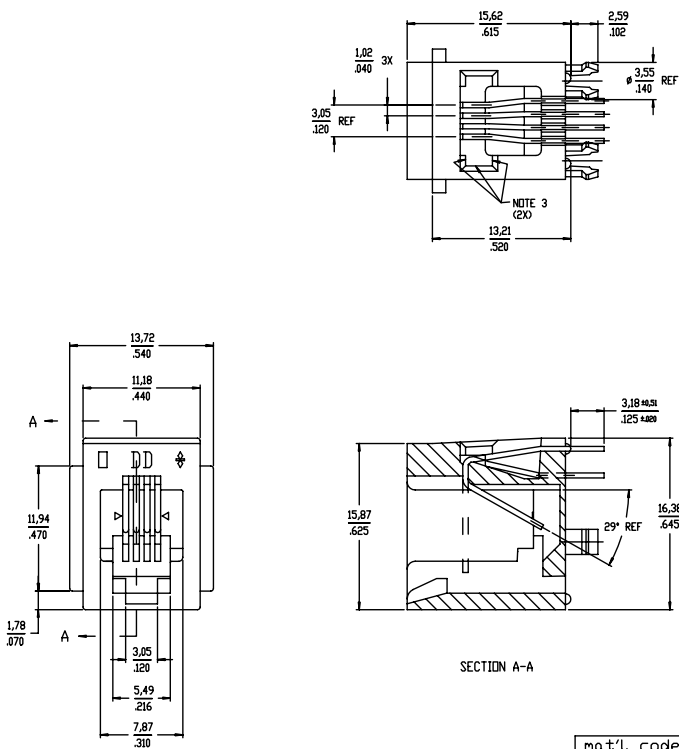


All rights strictly reserved. Reproduction or issue to third parties in any form
 whatever is not permitted without written authority from the proprietor.
 Property of © FCI ELECTRONICS Copyright FCI ELECTRONICS INC.

Tous droits strictement réservés. Reproduction ou communication à des tiers interdite
 sous quelque forme que ce soit sans autorisation écrite du propriétaire.
 Propriété de © FCI ELECTRONICS. Droits de reproduction FCI ELECTRONICS INC.



PRODUCT NO
SEE CHART



SECTION A-A

mat'l code		tolerances unless otherwise specified		CUSTOMER COPY		FCI www.fciconnect.com	
l	tr	ec	no	dr	date	linear	projection
N		N08-0170	SH		10/09/08		
H	EOR	V61255	IC	LDH	020C196	angles	4 POS VERT. SNAP PEG
J	EOR	V61024	LV	GREEN	09JAN97	± 2'	PCB III MOD JACK ASSY
K	S00022	LDW			01/25/00	enr	product family
L	N04-0102	YS			11/23/04	chr	MODJACK
M	N08-0097	SH			09/25/08	app	code
sheet		revision		M	M	size	
index		sheet		1	2	dwg no	
						A4	
						90511	
						sheet	
						lof	

path no.

1 2

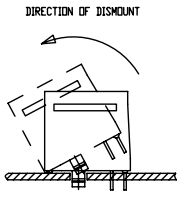
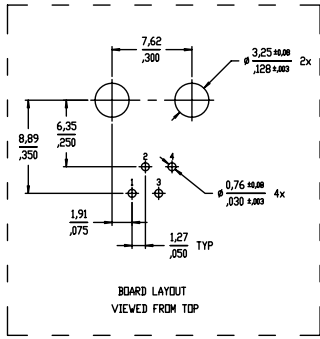
PDM: Rev:N 3 STATUS:Released Printed: Aug 01, 2010

Tous droits strictement réservés. Reproduction ou communication à des tiers interdite sous quelque forme que ce soit sans autorisation écrite du propriétaire. Propriété de © FCI ELECTRONICS. Droits de reproduction FCI ELECTRONICS INC.

All rights strictly reserved. Reproduction or issue to third parties in any form whatever is not permitted without written authority from the proprietor. Property of © FCI ELECTRONICS. Copyright FCI ELECTRONICS INC.

1 2				3 4			
PRODUCT NO.	POSITIONS LOADED	CONTACT PLATING	NOTES	PRODUCT NO.	POSITIONS LOADED	CONTACT PLATING	REMARKS
90511-001 -001LF -001HLF	ALL	GXT	BLACK	90511-101 -101LF -101HLF	ALL	GXT	NOT TOOLED
-002 -002LF -002HLF	ALL	30u" / ,76u Au	BLACK	-102 -102LF -102HLF	ALL	30u" / ,76u Au	NOT TOOLED
-003 -003LF	ALL	GXT	GREY				
-004 -004LF	ALL	30u" / ,76u Au	GREY				
-005 -005LF -005HLF	ALL	50u" / 1,27u Au	BLACK				

LEAD FREE PRODUCT NO.
MEETS PIP PROCESS PRODUCT NO.



DETAIL A
NOTE 5

NOTES :

- P/N/D WITH DASH 0XX -NORMAL WAVE SOLDERING APPLICATION. P/N/D WITH DASH 1XX -IR REFLOW APPLICATION (NOT TOOLED).
- PACKAGING SPEC. BUS-14-164.
- SCRATCH MARKS ACCEPTABLE ON THESE SURFACES.
- JACK IS FOR 1.57/.062 THICK PCB.
- SHOULD THE JACK NEED TO BE DISMOUNTED FROM THE PCB, PLS REMOVE JACK AS PER RECOMMENDED METHOD HEREIN (DETAIL A). NIPPING THE LEGS OF THE PEG TOGETHER IS DISALLOWED, OTHERWISE LEG BREAKAGE MAY OCCUR.
- THESE DIMENSIONS ARE TAKEN FROM THE TOP OF THE PEG.
- GXT IS 0.76um / 30u" MIN GXT WITH Au FLASH OVER 1.27 um / 50u" MIN Ni.
- THE PRODUCT MEETS EUROPEAN UNION DIRECTIVES AND OTHER COUNTRY REGULATIONS AS DESCRIBED IN GS-22-008.
- THE HOUSING WILL WITHSTAND EXPOSURE TO 260°C PEAK TEMPERATURE FOR 10 SECONDS IN A WAVE SOLDER APPLICATION WITH A 1.60mm MINIMUM THICK CIRCUIT BOARD.
- IF LF P/N PACKAGING MEETS GS-14-920 SPECIFICATION.
- EQUIVALENT THICKNESS Au AND GXT PLATING HAVE SAME FUNCTION AND THEY ARE ALTERNATIVE BY THE CUSTOMER.

mat'l. code		tolerances unless otherwise specified		CUSTOMER COPY		FCI www.fciconnect.com	
l	tr	ec	no	dr	date	linear	.0 ± 0.25
N						projection	.00 ± 0.13
						angles	.000 ± 0.05
						dir	± 2'
						engr	M CHENG 7/13/01
						chr	M CHENG 7/13/01
						app	M CHENG 7/18/01
							J HSI 7/20/01
sheet	revision	M	M			scale	MM
index	sheet	1	2			product family	MODJACK
						size	A4
						dwg no	90511
						code	NAN
						sheet	2 of

path no.