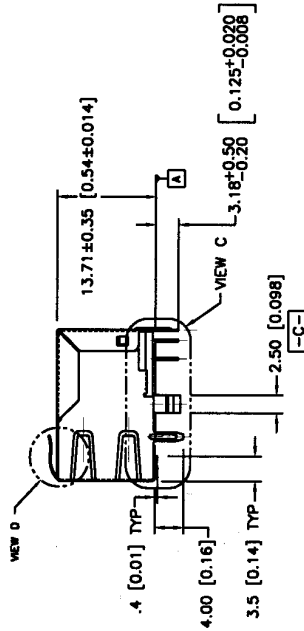
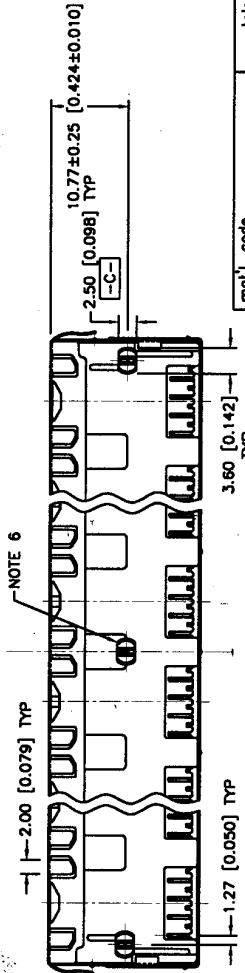
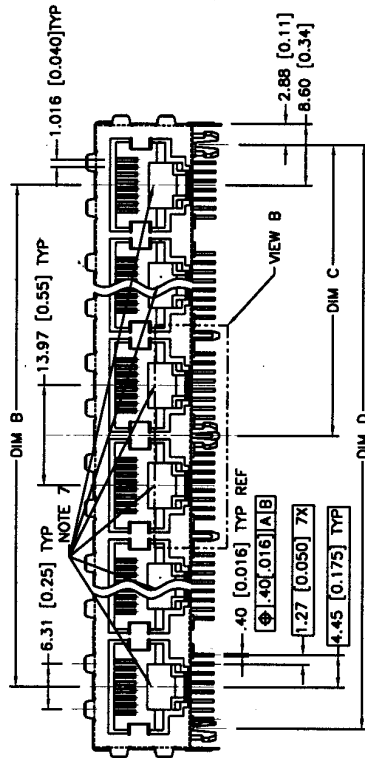
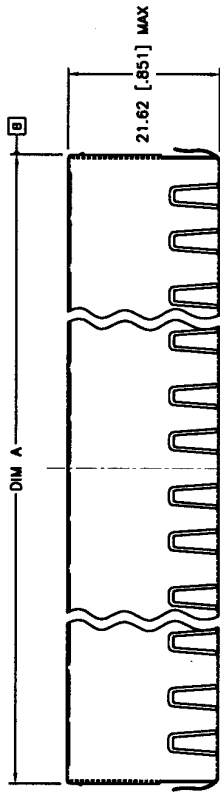


PRODUCT NO
SEE TABLE



mat'l. code		tolerances unless otherwise specified		CUSTOMER COPY	
lir	ecn no	dr	date	projection	title
B	V91281	LP	6/9/99	⊕	MPS SERIES, RJ45
C	V92058	LP	10/20/99	MM/INCH	THRU HOLE SNAP PEG ASSY
D	V00653	CSP	7/17/00	scale	product family MOD JACK
E	V10984	BKG	3/9/01	1:1	size (dwg no)
F	V12561	LP	10/23/01		A
G	V03-1103	PJ	10/23/01		code
H	MDS-0074	MHT	4/22/05		74838
sheet	revision	H	G		sheet
index	sheet	1	2	3	4
					1 of 5

www.fcconnect.com
MPS SERIES, RJ45
THRU HOLE SNAP PEG ASSY
product family MOD JACK
size (dwg no) A
code 74838
sheet 1 of 5

ACAD PDM: Rev:H STATUS:Released 22526
Printed: Mar 12, 2007

Tous droits strictement reserves. Reproduction ou communication a des tiers interdite sous quelque forme que ce soit sans autorisation écrite du propriétaire. Propriete de c FCI. Droits de reproduction FCI.



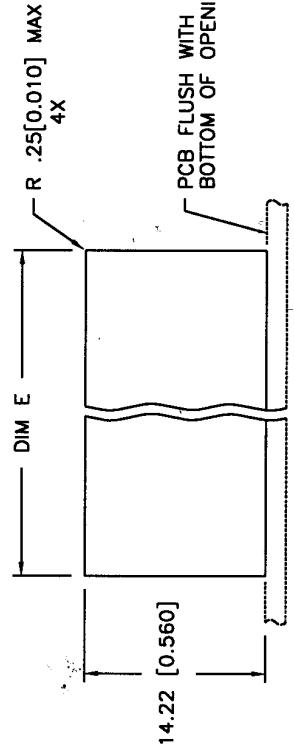
All rights strictly reserved. Reproduction or issue to third parties in any form whatever is not permitted without written authority from the proprietor.

PRODUCT NO. ^①	NO. OF PORTS	DIM A ^{+ .60 [0.024] - .00 [0.000]}	DIM B	DIM C ^{± .10 [±.004]}	DIM D ^{± .15 [±.006]}	DIM E ^{± .13 [±.005]}
74838-X02Y	2	31.68 [1.247]	13.97 [0.550]	12.70 [0.500]	25.40 [1.000]	32.11 [1.264]
74838-X03Y	3	45.65 [1.797]	27.94 [1.010]	19.69 [0.775]	39.37 [1.550]	46.08 [1.814]
74838-X04Y	4	59.62 [2.347]	41.91 [1.650]	26.67 [1.050]	53.34 [2.100]	60.05 [2.364]
74838-X05Y	5	73.59 [2.897]	55.88 [2.200]	33.66 [1.325]	67.31 [2.650]	74.02 [2.914]
74838-X06Y	6	87.56 [3.447]	69.85 [2.750]	40.64 [1.600]	81.28 [3.200]	87.99 [3.464]
74838-X07Y	7	101.53 [3.997]	83.82 [3.300]	47.63 [1.875]	95.25 [3.750]	101.96 [4.014]
74838-X08Y	8	115.50 [4.547]	97.79 [3.850]	54.61 [2.150]	109.22 [4.300]	115.93 [4.564]

SPRING OPTION Y	DESCRIPTION (SEE SHEET 5 FOR OPTIONAL VIEWS)
1	SPRING ON TOP, BOTTOM AND BOTH SIDES
2	NO SPRINGS
3	SPRINGS ON TOP AND BOTTOM
4	SPRINGS ON TOP, BOTTOM AND 1 PER. SIDE (STAGGERED)
5	SAME AS OPTION 4 EXCEPT OPPOSITE STAGGER

PLATING CODE X	PLATING ^⑩
0	.76µm/30u" G.X.T.
3	.76µm/30u" GOLD
5	1.27µm/50u" GOLD

NOTE: PLEASE CHECK FOR AVAILABILITY, NOT ALL OPTIONS AVAILABLE



NOTES:

- HOUSING MAT'L: HIGH TEMP. THERMOPLASTIC, COLOR BLACK, UL94V-0.
- CONTACT MAT'L: COPPER ALLOY
MATING AREA PLATING: Au OVER Ni. (SEE TABLE).
SOLDER AREA PLATING: 2.54µm/100u" MIN TIN LEAD OVER Ni.
LEAD FREE OPTION:
SOLDER AREA PLATING: 2.54µm/100u" MIN PURE TIN OVER Ni.
- SHIELDING MAT'L: TIN PLATED COPPER ALLOY.
- ALL DIMENSIONS IN MILLIMETERS AND INCHES.
- SEE SHEET 5 FOR GROUND TAB CONFIGURATION.
- CENTER PEG FOR 8 PORT ONLY.
- COMPANY LOGO LOCATED IN THIS AREA.
- ADD LF SUFFIX AT THE END OF PART NUMBER FOR LEAD FREE OPTION.
- THE HOUSING WILL WITHSTAND EXPOSURE TO 260°C PEAK TEMPERATURE FOR 15 SECONDS IN A WAVE SOLDER APPLICATION WITH A 1.5mm MINIMUM THICK CIRCUIT BOARD. SEE APPLICATION NOTES/PROCEDURES IF THEY ARE AVAILABLE.
- THIS PRODUCT MEETS EUROPEAN UNION DIRECTIVES AND OTHER COUNTRY REGULATION AS DESCRIBED IN GS-22-008.
- PLATING OPTIONS:
MAY BE EITHER GOLD OR GXT PLATED AT MANUFACTURER'S OPTION.

mat'l. code		tolerances unless otherwise specified		CUSTOMER COPY		www.fci.com	
ltr	ecm no	dr	date	linear	angles	projection	title
H				.XX ±.01/.XX±.3	Ø ±.2	⊕	MPS SERIES, RJ45
				.XXX ±.005/.XXX±.13			THRU HOLE SNAP PEG ASSY
				.XXXX ±.0020/.XXX±.051			product family MOD JACK
							size dwg no
							A
							74838
							code
							213
							sheet
							3 of 5
sheet	revision						
index	sheet						

Tous droits strictement reserves. Reproduction ou communication a des tiers interdite sous quelque forme que ce soit sans autorisation écrite du propriétaire. Property of FCI. Copyright FCI.



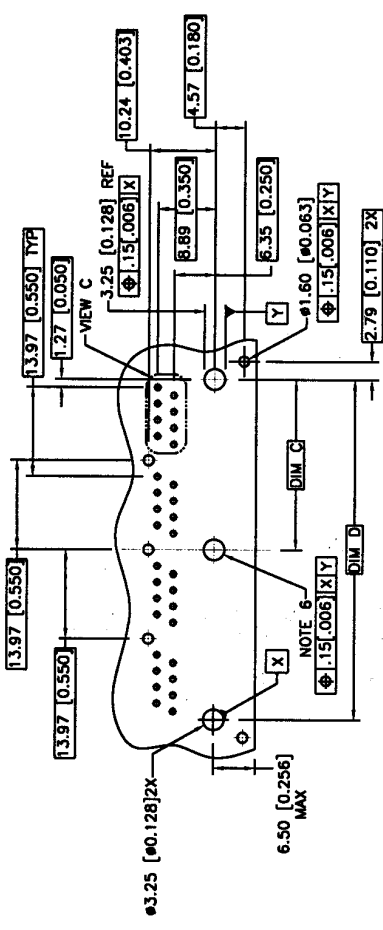
All rights strictly reserved. Reproduction or issue to third parties in any form whatever is not permitted without written authority from the proprietor.

PRODUCT NO.
SEE TABLE

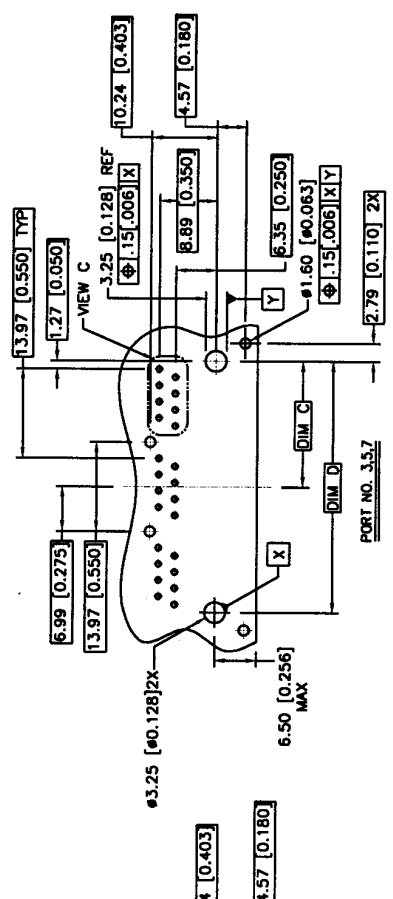
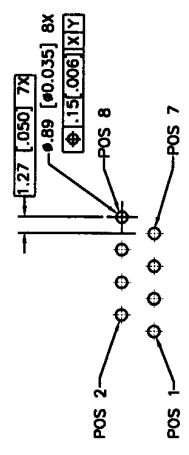
Tous droits strictement réservés. Reproduction ou communication à des tiers interdite sans aucune forme que ce soit sans autorisation écrite du propriétaire. Propriété de C.FCI. Droits de reproduction FCI.



All rights strictly reserved. Reproduction or issue to third parties in any form whatever is not permitted without written authority from the proprietor. Property of FCI. Copyright FCI.



VIEW C
SCALE 2/1
TYPICAL FOOTPRINT



RECOMMENDED P.C.B LAYOUT
AS VIEWED FROM TOP SIDE (COMPONENT SIDE)

mat'l. code		tolerances unless otherwise specified		CUSTOMER COPY		www.fciconnect.com	
ltr	ecr no	dr	date	linear	angles	projection	title
G				.XX ±.01/XX±.3	0° ±.2°	⊕	MPS SERIES, RJ45
				.XXX ±.0020/XXX±.051			THRU HOLE SNAP PEG ASSY
							product family MOD JACK
							code 213
							size/dwg no A
							sheet 4 of 5
							scale 1:1
sheet index	revision sheet						code code 22526
							74838
							4

ACAD

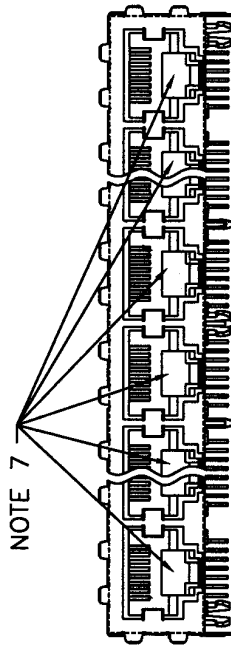
PDM: Rev:H

STATUS:Released

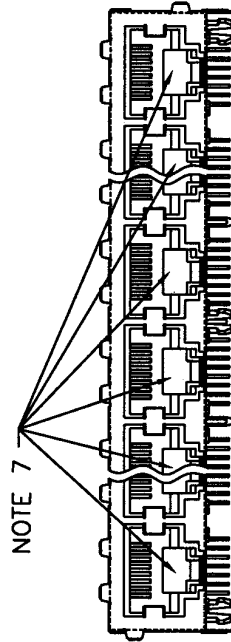
Printed: Mar 12, 2007

PRODUCT NO
SEE TABLE

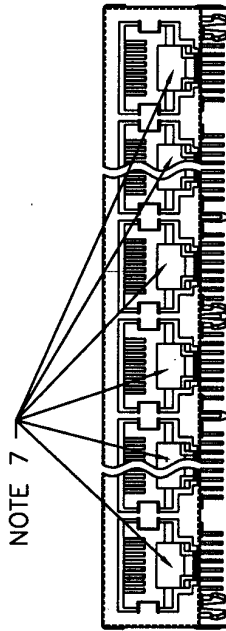
SPRING TAB CONFIGURATION OPTION Y



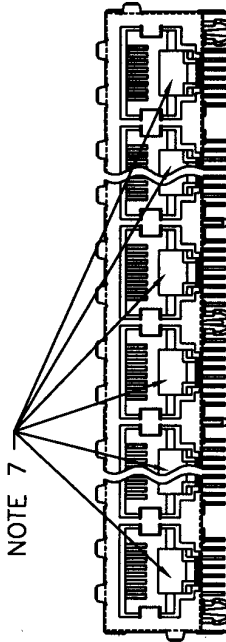
SPRING OPTION 1



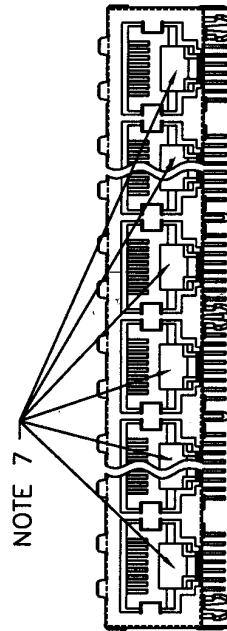
SPRING OPTION 4



SPRING OPTION 2



SPRING OPTION 5



SPRING OPTION 3

Tous droits strictement réservés. Reproduction ou communication à des tiers interdite sous quelque forme que ce soit sans autorisation écrite du propriétaire. Propriété de © FCI. Droits de reproduction FCI.



All rights strictly reserved. Reproduction or issue to third parties in any form whatever is not permitted without written authority from the proprietor. Property of FCI. Copyright FCI.

mat'l. code		tolerances unless otherwise specified		CUSTOMER COPY		FCI	
lir	ecrn no	linear	.XX ±.01/.XX±.3	projection	title	www.fciconnect.com	
G		angles	.XXX ±.005/.XXX±.13	MM/INCH	MPS SERIES, RJ45		
	dr	dr	L.POTEIGER 11/16/98	score	THRU HOLE SNAP PEG ASSY	product family	MOD JACK
	date	engr	B.MARSHALL 11/16/98	1:1		size	213
		clr	B.MARSHALL 11/16/98		A	sheet	5 of 5
		appd	B.MARSHALL 11/16/98				
sheet	revision						
index	sheet						

1 | 2 3 | 4
ACAD PDM: Rev:H STATUS:Released 22526 Printed: Mar 12, 2007

1 | 2 3 | 4