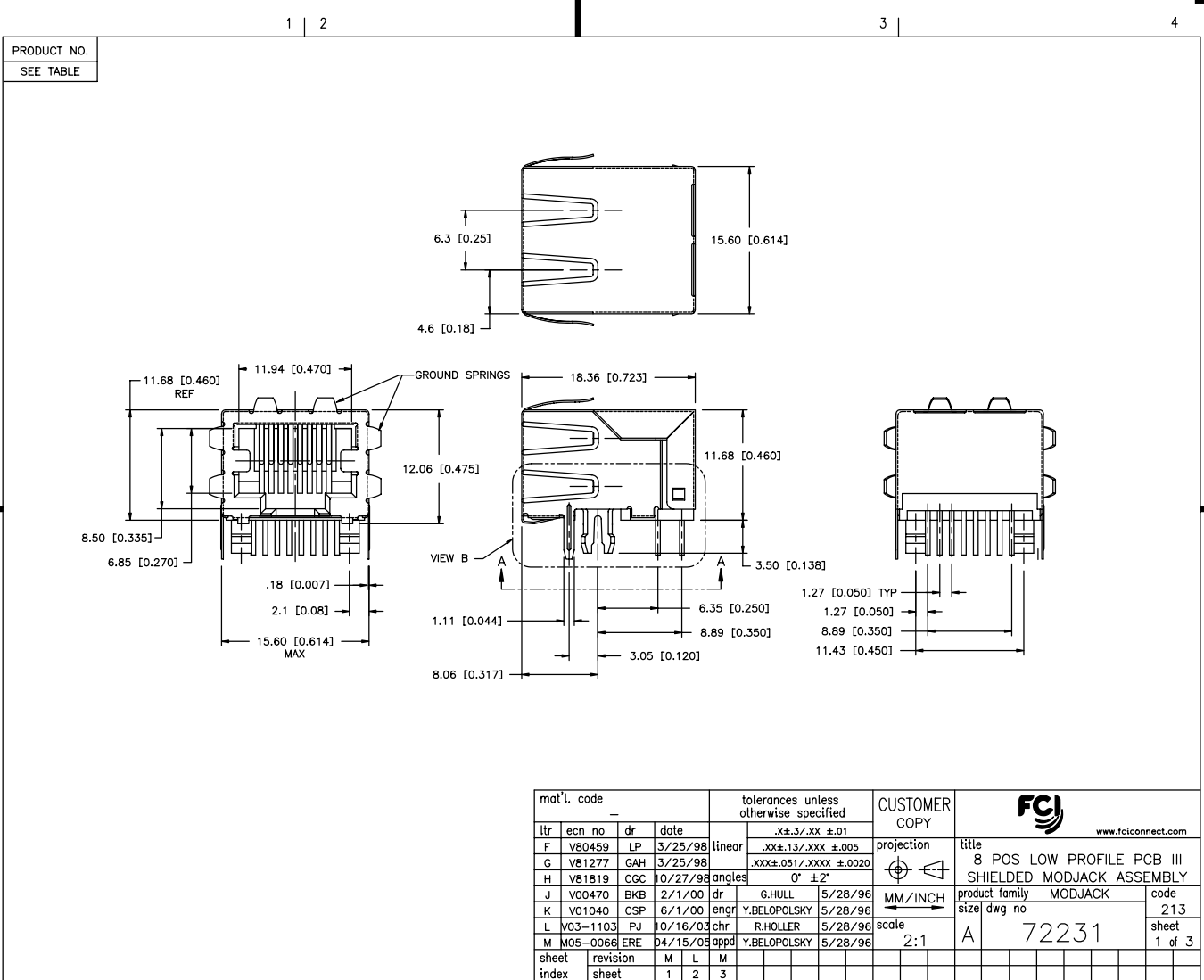


Tous droits strictement réservés. Reproduction ou communication a des tiers interdite sous quelque forme que ce soit sans autorisation écrite du propriétaire. Propriété de c FCI. Droits de reproduction FCI.



All rights strictly reserved. Reproduction or issue to third parties in any form whatever is not permitted without written authority from the proprietor. Property of FCI. Copyright FCI.



PRODUCT NO.  
SEE TABLE

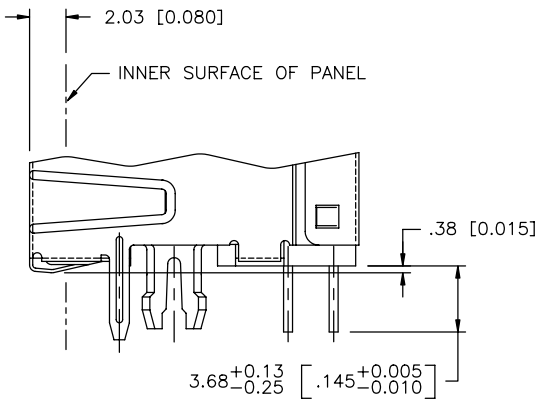
mat'l. code				tolerances unless otherwise specified		CUSTOMER COPY		FCI www.fciconnect.com	
ltr	ecn no	dr	date	linear	.X±.3/.XX ±.01	projection	title		
F	V80459	LP	3/25/98		.XX±.13/.XXX ±.005		8 POS LOW PROFILE PCB III SHIELDED MODJACK ASSEMBLY		
G	V81277	GAH	3/25/98		.XXX±.051/.XXXX ±.0020			product family	code
H	V81819	CGC	10/27/98	angles	0° ±2°	MM/INCH	MODJACK	213	
J	V00470	BKB	2/1/00	dr	G.HULL 5/28/96	scale	dwg no	sheet	
K	V01040	CSP	6/1/00	enfr	Y.BELOPOLSKY 5/28/96	2:1	A	1 of 3	
L	V03-1103	PJ	10/16/03	chr	R.HOLLER 5/28/96		72231		
M	M05-0066	ERE	04/15/03	appd	Y.BELOPOLSKY 5/28/96				
sheet	revision	M	L	M			cage code		
index	sheet	1	2	3					

Tous droits strictement reserves. Reproduction ou communication a des tiers interdite sous quelque forme que ce soit sans autorisation écrite du propriétaire. Propriété de c FCI. Droits de reproduction FCI.

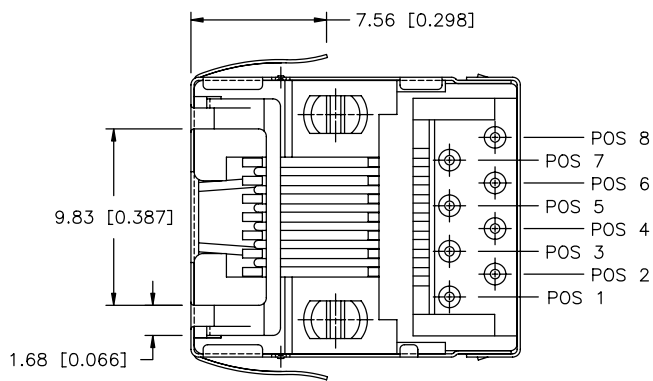


All rights strictly reserved. Reproduction or issue to third parties in any form whatever is not permitted without written authority from the proprietor. Property of FCI. Copyright FCI.

PRODUCT NO.	SEE TABLE
-------------	-----------



VIEW B



VIEW A-A

mat'l. code		tolerances unless otherwise specified		CUSTOMER COPY		www.fciconnect.com	
ltr	ecn no	dr	date	linear	projection	title	
L				.X±.3/.XX ±.01/ .XX±.13/.XXX ±.005 .XXX±.051/.XXXX ±.0020		8 POS LOW PROFILE PCB III SHIELDED MODJACK ASSEMBLY	
				angles	MM/INCH	product family	code
				0° ±2°		MODJACK	213
				dr	scale	size	sheet
				G.HULL 5/28/96	2:1	dwg no	2 of 3
				engr		72231	
				Y.BELOPOLSKY 5/28/96			
				chr			
				R.HOLLER 5/28/96			
				appd			
				Y.BELOPOLSKY 5/28/96			
sheet	revision					cage code	
index	sheet					26	

Tous droits strictement reserves. Reproduction ou communication a des tiers interdite sous quelque forme que ce soit sans autorisation écrite du propriétaire. Property of FCI. Droits de reproduction FCI.



All rights strictly reserved. Reproduction or issue to third parties in any form whatever is not permitted without written authority from the proprietor. Property of FCI. Copyright FCI.

1 | 2
3 | 4

PRODUCT NO. SEE TABLE																																											
PRODUCT NO. 72231-X8YZLF	8 POSITION HOUSING	<table border="1" style="width: 100%; border-collapse: collapse;"> <tr> <th>CODE Z</th> <th>GROUND SPRING CONFIGURATIONS</th> </tr> <tr> <td>1</td> <td>DIAGRAM #1</td> </tr> <tr> <td>2</td> <td>DIAGRAM #2</td> </tr> <tr> <td>3</td> <td>DIAGRAM #3</td> </tr> <tr> <td>4</td> <td>DIAGRAM #4</td> </tr> </table>	CODE Z	GROUND SPRING CONFIGURATIONS	1	DIAGRAM #1	2	DIAGRAM #2	3	DIAGRAM #3	4	DIAGRAM #4	<table border="1" style="width: 100%; border-collapse: collapse;"> <tr> <th>OPTIONAL LOADING CODE Y</th> <th>POSITIONS LOADED</th> </tr> <tr> <td>4</td> <td>3,4,5,6</td> </tr> <tr> <td>6</td> <td>2,3,4,5,6,7</td> </tr> <tr> <td>8</td> <td>ALL POS</td> </tr> </table>	OPTIONAL LOADING CODE Y	POSITIONS LOADED	4	3,4,5,6	6	2,3,4,5,6,7	8	ALL POS	<table border="1" style="width: 100%; border-collapse: collapse;"> <tr> <th>PLATING CODE X</th> <th>PLATING (9)</th> </tr> <tr> <td>0</td> <td>.76uM/30u" GXT</td> </tr> <tr> <td>3</td> <td>.76uM/30u" Au</td> </tr> <tr> <td>5</td> <td>1.27uM/50u" Au OVER Ni</td> </tr> </table>	PLATING CODE X	PLATING (9)	0	.76uM/30u" GXT	3	.76uM/30u" Au	5	1.27uM/50u" Au OVER Ni	<p style="text-align: center;">GROUND SPRING CONFIGURATIONS AS VIEWED FROM PORT SIDE</p>												
CODE Z	GROUND SPRING CONFIGURATIONS																																										
1	DIAGRAM #1																																										
2	DIAGRAM #2																																										
3	DIAGRAM #3																																										
4	DIAGRAM #4																																										
OPTIONAL LOADING CODE Y	POSITIONS LOADED																																										
4	3,4,5,6																																										
6	2,3,4,5,6,7																																										
8	ALL POS																																										
PLATING CODE X	PLATING (9)																																										
0	.76uM/30u" GXT																																										
3	.76uM/30u" Au																																										
5	1.27uM/50u" Au OVER Ni																																										
		<p>NOTE: PLEASE CHECK FOR AVAILABILITY, NOT ALL OPTIONS AVAILABLE.</p> <p style="text-align: center;"><u>RECOMMENDED PANEL OPENING</u></p>																																									
		<p>NOTES:</p> <ol style="list-style-type: none"> <li>RECOMMENDED P.C.B. THICKNESS 1.60 [0.063].</li> <li>HOUSING MATL: HIGH TEMPERATURE THERMOPLASTIC MATERIAL, UL94V-0, COLOR BLACK.</li> <li>CONTACTS MATL: PHOS BRONZE ALLOY ROUND WIRE. SEE TABLE FOR PLATING.</li> <li>SHIELD MATL: PHOS BRONZE ALLOY, BRIGHT TIN PLATE OVER NICKEL UNDERPLATING PER BUS-15-002/M.</li> <li>TWO LAYERS OF HIGH TEMP. INSULATING TAPE BETWEEN SHIELD AND SIGNAL CONTACTS.</li> <li>LF SUFFIX AT THE END OF PART NUMBER IS LEAD FREE.</li> <li>THE HOUSING WILL WITHSTAND EXPOSURE TO 260°C PEAK TEMPERATURE FOR 15 SECONDS IN A WAVE SOLDER APPLICATION WITH A 1.5mm MINIMUM THICK CIRCUIT BOARD. SEE APPLICATION NOTES/PROCEDURES IF THEY ARE AVAILABLE.</li> <li>THIS PRODUCT MEETS EUROPEAN UNION DIRECTIVES AND OTHER COUNTRY REGULATION AS DESCRIBED IN GS-22-008.</li> <li>PLATING OPTIONS: MAY BE EITHER GOLD OR GXT PLATED AT MANUFACTURER'S OPTION.</li> </ol>																																									
		<p style="text-align: center;"><u>RECOMMENDED P.C.B. LAYOUT</u> AS VIEWED FROM TOP SIDE (COMPONENT SIDE)</p>																																									
		<table border="1" style="width: 100%; border-collapse: collapse;"> <tr> <td>mat'l. code</td> <td>tolerances unless otherwise specified</td> <td>CUSTOMER COPY</td> <td colspan="2" rowspan="2" style="text-align: center;">  www.fciconnect.com             </td> </tr> <tr> <td>ltr</td> <td>.x±.3/.xx ±.01</td> <td>projection</td> </tr> <tr> <td>ecn no</td> <td>.xx±.13/.xxx ±.005</td> <td>title</td> <td colspan="2">8 POS LOW PROFILE PCB III SHIELDED MODJACK ASSEMBLY</td> </tr> <tr> <td>dr</td> <td>.xxx±.051/.xxxx ±.0020</td> <td>product family</td> <td colspan="2">MODJACK</td> </tr> <tr> <td>enrg</td> <td>G.HULL 5/28/96</td> <td>size</td> <td>dwg no</td> <td>code</td> </tr> <tr> <td>chr</td> <td>Y.BELOPOLSKY 5/28/96</td> <td>scale</td> <td>2:1</td> <td>213</td> </tr> <tr> <td>appd</td> <td>R.HOLLER 5/28/96</td> <td>sheet</td> <td colspan="2">3 of 3</td> </tr> <tr> <td>sheet index</td> <td>revision sheet</td> <td>cage code</td> <td colspan="2">4</td> </tr> </table>				mat'l. code	tolerances unless otherwise specified	CUSTOMER COPY	www.fciconnect.com		ltr	.x±.3/.xx ±.01	projection	ecn no	.xx±.13/.xxx ±.005	title	8 POS LOW PROFILE PCB III SHIELDED MODJACK ASSEMBLY		dr	.xxx±.051/.xxxx ±.0020	product family	MODJACK		enrg	G.HULL 5/28/96	size	dwg no	code	chr	Y.BELOPOLSKY 5/28/96	scale	2:1	213	appd	R.HOLLER 5/28/96	sheet	3 of 3		sheet index	revision sheet	cage code	4	
mat'l. code	tolerances unless otherwise specified	CUSTOMER COPY	www.fciconnect.com																																								
ltr	.x±.3/.xx ±.01	projection																																									
ecn no	.xx±.13/.xxx ±.005	title	8 POS LOW PROFILE PCB III SHIELDED MODJACK ASSEMBLY																																								
dr	.xxx±.051/.xxxx ±.0020	product family	MODJACK																																								
enrg	G.HULL 5/28/96	size	dwg no	code																																							
chr	Y.BELOPOLSKY 5/28/96	scale	2:1	213																																							
appd	R.HOLLER 5/28/96	sheet	3 of 3																																								
sheet index	revision sheet	cage code	4																																								