

INTEGRATED CONNECTOR MODULES

Gigabit belMag™ with LEDs

BM01810

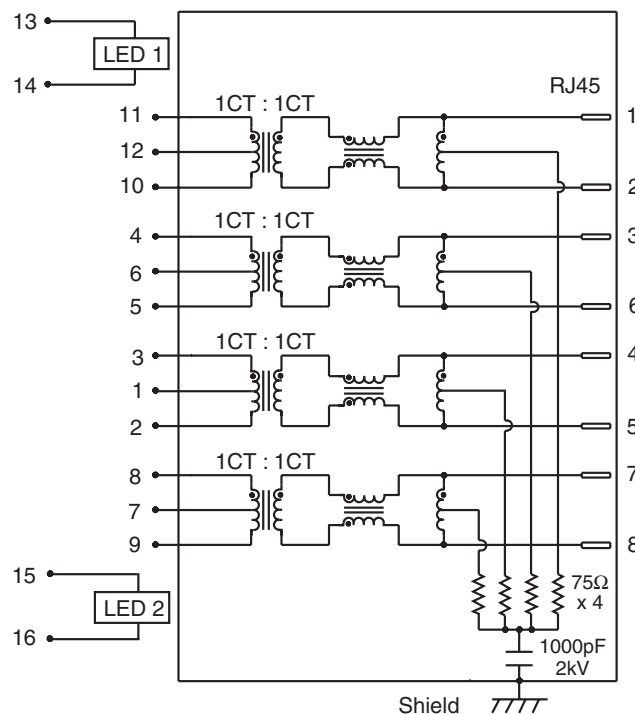
- Single port shielded RJ-45 connector with integrated Gigabit Ethernet magnetics
- Compatible with a variety of Gigabit Ethernet transceiver ICs and 10/100Base-TX transceiver ICs
- Operating temperature 0° to +70° C
- Storage temperature -40° to +85° C
- Complies with IEEE 802.3ab standards and all Gigabit Ethernet specifications
- Integrated design conserves valuable board space
- Minimum interwinding breakdown voltage of 1500 Vrms
- Adaptable, modular design provides higher reliability

ELECTRICAL SPECIFICATIONS AT 25° C

| Insertion Loss dB max | | Return Loss dB min | | Common to Differential Mode Rejection dB min | Common to Common Mode Rejection dB min | Crosstalk dB min | Hipot Vrms min |
|--------------------------|---------------------|-----------------------|----------------------------|---|---|----------------------------|-------------------|
| 0.1MHz to 100MHz | 100MHz to 125MHz | 0.5MHz to 40MHz | 40MHz to 100MHz | 100KHz to 100MHz | 100KHz to 100MHz | | |
| -0.8 | -1.2 | -18 | -12 + 20 log (f/80 MHz) | -35 | -30 | -33 + 20 log (f/100MHz) | 1500 |

SCHEMATIC

0826-1A1T-23
 0826-1B1T-23
 0826-1C1T-23
 0826-1D1T-23
 0826-1E1T-23
 0826-1G1T-23
 0826-1K1T-23
 0826-1L1T-23
 0826-1X1T-23
 0826-1Y1T-23



See chart on page 2 for LED colors and polarity.

LED COLORS AND POLARITY

| Part Number | LED 1 | | | | LED 2 | | | |
|--------------|----------|--------|----------|--------|----------|--------|----------|--------|
| | Color | | Polarity | | Color | | Polarity | |
| | | | Pin 13 | Pin 14 | | | Pin 15 | Pin 16 |
| 0826-1A1T-23 | | Yellow | - | + | | Green | - | + |
| 0826-1B1T-23 | Bi-color | Green | - | + | Bi-color | Green | - | + |
| | | Orange | + | - | | Orange | + | - |
| 0826-1C1T-23 | Bi-color | Green | - | + | Bi-color | Green | - | + |
| | | Yellow | + | - | | Yellow | + | - |
| 0826-1D1T-23 | | Green | - | + | | Yellow | - | + |
| 0826-1E1T-23 | | Green | - | + | Bi-color | Green | - | + |
| | Orange | | | | | + | - | |
| 0826-1G1T-23 | | Green | - | + | | Green | - | + |
| 0826-1K1T-23 | | Green | - | + | Bi-color | Green | - | + |
| | Yellow | | | | | + | - | |
| 0826-1L1T-23 | Bi-color | Green | - | + | | Green | - | + |
| | | Yellow | + | - | | | | |
| 0826-1X1T-23 | | Yellow | - | + | Bi-color | Green | - | + |
| | Orange | | | | | + | - | |
| 0826-1Y1T-23 | | Yellow | - | + | | Yellow | - | + |

INTEGRATED CONNECTOR MODULES

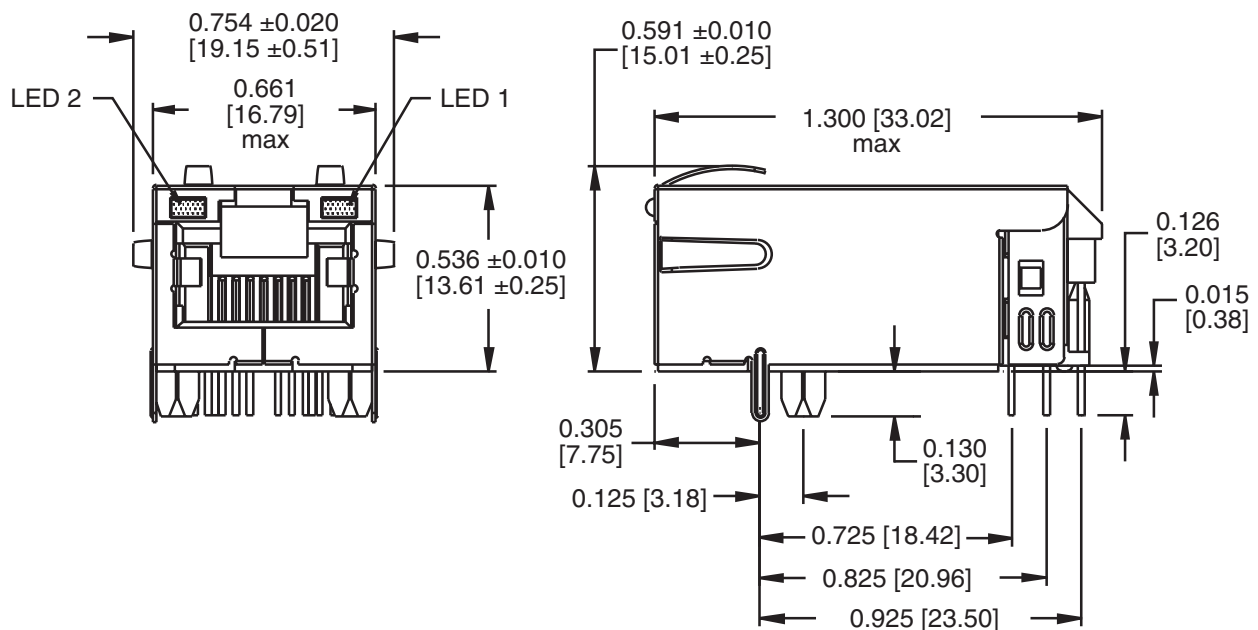
Gigabit belMag™ with LEDs



BM01810

MECHANICAL

0826-1A1T-23
 0826-1B1T-23
 0826-1C1T-23
 0826-1D1T-23
 0826-1E1T-23
 0826-1G1T-23
 0826-1K1T-23
 0826-1L1T-23
 0826-1X1T-23
 0826-1Y1T-23



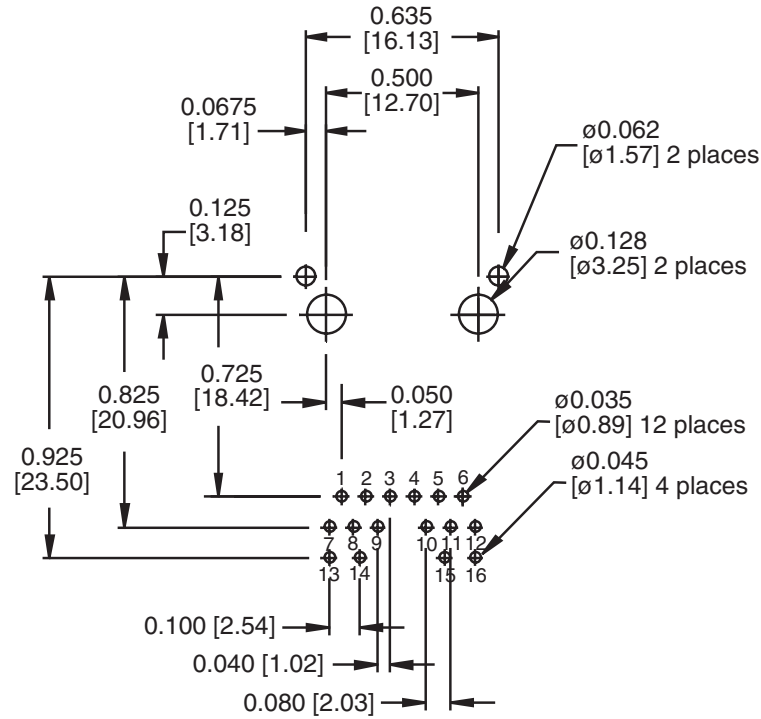
Dimensions are in inches [millimeters].
 Standard dimension tolerance is ± 0.010 [0.25] unless otherwise noted.

Notes

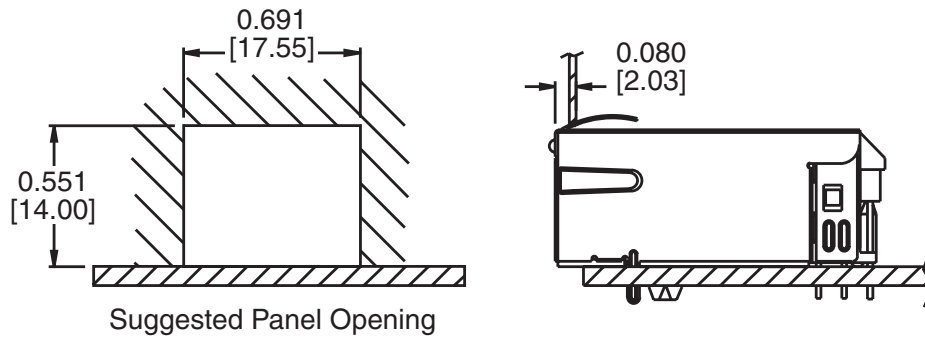
| | |
|-----------------|---|
| Plastic Housing | Thermoplastic, flammability rating UL 94V-0 |
| Contacts | 50 micro-inch hard gold plating |
| Pins | Tin-coated copper wire, DIA 0.018" [0.46] |
| Solderability | Per MIL Std. 202, Method 208 |
| Metal Shield | Tin lead plated copper alloy |

PAD LAYOUT

- 0826-1A1T-23
- 0826-1B1T-23
- 0826-1C1T-23
- 0826-1D1T-23
- 0826-1E1T-23
- 0826-1G1T-23
- 0826-1K1T-23
- 0826-1L1T-23
- 0826-1X1T-23
- 0826-1Y1T-23



Suggested PCB Pad Layout
Component Side View



Suggested Panel Opening

CORPORATE

Bel Fuse Inc.
206 Van Vorst Street
Jersey City, NJ 07302
Tel 201-432-0463
Fax 201-432-9542
www.belfuse.com

FAR EAST

Bel Fuse Ltd.
8F / 8 Luk Hop Street
San Po Kong
Kowloon, Hong Kong
Tel 852-2328-5515
Fax 852-2352-3706
www.belfuse.com

EUROPE

Bel Fuse Europe Ltd.
Preston Technology Management Centre
Marsh Lane, Suite G7, Preston
Lancashire, PR1 8UD, U.K.
Tel 44-1772-556601
Fax 44-1772-888366
www.belfuse.com