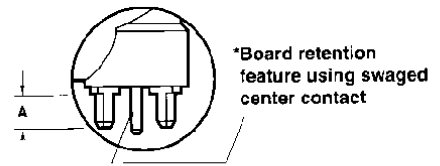
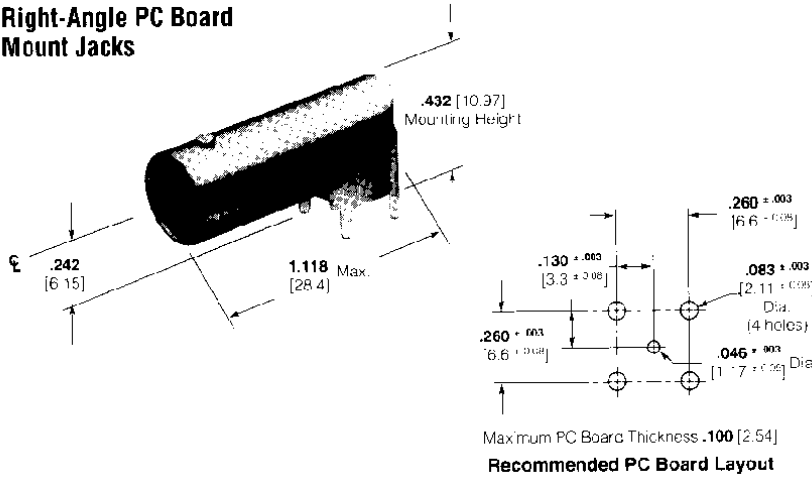
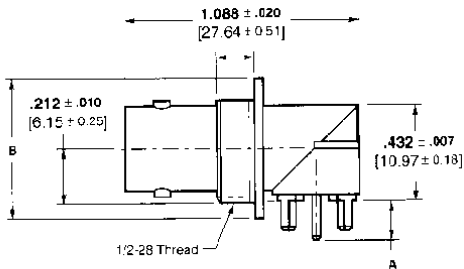


BNC Connectors, 50 Ohm (Continued)

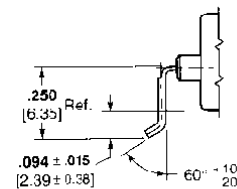
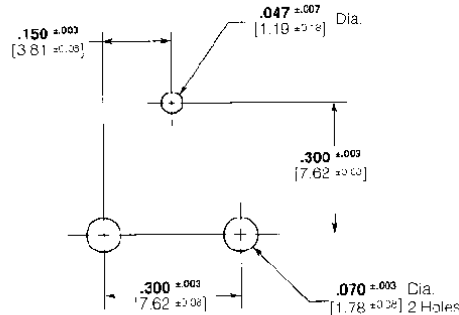
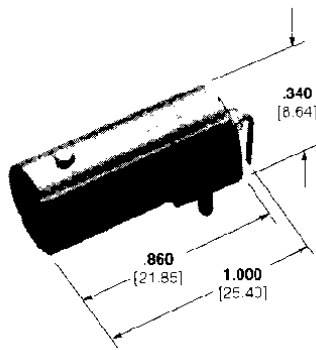
Right-Angle PC Board Mount Jacks



Body Plating	Dielectric	Center Contact Length Dimension A	Part Number
Nickel	Polymethyl Pentene	.171 4.34	413631-1
Tin-Lead	TEFLON	.171 4.34	413631-2
Nickel	Polymethyl Pentene	.131 3.33	413631-3
Tin-Lead	TEFLON	.131 3.33	413631-4*
Nickel	TEFLON	.131 3.33	413631-5*



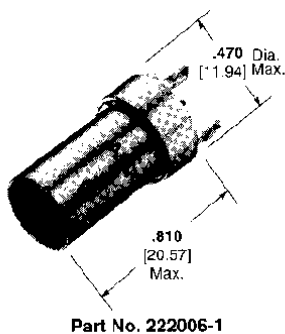
Body	Dielectric	Dimension		Part Number
		A	B	
Tin-Lead	TPX	.171 4.34	.459 11.63	415025-1
Tin-Lead	TPX	.171 4.34	.640 16.26	415372-1



Body	Dielectric	Contact	Part Number
Nickel	TPX	Gold	414373-1
Nickel	TPX	Gold	414373-3**
Tin-Lead	TPX	Gold	414373-4**

**Board retention leg prevents connector from tipping during wave solder. For 414373-3 and 414373-4 only.

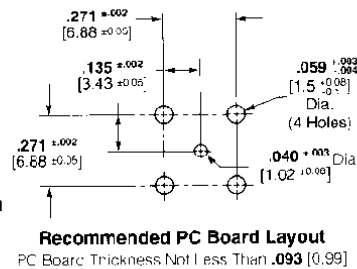
Recommended PC Board Layouts



Press-Fit Terminal

Plating

Body—Nickel
Center Contact—Gold
Dielectric—TEFLON
Product Specification 108-12103
Application Specification 114-12001



Insulating Bushing

Material Nylon
Part No. 222163-1

