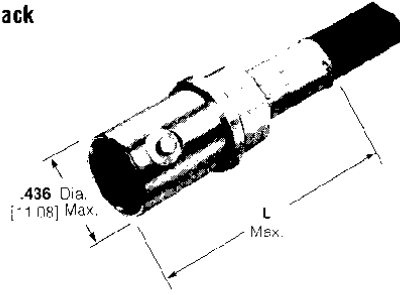


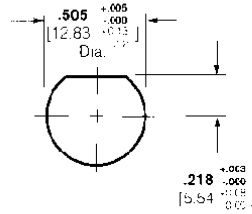
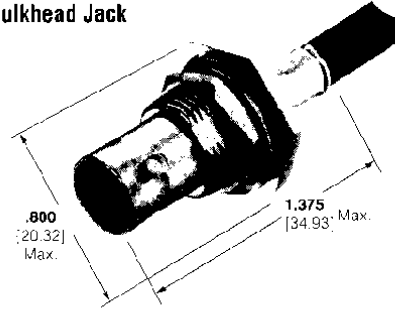
BNC Connectors, 75 Ohm (Continued)

Jacks and Bulkhead Jacks, Crimp

Jack



Bulkhead Jack



Maximum Panel Thickness: .240 [3.16]
Recommended Panel Cutout

BNC Connectors

Jacks

Connector Cable Range Selection Code†	RG/U Cable	Termination Type	Center Contact Plating	Body Plating	Dielectric	Style	M39012/Military No. and/or Comments	Part No.	Dim. L	CERTI-CRIMP Hand Tool with Integral Die	Interchangeable Dies for PRO-CRIMPER Hand Tool 354940-1 or PRO-CRIMPER Adapter 678304-1	Interchangeable Dies for Hand Tool 69710-1 & 626 Pneu. Head 318161-1
B1	179, 179A, 179R, 161	Hex Crimp	Gold	Nickel	Polyethylene	Commercial	—	413760-8	1.300 33.02	—	58425-2	—
	187, 187A, Belden 9221	Dual Crimp	Gold	Nickel	Polyethylene	Commercial	—	221199-5	1.200 30.48	—	318451-2	—
B4	AT&T 735A	Dual Crimp	Gold	Nickel	Polyethylene	Commercial	—	221199-6	1.200 30.48	—	58174-1	—
B5	AT&T KS 19224 L2, RD179 Double 3raid	Hex Crimp	Gold	Nickel	Polyethylene	Commercial	—	413760-4	1.300 33.02	—	58425-2	—
C3	Belden 8218	Hex Crimp	Gold	Nickel	Polyethylene	Commercial	—	413760-3	1.300 33.02	—	58425-2	—
G	140, 210, 62, 62A, 623, 59, 59A, 593, Belden 9291, 9209, 9269	Hex Crimp	Gold	Nickel	Polyethylene	Commercial	—	413760-2	1.300 30.48	—	58425-1	—
		Dual Crimp	Gold	Nickel	Polyethylene	Commercial	—	221199-2	1.200 30.48	—	58536-1	58248-2
G1	302, Belden 88241, 89269, Hi-Temp 62A, Times PL-62, Berk Tok BTDC-59, BTDC-62	Hex Crimp	Gold	Nickel	Polyethylene	Commercial	—	413760-1	1.300 33.02	—	58425-1	—
G3	Double Shielded RG 59	Hex Crimp	Gold	Nickel	Polyethylene	Commercial	—	413760-6	1.300 33.02	—	58425-3	—
G4	Belden 8212, 9104, 9112, 9240, 9167, 9259, 9266, Times FM-59, (RG-59 Type with 20 AWG C.C.)	Hex Crimp	Gold	Nickel	Polyethylene	Commercial	—	413760-9	1.300 33.02	—	58425-1	—
G5	AT&T 734A, Belden 9145	Hex Crimp	Gold	Nickel	Polyethylene	Commercial	—	413760-7	1.300 33.02	—	58425-1	—
J1	Belden 9248, 9114	Dual Crimp	Gold	Nickel	Polyethylene	Commercial	—	221199-1	1.200 30.48	—	58536-1	—
K2	Belden 8281, 9141, 9231, Western Electric 724, 728, 3049	Hex Crimp	Gold	Nickel	Polyethylene	Commercial	—	413760-5	1.300 33.02	—	58425-3	—

For drawings, technical data or samples, contact your AMP sales engineer or call the AMP Product Information Center 1-800-522-6752. Dimensions are in inches and millimeters unless otherwise specified. Values in brackets are metric equivalents. Specifications subject to change. Consult AMP Incorporated for latest specifications.