



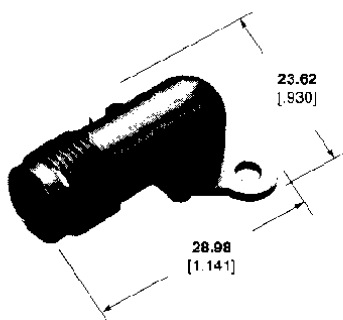
RF Coax Connectors

TNC Connectors, 50 Ohm (Continued)

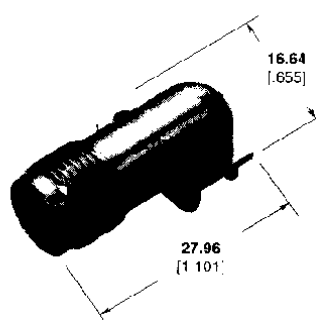
Right Angle PC Board/Mount Jacks

Plating

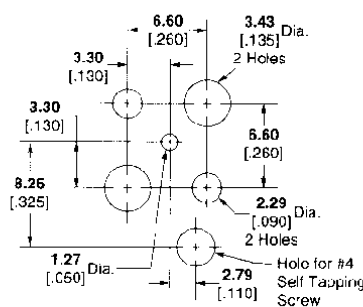
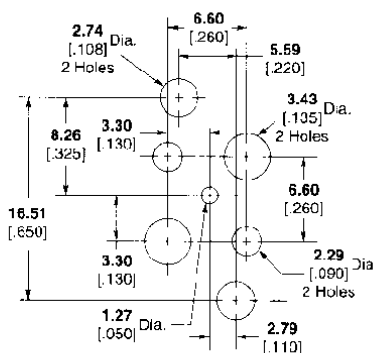
Body — Nickel
 Center Contact — Gold
 Dielectric — TEFLON



Part No. 413933-1



Part No. 414449-1

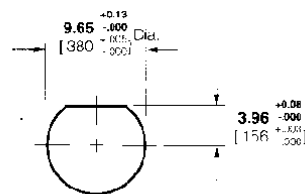
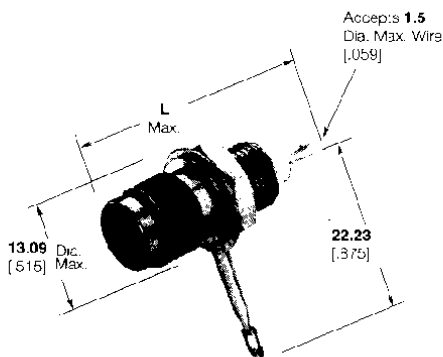
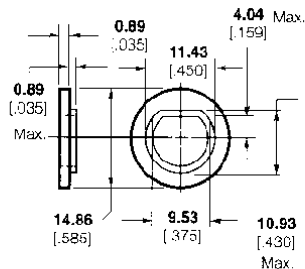


Recommended PC Board Cutouts

Bulkhead Solder Jacks

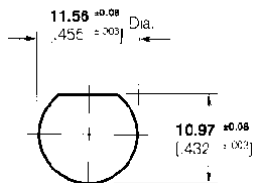
Insulation Bushing

Material — Nylon
 Part No. 227223-1



Recommended Panel Cutout (Jack)

Panel Thickness Refer to chart below.



Recommended Panel Cutout (Bushing)

Body Plating	Center Contact Plating	Dielectric	Dim. L	Panel Thickness	Part Numbers	
					With Solder Terminal	Without Solder Terminal
Nickel	Gold	VALOX	26.93 1.060	1.02-3.96 .040-.156	227760-2	227758-2
Nickel	Gold	VALOX	33.33 1.312	1.17-6.35 .046-.250	227762-2	227764-2