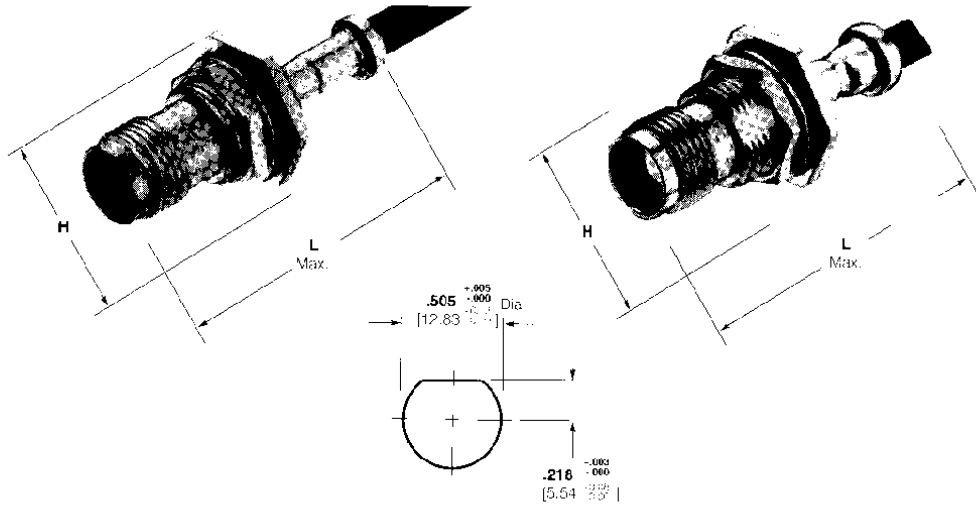


TNC Connectors, 50 Ohm (Continued)

Bulkhead Jacks, Crimp

Single Crimp

Dual Crimp



Maximum Panel Thickness Single Crimp .125 [3.18];
Dual Crimp .250 [6.35]

Recommended Panel Cutout

H= 11/16" max. across flats, .800 [20.32] max. across points.

Connector Cable Range Selection Code†	RG/U Cable	Termination Type	Center Contact Plating	Body Plating	Dielectric	Style	M39012/ Military No. and/or Comments	Part No.	Dim. L	CERTI-CRIMP Hand Tool with Integral Die	Interchangeable Dies for PRO-CRIMPER Hand Tool 354940-1 or PRO-CRIMPER Adapter 678304-1	Interchangeable Dies for Hand Tool 69710-1 & 626 Pneu. Head 318161-1
B	174, 174A, 316 188, 188A	Dual Crimp	Gold	Nickel	Polymethylpentene	Commercial	—	414168-3	1.375 34.93	—	318450-2	—
		Single Crimp	Gold	Silver	TEFLON	Mil Type	—	331237	1.500 38.1	69245-1	—	69422
31	179, 179A, 179B 161, 187, 187A Belden: 9221	Single Crimp	Gold	Nickel	TEFLON	Mil Type	—	331238	1.500 38.1	69245-1	—	69408
33	RD 138, 316 Double Braid	Dual Crimp	Gold	Nickel	Polymethylpentene	Commercial	—	414168-4	1.375 34.93	—	58539-1	—
C1	180, 180A, 180B 195, 195A	Single Crimp	Gold	Silver	TEFLON	Mil Type	—	331239	1.500 38.1	59346-1	—	69423
		Dual Crimp	Gold	Silver	TEFLON	Mil Type	Weatherproof	1-225552-1	1.531 38.89	220045-2	—	—
D	58, 58A, 58B, 58C	Dual Crimp	Gold	Nickel	TEFLON	Mil Type	Weatherproof	225557-2	1.500 38.1	220045-2	—	—
		Single Crimp	Gold	Silver	TEFLON	Mil Type	Weatherproof	331325	1.531 38.89	69375-3	—	69815
D, D1	58, 58A, 58B, 58C 141, 141A, 303	Dual Crimp	Gold	Nickel	Polymethylpentene	Commercial	—	414168-1	1.375 34.93	—	220189-1	—
D1	141, 141A, 303	Dual Crimp	Gold	Nickel	TEFLON	Mil Type	Weatherproof	225557-5	1.531 38.89	220045-2	—	—
E	223 55, 55A, 55B	Dual Crimp	Gold	Silver	TEFLON	Mil Type	2880016	225347-1	1.500 38.1	220045-2	—	—
		Dual Crimp	Gold	Nickel	Polymethylpentene	Commercial	—	414168-6	1.375 34.93	—	220189-1	—
E1	142, 142A 142B, 400	Dual Crimp	Gold	Nickel	TEFLON	Mil Type	Weatherproof	225557-6	1.500 38.1	220045-2	—	—
		Dual Crimp	Gold	Nickel	Polymethylpentene	Commercial	—	414168-5	1.375 34.93	—	220189-1	—
G	120, 140, 210, E2, 62A, 62B, 59, 59A, 59B, Belden 9291, 9209, 9269	Dual Crimp	Gold	Nickel	TEFLON	Mil Type	—	225401-3	1.343 34.12	220045-3	—	—
		Dual Crimp	Gold	Nickel	Polymethylpentene	Commercial	—	414168-2	1.375 34.93	—	220189-2	—

†Refer to pages 14 and 15 for code specifications.