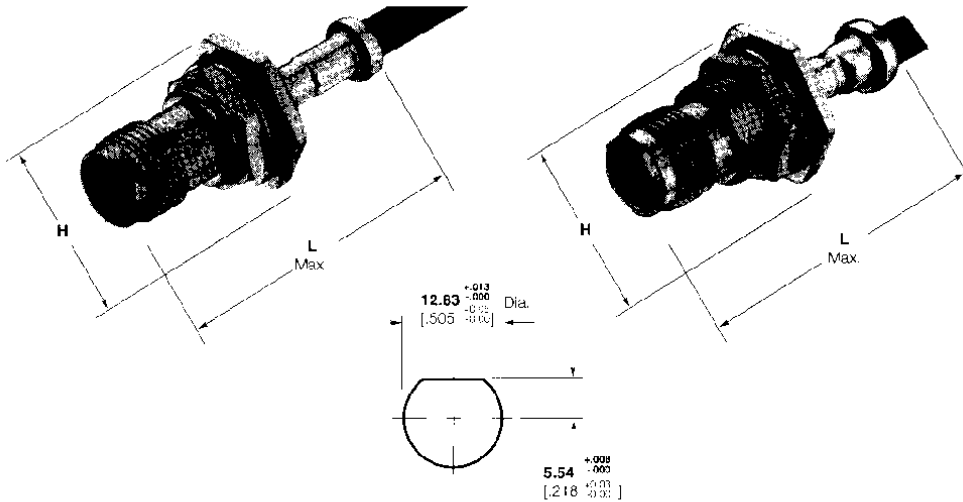


TNC Connectors, 50 Ohm (Continued)

Bulkhead Jacks, Crimp

Single Crimp

O Crimp



Maximum Panel Thickness Single Crimp **3.18** [0.125]
 Dual Crimp **6.35** [0.250]

Recommended Panel Cutout

H= **11/16** [0.6875] max. across flats **20.32** [0.800] max. across points.

RG/U Cable	Termination Type	Center Contact Plating	Body Plating	Dielectric	Style	Comments	Dim. L	CERTI-CRIMP Hand Tool with Integral Die	Interchangeable Dies for PRO-CRIMPER Hand Tool 354940-1 or PRO-CRIMPER Adapter 679304-1	Part No.
174, 174A, 316 188, 188A	O Crimp	Gold	Nickel	Polymethyl-pentene	Commercial	—	34.93 1.375	—	318450-2	414168-3
179, 179A, 179B 161, 187, 187A Belden 9221	Single Crimp	Gold	Nickel	TEFLON	Mil Type	—	38.1 1.500	69245-1	—	331238
RD 188, 316 Double Braid	O Crimp	Gold	Nickel	Polymethyl-pentene	Commercial	—	34.93 1.375	—	58539-1	414168-4
58, 58A, 58B, 58C	O Crimp	Gold	Nickel	TEFLON	Mil Type	Weatherproof	38.1 1.500	220045-2	—	225557-2
58, 58A, 58B, 58C 14, 141A, 303	O Crimp	Gold	Nickel	Polymethyl-pentene	Commercial	—	34.93 1.375	—	220189-1	414168-1
223 55, 55A, 55B	O Crimp	Gold	Nickel	Polymethyl-pentene	Commercial	—	34.93 1.375	—	220189-1	414168-6
142, 142A 142B, 400	O Crimp	Gold	Nickel	Polymethyl-pentene	Commercial	—	34.93 1.375	—	220189-1	414168-5
	O Crimp	Gold	Nickel	TEFLON	Mil Type	Weatherproof	38.1 1.500	220045-2	—	225557-6
120, 140, 210, 62, 32A, 323, 59, 59A, 59B, Belden 9291, 3209, 9269	O Crimp	Gold	Nickel	Polymethyl-pentene	Commercial	—	34.93 1.375	—	220189-2	414168-2