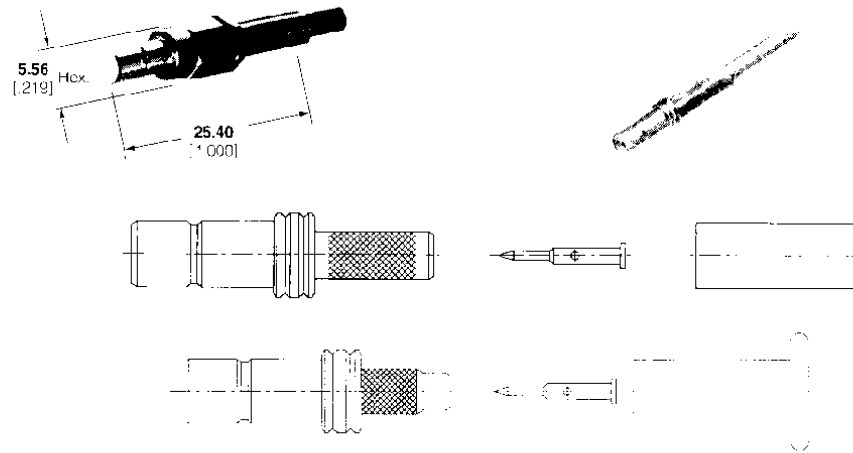


SMB Connectors, 50 Ohm (Continued)

Straight Jacks

Commercial Jack

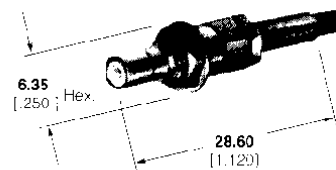
Mil Type Jack



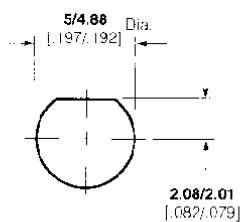
RG/U Cable	Center Contact Plating	Body Plating	Dielectric	Style	Jack Part No.
173, 173A, 176B, 196, 196A	Gold	Nickel	TEFLON	Mil Type	414170-2
74, 316, 188, 188A	Gold	Nickel	TEFLON	Mil Type	414170-1
	Gold	Nickel	TEFLON	Commercial	414948-1
	Gold	Nickel	TEFLON	Die Cast	1274035-1
RD 316, 188 Double Braid	Gold	Nickel	TEFLON	Commercial	414948-3
79, 187	Gold	Nickel	TEFLON	Die Cast	414948-2

Bulkhead Jacks

Bulkhead Jack

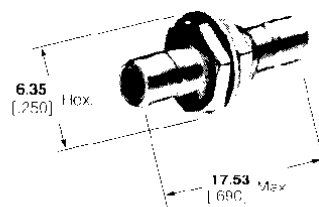


RG/U Cable	Center Contact Plating	Body Plating	Dielectric	Style	Bulkhead Jack Part No.
178, 178A, 176B, 196, 196A	Gold	Nickel	TEFLON	Commercial	415006-3
174, 313, 188, 188A	Gold	Nickel	TEFLON	Commercial	415006-1
RD 316, 188 Double Braid	Gold	Nickel	TEFLON	Commercial	415006-2



Maximum Panel Thickness **2.36** [0.93]
Recommended Panel Cutout for Bulkhead Jack and Adapter

Bulkhead Jack Adapter (Jack-to-Jack)



Type	Center Contact Plating	Body Plating	Dielectric	Style	Part No.
Jack-to-Jack	Gold	Nickel	TEFLON	Mil Type	228553-1
	Gold	Gold	TEFLON	Mil Type	228553-2