

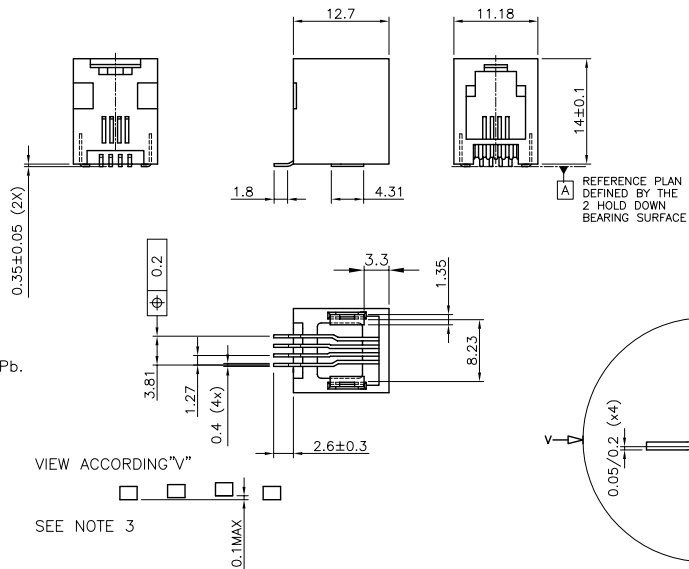
PRODUCT NUMBER
73327-XXXLF

PLATING OPTION	
1=	CXT 0.76 μm
3=	GOLD 0.76 μm
5=	GOLD 1.27 μm

PACKAGE OPTION	
1=	TAPE ON REEL
2=	TUBE
3=	TAPE ON REEL IN PLASTIC BAG

TERMINAL LOADING	
1=	FULLY LOADED

WHEN NEEDED, SUFFIX LETTER "LF"
INDICATES THE PRODUCT IS RoHS
COMPATIBLE, SEE NOTE 4.



- NOTES:
- MATERIAL: HOUSING: HIGH TEMP. NYLON, COLOUR BLACK.
TERMINAL: PHOSPHOR BRONZE.
 - PLATING: CONTACT AREA: SEE TABLE.
SOLDER TAIL : 90/10 SnPb 2 μm MIN.
WHEN SUFFIX "LF" IS REQUIRED, 2 μm MIN MATTE
TIN OVER 1.27 MIN Ni IS SUPPLIED INSTEAD OF SnPb.
NO RAW EDGES EXCEPT SOLDER TAIL TIPS
 - SOLDER TAILS COPLANARITY : 0.1 mm
 - RoHS COMPATIBLE PRODUCT SPECIFICATIONS
 - PLATING:
 - "LF" MEANS THE PRODUCT IS LEAD-FREE,
2 μm MINIMUM MATTE TIN OVER 1.27 μm
MINIMUM NICKEL UNDERPLATE.
 - MANUFACTURING PROCESS COMPATIBILITY
 - THE HOUSING WILL WITHSTAND EXPOSURE TO
245°C PEAK TEMPERATURE FOR 30 SECONDS
MAX IN A CONVECTION, INFRA-RED OR VAPOR
PHASE OR REFLOW OVEN.
 - LABELING:
 - MEETS PACKAGING SPECS AS PER GS-14-920
 - LEGAL STATEMENT: SEE GS-22-008
 - PACKAGING FOR OPTION 3 : EACH REEL IS WRAPPED INTO A PLASTIC BAG
TO PROTECT FROM MOISTURE DURING STACKING TIME.

CUSTOMER COPY FOR REFERENCE ONLY

mat'l. code		surface		tolerance		projection		product family	
		ISO 1302		ISO 406 ISO 1101				MOD JACK	
Ltr	ecm no	dr	date	tolerances unless otherwise specified				title	
H	F05-0247	DLE	05.09.12	angles		±0.13		SMT RA JACK	
J	F06-0240	DLE	06.07.18	linear		mm		4 POS NARROW INSIDE	
K	F09-0070	LSA	02.07.21	±2°		F09-0070		scale 2:1	
		dr	D LEGRAND	04.10.18				dwg no	
E	F90120	DLE	99.02.01	engd P NIZZI		04.10.18		sheet 1 of 3	
F	F03020	DLE	03.01.27	chr D LEGRAND		04.10.18		size	
G	F04-0363	DLE	04.10.18	appd P NZ		04.10.18		73327	
sheet		revision		K F B		type		CUSTOMER Drawing	
index		sheet		1 2 3				A3	

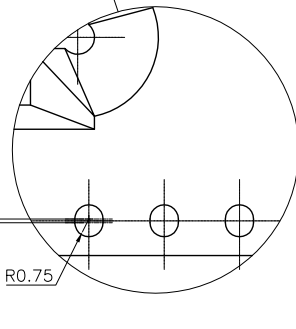
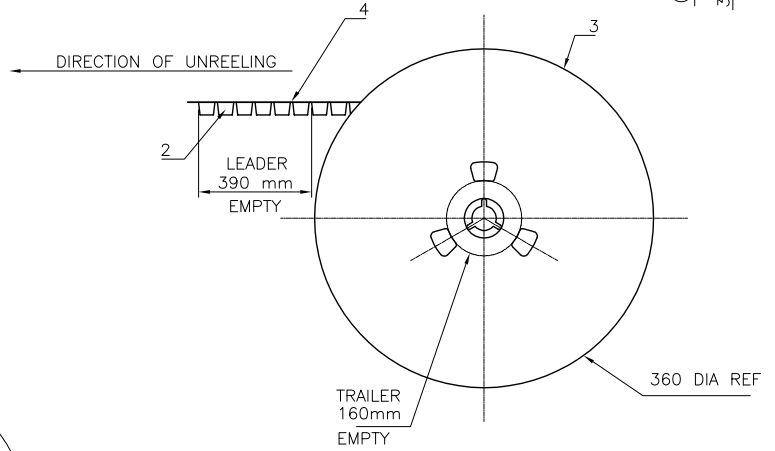
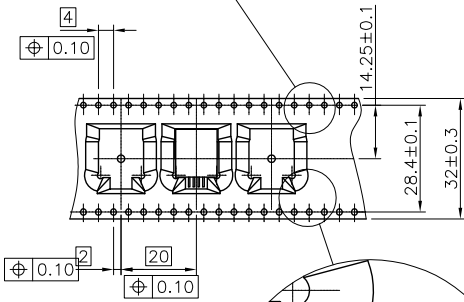
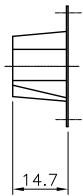
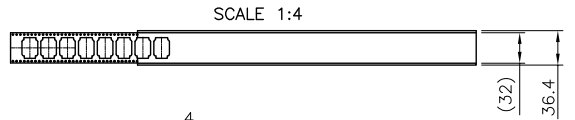
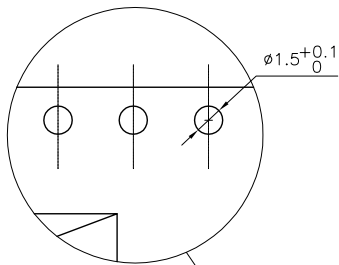
PDM: Rev:K

STATUS Released

Printed: Oct 01, 2010

PRODUCT NUMBER
SEE SHEET 1

LTR	PART NAME	QTY
1	PRODUCT	280
2	TAPE	1
3	REEL	1
4	COVER TAPE	1



1- IN ACCORDANCE WITH EIA-481 AND IEC 296-3

CUSTOMER COPY FOR REFERENCE ONLY									
mat'l. code	surface	ISO 1302	tolerance	ISO 406	ISO 1101	projection	product family		
Ltr	ecn no	dr	date	tolerances unless otherwise specified		ϕ	MOD-JACK		
E	F90120	DLE	99.02.01	angles	linear	mm	title		
F	F06-0240	DLE	06.07.18			scale 1:1	SMT RA JACK		
							4 POS. NARROW INSIDE		
							dwg no		
							73327		
							sheet 2 of 3		
							A3		
							type		
							CUSTOMER Drawing		
sheet index	revision sheet								

PDM: Rev:K

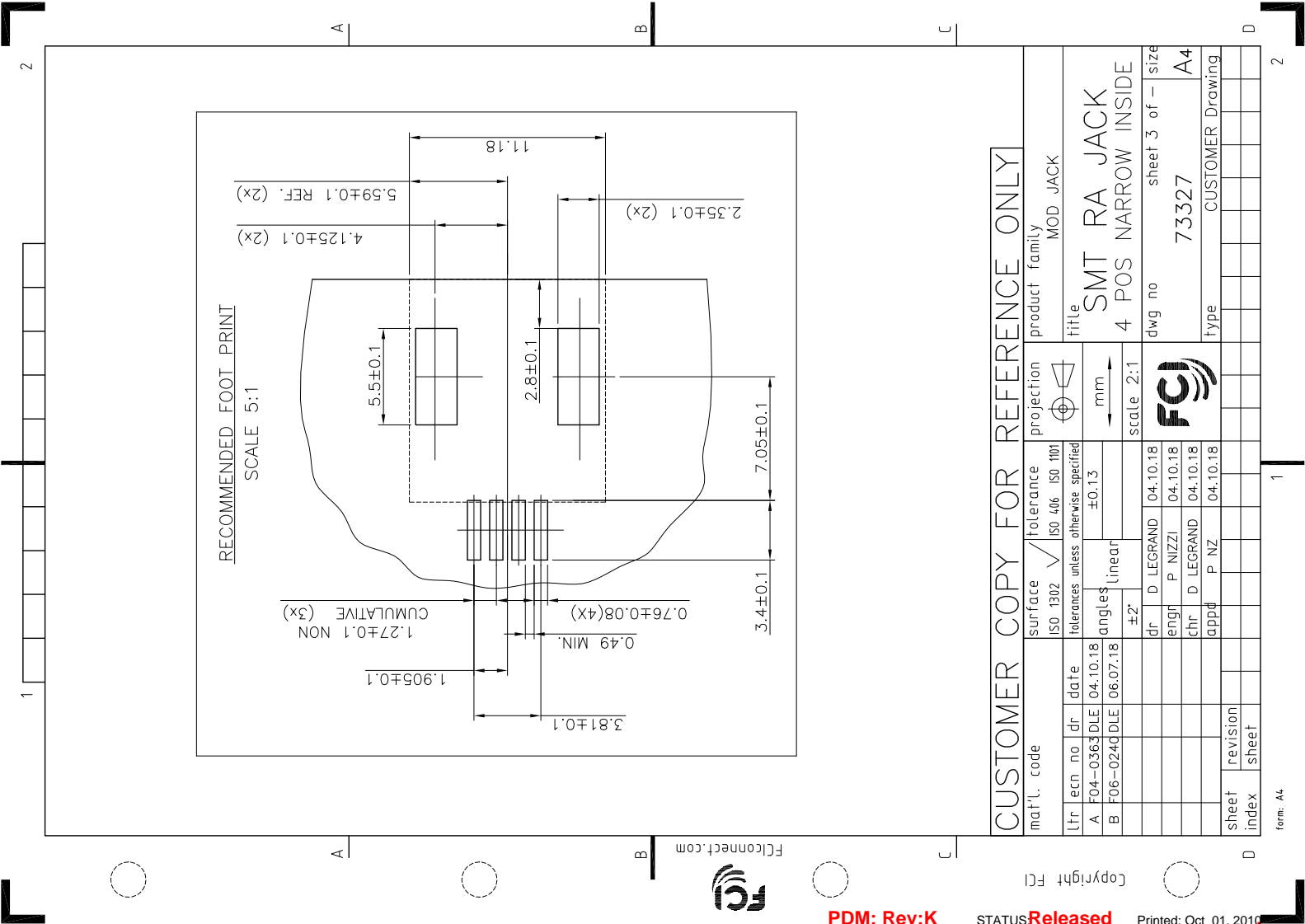
STATUS Released

Printed: Oct 01, 2010

FCI
FCIconnect.com

Copyright FCI

form: A3



CUSTOMER COPY FOR REFERENCE ONLY

mat'l. code		surface	tolerance	projection	product family
		ISO 1302	ISO 406 ISO 101		MOD JACK
ltr	ecn no	dr	date	tolerances unless otherwise specified	title
A	F04-0363	DLE	04.10.18	±0.13	SMT RA JACK
B	F06-024Q	DLE	06.07.18	linear	4 POS NARROW INSIDE
		angles	±2°	mm	scale 2:1
		dr	D LEGRAND	04.10.18	dwg no
		engr	P NIZZI	04.10.18	sheet 3 of 3
		chr	D LEGRAND	04.10.18	73327
		appr	P NZ	04.10.18	type
		revision			CUSTOMER Drawing
Sheet	index	sheet			



PDM: Rev:K

STATUS Released

Printed: Oct 01, 2010

form: A4