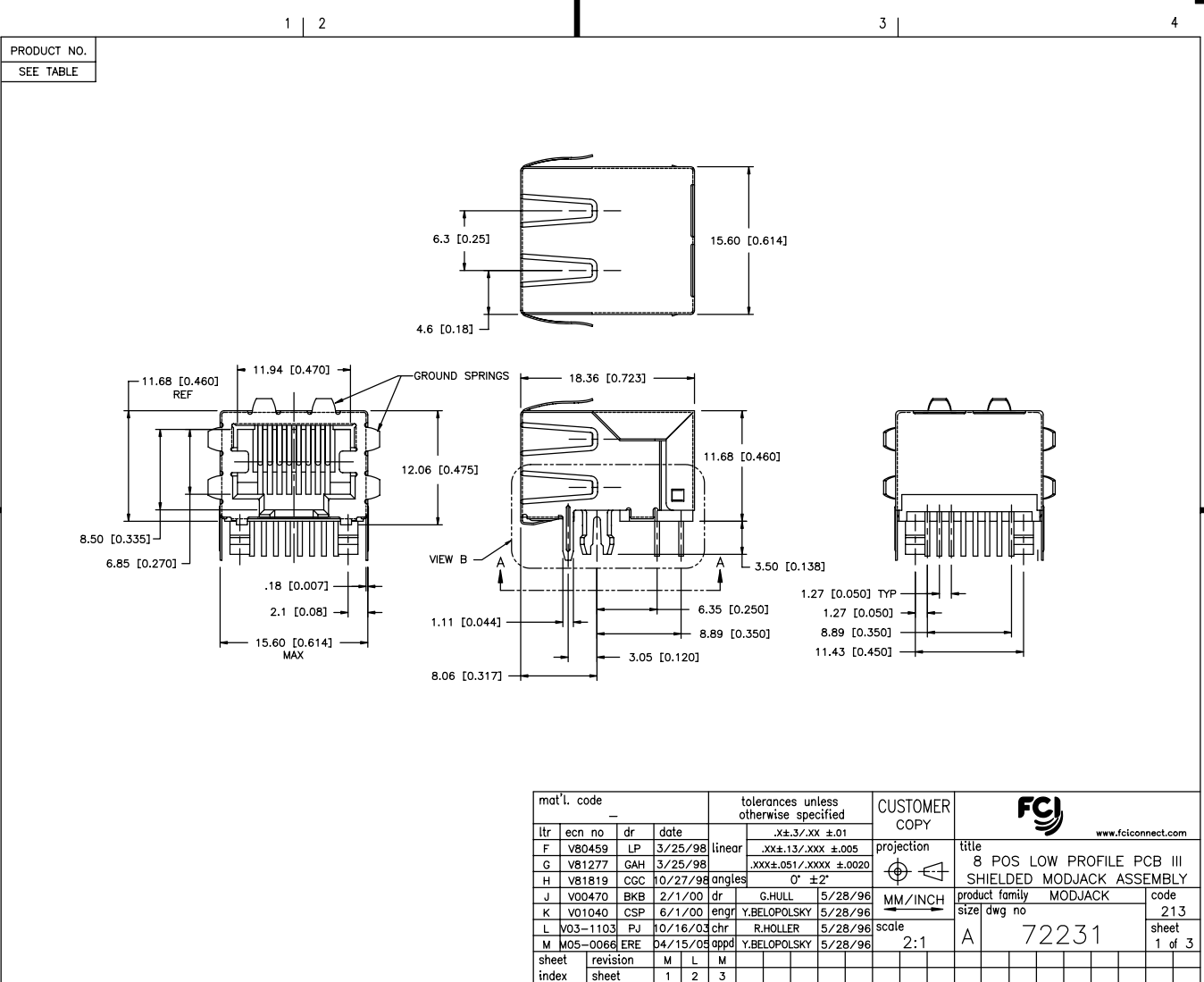


Tous droits strictement reserves. Reproduction ou communication a des tiers interdite sous quelque forme que ce soit sans autorisation écrite du propriétaire. Propriete de c FCI. Droits de reproduction FCI.



All rights strictly reserved. Reproduction or issue to third parties in any form whatever is not permitted without written authority from the proprietor. Property of FCI. Copyright FCI.



PRODUCT NO.
SEE TABLE

mat'l. code		tolerances unless otherwise specified		CUSTOMER COPY		FCI www.fciconnect.com	
ltr	ecn no	dr	date	linear	.X±.3/.XX ±.01	projection	title
F	V80459	LP	3/25/98		.XX±.13/.XXX ±.005		8 POS LOW PROFILE PCB III SHIELDED MODJACK ASSEMBLY
G	V81277	GAH	3/25/98		.XXX±.051/.XXXX ±.0020		product family MODJACK
H	V81819	CGC	10/27/98	angles	0° ±2°	MM/INCH	code 213
J	V00470	BKB	2/1/00	dr	G.HULL 5/28/96	scale 2:1	sheet 1 of 3
K	V01040	CSP	6/1/00	enfr	Y.BELOPOLSKY 5/28/96	A	72231
L	V03-1103	PJ	10/16/03	chr	R.HOLLER 5/28/96		
M	M05-0066	ERE	04/15/03	appd	Y.BELOPOLSKY 5/28/96		
sheet	revision	M	L	M			cage code
index	sheet	1	2	3			26

ACAD

PDM: Rev:M

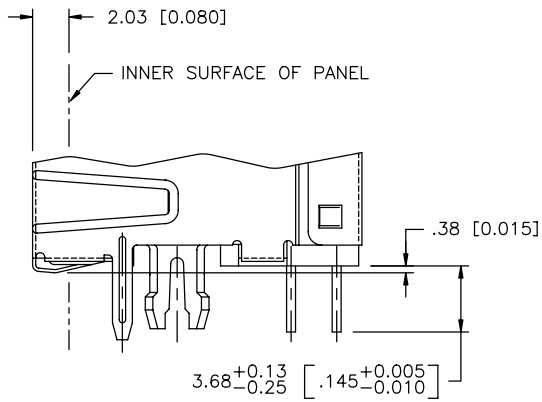
STATUS: Released 2.6 Printed: Aug 01, 2010

Tous droits strictement reserves. Reproduction ou communication a des tiers interdite sous quelque forme que ce soit sans autorisation écrite du propriétaire. Propriete de c FCI. Droits de reproduction FCI.

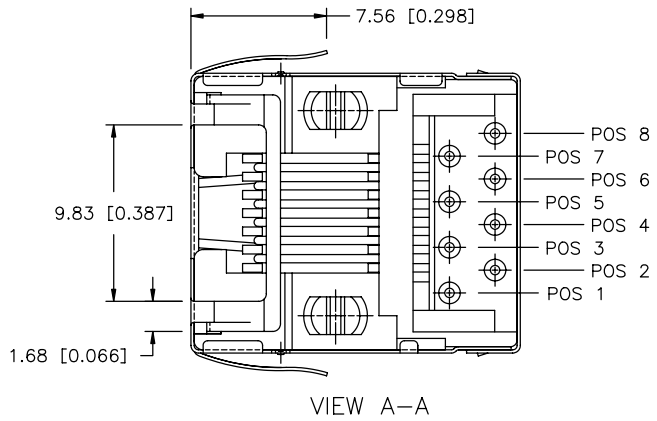


All rights strictly reserved. Reproduction or issue to third parties in any form whatever is not permitted without written authority from the proprietor. Property of FCI. Copyright FCI.

PRODUCT NO.
SEE TABLE



VIEW B



VIEW A-A

mat'l. code		tolerances unless otherwise specified		CUSTOMER COPY		www.fciconnect.com	
ltr	ecn no	dr	date	linear	projection	title	
L				.X±.3/.XX ±.01/ .XX±.13/.XXX ±.005 .XXX±.051/.XXXX ±.0020		8 POS LOW PROFILE PCB III SHIELDED MODJACK ASSEMBLY	
				angles	MM/INCH	product family	code
				0° ±2°	←	MODJACK	213
				dr	scale	size	sheet
				G.HULL 5/28/96	2:1	72231	2 of 3
				engr			
				Y.BELOPOLSKY 5/28/96			
				chr			
				R.HOLLER 5/28/96			
				appd			
				Y.BELOPOLSKY 5/28/96			
sheet	revision					cage code	
index	sheet						

ACAD

PDM: Rev:M

STATUS: Released 2.6 Printed: Aug 01, 2010

Tous droits strictement réservés. Reproduction ou communication a des tiers interdite sous quelque forme que ce soit sans autorisation écrite du propriétaire. Property of FCI. Droits de reproduction FCI.



All rights strictly reserved. Reproduction or issue to third parties in any form whatever is not permitted without written authority from the proprietor. Property of FCI. Copyright FCI.

PRODUCT NO. SEE TABLE																																										
PRODUCT NO. 72231-X8YZLF	8 POSITION HOUSING	<table border="1" style="width: 100%; border-collapse: collapse;"> <tr> <th>CODE Z</th> <th>GROUND SPRING CONFIGURATIONS</th> </tr> <tr> <td>1</td> <td>DIAGRAM #1</td> </tr> <tr> <td>2</td> <td>DIAGRAM #2</td> </tr> <tr> <td>3</td> <td>DIAGRAM #3</td> </tr> <tr> <td>4</td> <td>DIAGRAM #4</td> </tr> </table>	CODE Z	GROUND SPRING CONFIGURATIONS	1	DIAGRAM #1	2	DIAGRAM #2	3	DIAGRAM #3	4	DIAGRAM #4		GROUND SPRING CONFIGURATIONS AS VIEWED FROM PORT SIDE																												
CODE Z	GROUND SPRING CONFIGURATIONS																																									
1	DIAGRAM #1																																									
2	DIAGRAM #2																																									
3	DIAGRAM #3																																									
4	DIAGRAM #4																																									
	<table border="1" style="width: 100%; border-collapse: collapse;"> <tr> <th>OPTIONAL LOADING CODE Y</th> <th>POSITIONS LOADED</th> </tr> <tr> <td>4</td> <td>3,4,5,6</td> </tr> <tr> <td>6</td> <td>2,3,4,5,6,7</td> </tr> <tr> <td>8</td> <td>ALL POS</td> </tr> </table>	OPTIONAL LOADING CODE Y	POSITIONS LOADED	4	3,4,5,6	6	2,3,4,5,6,7	8	ALL POS	NOTE: PLEASE CHECK FOR AVAILABILITY, NOT ALL OPTIONS AVAILABLE.																																
OPTIONAL LOADING CODE Y	POSITIONS LOADED																																									
4	3,4,5,6																																									
6	2,3,4,5,6,7																																									
8	ALL POS																																									
<table border="1" style="width: 100%; border-collapse: collapse;"> <tr> <th>PLATING CODE X</th> <th>PLATING (9)</th> </tr> <tr> <td>0</td> <td>.76uM/30u" GXT</td> </tr> <tr> <td>3</td> <td>.76uM/30u" Au</td> </tr> <tr> <td>5</td> <td>1.27uM/50u" Au OVER Ni</td> </tr> </table>	PLATING CODE X	PLATING (9)	0	.76uM/30u" GXT	3	.76uM/30u" Au	5	1.27uM/50u" Au OVER Ni			RECOMMENDED PANEL OPENING																															
PLATING CODE X	PLATING (9)																																									
0	.76uM/30u" GXT																																									
3	.76uM/30u" Au																																									
5	1.27uM/50u" Au OVER Ni																																									
		RECOMMENDED P.C.B. LAYOUT AS VIEWED FROM TOP SIDE (COMPONENT SIDE)																																								
<p>NOTES:</p> <ol style="list-style-type: none"> RECOMMENDED P.C.B. THICKNESS 1.60 [0.063]. HOUSING MATL: HIGH TEMPERATURE THERMOPLASTIC MATERIAL, UL94V-0, COLOR BLACK. CONTACTS MATL: PHOS BRONZE ALLOY ROUND WIRE. SEE TABLE FOR PLATING. SHIELD MATL: PHOS BRONZE ALLOY, BRIGHT TIN PLATE OVER NICKEL UNDERPLATING PER BUS-15-002/M. TWO LAYERS OF HIGH TEMP. INSULATING TAPE BETWEEN SHIELD AND SIGNAL CONTACTS. LF SUFFIX AT THE END OF PART NUMBER IS LEAD FREE. THE HOUSING WILL WITHSTAND EXPOSURE TO 260°C PEAK TEMPERATURE FOR 15 SECONDS IN A WAVE SOLDER APPLICATION WITH A 1.5mm MINIMUM THICK CIRCUIT BOARD. SEE APPLICATION NOTES/PROCEDURES IF THEY ARE AVAILABLE. THIS PRODUCT MEETS EUROPEAN UNION DIRECTIVES AND OTHER COUNTRY REGULATION AS DESCRIBED IN GS-22-008. PLATING OPTIONS: MAY BE EITHER GOLD OR GXT PLATED AT MANUFACTURER'S OPTION. 																																										
<table border="1" style="width: 100%; border-collapse: collapse;"> <tr> <th>mat'l. code</th> <th>tolerances unless otherwise specified</th> <th>CUSTOMER COPY</th> <th colspan="2" style="text-align: center;"> www.fciconnect.com</th> </tr> <tr> <td>ltr</td> <td>.x±.3/.xx ±.01</td> <td>projection</td> <td colspan="2" rowspan="2"> </td> </tr> <tr> <td>M</td> <td>.xx±.13/.xxx ±.005</td> <td>MM/INCH</td> </tr> <tr> <td></td> <td>.xxx±.051/.xxxx ±.0020</td> <td>scale</td> <td colspan="2" rowspan="2"> title 8 POS LOW PROFILE PCB III SHIELDED MODJACK ASSEMBLY product family MODJACK code 213 size dwg no 72231 sheet 3 of 3 </td> </tr> <tr> <td></td> <td>angles 0° ±2°</td> <td>2:1</td> </tr> <tr> <td></td> <td>dr G.HULL 5/28/96</td> <td></td> <td colspan="2" rowspan="2"> sheet revision index sheet </td> </tr> <tr> <td></td> <td>enrg Y.BELOPOLSKY 5/28/96</td> <td></td> </tr> <tr> <td></td> <td>chr R.HOLLER 5/28/96</td> <td></td> <td colspan="2" rowspan="2"> cage code ACAD PDM: Rev:M STATUS: Released 2.6 Printed: Aug 01, 2014 </td> </tr> <tr> <td></td> <td>appd Y.BELOPOLSKY 5/28/96</td> <td></td> </tr> </table>		mat'l. code	tolerances unless otherwise specified	CUSTOMER COPY	www.fciconnect.com		ltr	.x±.3/.xx ±.01	projection			M	.xx±.13/.xxx ±.005	MM/INCH		.xxx±.051/.xxxx ±.0020	scale	title 8 POS LOW PROFILE PCB III SHIELDED MODJACK ASSEMBLY product family MODJACK code 213 size dwg no 72231 sheet 3 of 3			angles 0° ±2°	2:1		dr G.HULL 5/28/96		sheet revision index sheet			enrg Y.BELOPOLSKY 5/28/96			chr R.HOLLER 5/28/96		cage code ACAD PDM: Rev:M STATUS: Released 2.6 Printed: Aug 01, 2014			appd Y.BELOPOLSKY 5/28/96					
mat'l. code	tolerances unless otherwise specified	CUSTOMER COPY	www.fciconnect.com																																							
ltr	.x±.3/.xx ±.01	projection																																								
M	.xx±.13/.xxx ±.005	MM/INCH																																								
	.xxx±.051/.xxxx ±.0020	scale	title 8 POS LOW PROFILE PCB III SHIELDED MODJACK ASSEMBLY product family MODJACK code 213 size dwg no 72231 sheet 3 of 3																																							
	angles 0° ±2°	2:1																																								
	dr G.HULL 5/28/96		sheet revision index sheet																																							
	enrg Y.BELOPOLSKY 5/28/96																																									
	chr R.HOLLER 5/28/96		cage code ACAD PDM: Rev:M STATUS: Released 2.6 Printed: Aug 01, 2014																																							
	appd Y.BELOPOLSKY 5/28/96																																									

A

B

1 | 2

3 |

4