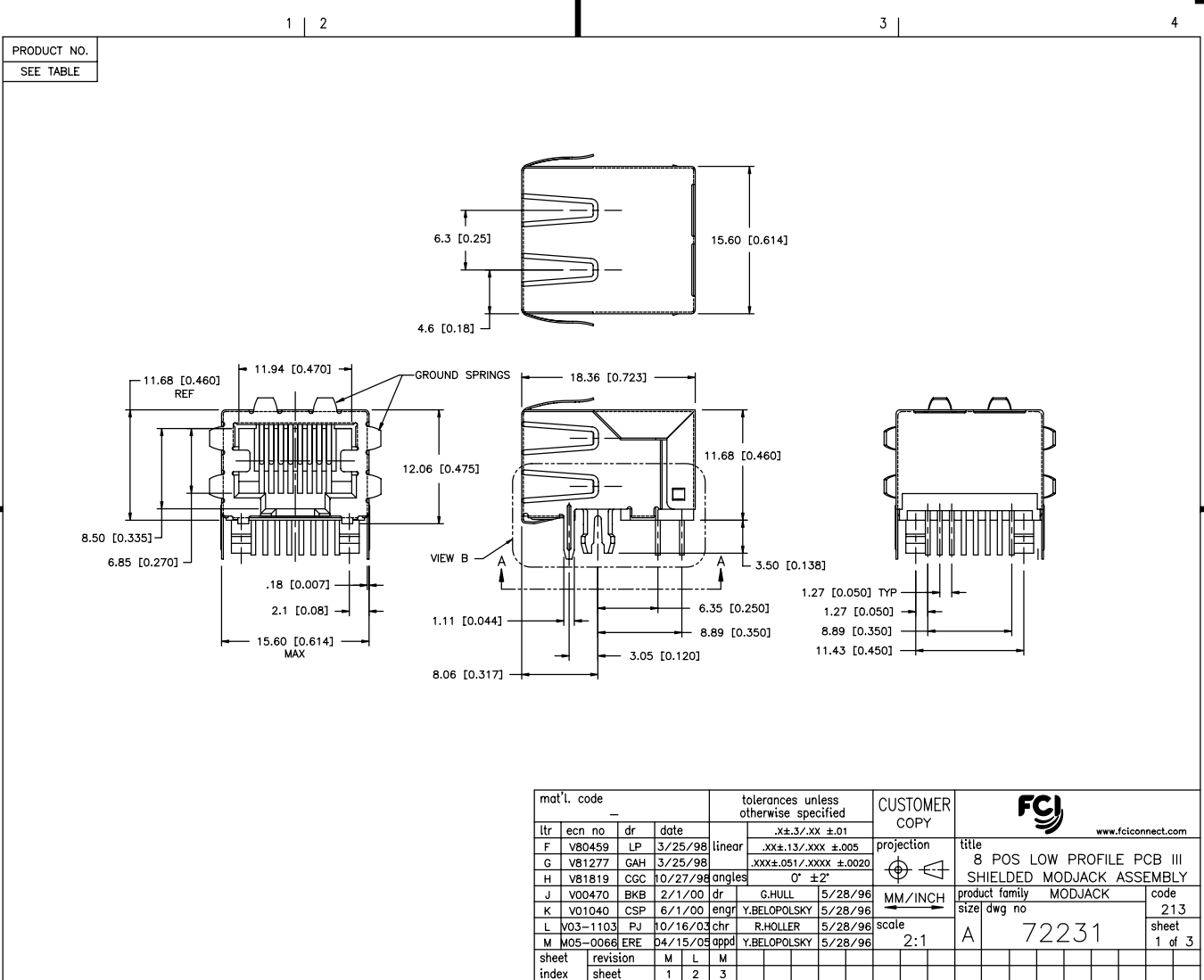


Tous droits strictement reserves. Reproduction ou communication a des tiers interdite sous quelque forme que ce soit sans autorisation écrite du propriétaire. Propriete de c FCI. Droits de reproduction FCI.



All rights strictly reserved. Reproduction or issue to third parties in any form whatever is not permitted without written authority from the proprietor. Property of FCI. Copyright FCI.



PRODUCT NO.
SEE TABLE

| mat'l. code | | | | tolerances unless otherwise specified | | CUSTOMER COPY | | FCI www.fciconnect.com | |
|-------------|----------|-----|----------|---------------------------------------|------------------------|---------------|---|---------------------------|------|
| ltr | ecn no | dr | date | linear | .X±.3/.XX ±.01 | projection | title | | |
| F | V80459 | LP | 3/25/98 | | .XX±.13/.XXX ±.005 | | 8 POS LOW PROFILE PCB III SHIELDED MODJACK ASSEMBLY | | |
| G | V81277 | GAH | 3/25/98 | | .XXX±.051/.XXXX ±.0020 | | | product family | code |
| H | V81819 | CGC | 10/27/98 | angles | 0° ±2° | MM/INCH | MODJACK | 213 | |
| J | V00470 | BKB | 2/1/00 | dr | G.HULL 5/28/96 | scale | dwg no | sheet | |
| K | V01040 | CSP | 6/1/00 | enfr | Y.BELOPOLSKY 5/28/96 | 2:1 | A | 1 of 3 | |
| L | V03-1103 | PJ | 10/16/03 | chr | R.HOLLER 5/28/96 | | 72231 | | |
| M | M05-0066 | ERE | 04/15/03 | appd | Y.BELOPOLSKY 5/28/96 | | | | |
| sheet | revision | M | L | M | | | cage code | | |
| index | sheet | 1 | 2 | 3 | | | | | |

ACAD

PDM: Rev:M

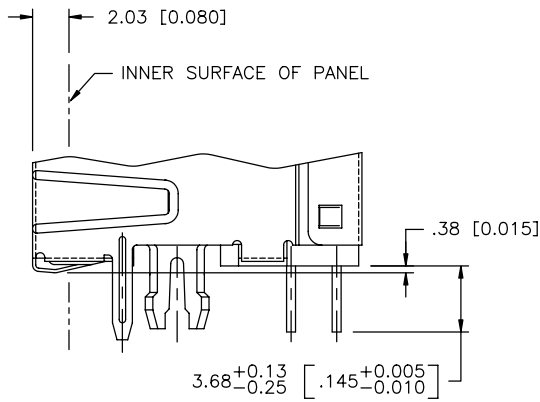
STATUS: Released 2.6 Printed: Aug 01, 2010

Tous droits strictement reserves. Reproduction ou communication a des tiers interdite sous quelque forme que ce soit sans autorisation écrite du propriétaire. Propriete de c FCI. Droits de reproduction FCI.

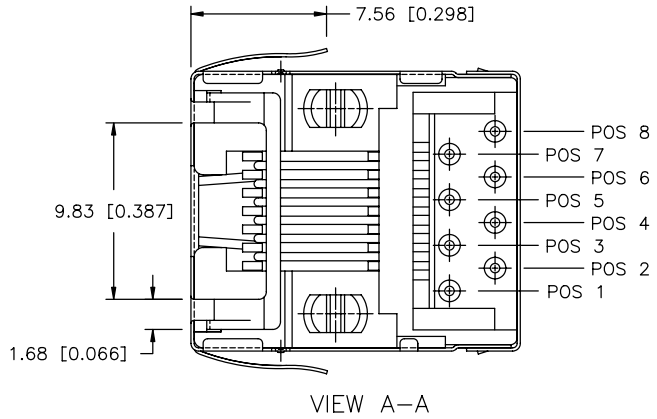


All rights strictly reserved. Reproduction or issue to third parties in any form whatever is not permitted without written authority from the proprietor. Property of FCI. Copyright FCI.

PRODUCT NO.
SEE TABLE



VIEW B



VIEW A-A

| | | | | | | | |
|-------------|----------|---------------------------------------|------|---|------------|--|--------|
| mat'l. code | | tolerances unless otherwise specified | | CUSTOMER COPY | | www.fciconnect.com | |
| ltr | ecn no | dr | date | linear | projection | title | |
| L | | | | .X±.3/.XX ±.01/ .XX±.13/.XXX ±.005 .XXX±.051/.XXXX ±.0020 | | 8 POS LOW PROFILE PCB III SHIELDED MODJACK ASSEMBLY | |
| | | | | angles | MM/INCH | product family | code |
| | | | | 0° ±2° | | MODJACK | 213 |
| | | | | dr | scale | size | sheet |
| | | | | G.HULL 5/28/96 | 2:1 | 72231 | 2 of 3 |
| | | | | engr | | | |
| | | | | Y.BELOPOLSKY 5/28/96 | | | |
| | | | | chr | | | |
| | | | | R.HOLLER 5/28/96 | | | |
| | | | | appd | | | |
| | | | | Y.BELOPOLSKY 5/28/96 | | | |
| sheet | revision | | | | | cage code | |
| index | sheet | | | | | | |

ACAD

PDM: Rev:M

STATUS: Released 2.6 Printed: Aug 01, 2010

Tous droits strictement réservés. Reproduction ou communication a des tiers interdite sous quelque forme que ce soit sans autorisation écrite du propriétaire. Property of FCI. Droits de reproduction FCI.



All rights strictly reserved. Reproduction or issue to third parties in any form whatever is not permitted without written authority from the proprietor. Property of FCI. Copyright FCI.

| PRODUCT NO. SEE TABLE | PRODUCT NO. 72231-X8YZLF | <table border="1" style="width: 100%; border-collapse: collapse;"> <tr> <th>CODE Z</th> <th>GROUND SPRING CONFIGURATIONS</th> </tr> <tr> <td>1</td> <td>DIAGRAM #1</td> </tr> <tr> <td>2</td> <td>DIAGRAM #2</td> </tr> <tr> <td>3</td> <td>DIAGRAM #3</td> </tr> <tr> <td>4</td> <td>DIAGRAM #4</td> </tr> </table> | CODE Z | GROUND SPRING CONFIGURATIONS | 1 | DIAGRAM #1 | 2 | DIAGRAM #2 | 3 | DIAGRAM #3 | 4 | DIAGRAM #4 | <table border="1" style="width: 100%; border-collapse: collapse;"> <tr> <th>DIAGRAM #1</th> <th>DIAGRAM #2</th> <th>DIAGRAM #3</th> <th>DIAGRAM #4</th> </tr> <tr> <td></td> <td></td> <td></td> <td></td> </tr> </table> <p style="text-align: center;">GROUND SPRING CONFIGURATIONS AS VIEWED FROM PORT SIDE</p> | DIAGRAM #1 | DIAGRAM #2 | DIAGRAM #3 | DIAGRAM #4 | | | | | | | | | | | | | | | | | | | | | | | | | |
|--------------------------|--|---|---|------------------------------|---------------------------------------|---------------|------------------------|------------|------------------------|---|---|--------------------|--|---|------------|-------------------------------|------------|--|--|---------------|--|--|--|-------------------|--|--|--|---------------------------|--|--|--|----------------------|--|--|--|---------------------------|--|--|-------------|----------------|--|--|
| CODE Z | GROUND SPRING CONFIGURATIONS | | | | | | | | | | | | | | | | | | | | | | | | | | | | | | | | | | | | | | | | | |
| 1 | DIAGRAM #1 | | | | | | | | | | | | | | | | | | | | | | | | | | | | | | | | | | | | | | | | | |
| 2 | DIAGRAM #2 | | | | | | | | | | | | | | | | | | | | | | | | | | | | | | | | | | | | | | | | | |
| 3 | DIAGRAM #3 | | | | | | | | | | | | | | | | | | | | | | | | | | | | | | | | | | | | | | | | | |
| 4 | DIAGRAM #4 | | | | | | | | | | | | | | | | | | | | | | | | | | | | | | | | | | | | | | | | | |
| DIAGRAM #1 | DIAGRAM #2 | DIAGRAM #3 | DIAGRAM #4 | | | | | | | | | | | | | | | | | | | | | | | | | | | | | | | | | | | | | | | |
| | | | | | | | | | | | | | | | | | | | | | | | | | | | | | | | | | | | | | | | | | | |
| | <table border="1" style="width: 100%; border-collapse: collapse;"> <tr> <th>OPTIONAL LOADING CODE Y</th> <th>POSITIONS LOADED</th> </tr> <tr> <td>4</td> <td>3,4,5,6</td> </tr> <tr> <td>6</td> <td>2,3,4,5,6,7</td> </tr> <tr> <td>8</td> <td>ALL POS</td> </tr> </table> | OPTIONAL LOADING CODE Y | POSITIONS LOADED | 4 | 3,4,5,6 | 6 | 2,3,4,5,6,7 | 8 | ALL POS | <p style="text-align: center;">NOTE: PLEASE CHECK FOR AVAILABILITY, NOT ALL OPTIONS AVAILABLE.</p> <p style="text-align: center;"><u>RECOMMENDED PANEL OPENING</u></p> | | | | | | | | | | | | | | | | | | | | | | | | | | | | | | | | |
| OPTIONAL LOADING CODE Y | POSITIONS LOADED | | | | | | | | | | | | | | | | | | | | | | | | | | | | | | | | | | | | | | | | | |
| 4 | 3,4,5,6 | | | | | | | | | | | | | | | | | | | | | | | | | | | | | | | | | | | | | | | | | |
| 6 | 2,3,4,5,6,7 | | | | | | | | | | | | | | | | | | | | | | | | | | | | | | | | | | | | | | | | | |
| 8 | ALL POS | | | | | | | | | | | | | | | | | | | | | | | | | | | | | | | | | | | | | | | | | |
| | <table border="1" style="width: 100%; border-collapse: collapse;"> <tr> <th>PLATING CODE X</th> <th>PLATING ⑨</th> </tr> <tr> <td>0</td> <td>.76uM/30u" GXT</td> </tr> <tr> <td>3</td> <td>.76uM/30u" Au</td> </tr> <tr> <td>5</td> <td>1.27uM/50u" Au OVER Ni</td> </tr> </table> | PLATING CODE X | PLATING ⑨ | 0 | .76uM/30u" GXT | 3 | .76uM/30u" Au | 5 | 1.27uM/50u" Au OVER Ni | <p>NOTES:</p> <ol style="list-style-type: none"> RECOMMENDED P.C.B. THICKNESS 1.60 [0.063]. HOUSING MATL: HIGH TEMPERATURE THERMOPLASTIC MATERIAL, UL94V-0, COLOR BLACK. CONTACTS MATL: PHOS BRONZE ALLOY ROUND WIRE. SEE TABLE FOR PLATING. SHIELD MATL: PHOS BRONZE ALLOY, BRIGHT TIN PLATE OVER NICKEL UNDERPLATING PER BUS-15-002/M. TWO LAYERS OF HIGH TEMP. INSULATING TAPE BETWEEN SHIELD AND SIGNAL CONTACTS. LF SUFFIX AT THE END OF PART NUMBER IS LEAD FREE. THE HOUSING WILL WITHSTAND EXPOSURE TO 260°C PEAK TEMPERATURE FOR 15 SECONDS IN A WAVE SOLDER APPLICATION WITH A 1.5mm MINIMUM THICK CIRCUIT BOARD. SEE APPLICATION NOTES/PROCEDURES IF THEY ARE AVAILABLE. THIS PRODUCT MEETS EUROPEAN UNION DIRECTIVES AND OTHER COUNTRY REGULATION AS DESCRIBED IN GS-22-008. PLATING OPTIONS: MAY BE EITHER GOLD OR GXT PLATED AT MANUFACTURER'S OPTION. | | | | | | | | | | | | | | | | | | | | | | | | | | | | | | | | |
| PLATING CODE X | PLATING ⑨ | | | | | | | | | | | | | | | | | | | | | | | | | | | | | | | | | | | | | | | | | |
| 0 | .76uM/30u" GXT | | | | | | | | | | | | | | | | | | | | | | | | | | | | | | | | | | | | | | | | | |
| 3 | .76uM/30u" Au | | | | | | | | | | | | | | | | | | | | | | | | | | | | | | | | | | | | | | | | | |
| 5 | 1.27uM/50u" Au OVER Ni | | | | | | | | | | | | | | | | | | | | | | | | | | | | | | | | | | | | | | | | | |
| | <p style="text-align: center;"><u>RECOMMENDED P.C.B. LAYOUT</u> AS VIEWED FROM TOP SIDE (COMPONENT SIDE)</p> | | | | | | | | | | | | | | | | | | | | | | | | | | | | | | | | | | | | | | | | | |
| | | <table border="1" style="width: 100%; border-collapse: collapse;"> <tr> <th>mat'l. code</th> <th>tolerances unless otherwise specified</th> <th>CUSTOMER COPY</th> <th rowspan="2" style="text-align: center;"> www.fciconnect.com </th> </tr> <tr> <td>ltr</td> <td>.x±.3/.xx ±.01</td> <td>projection</td> </tr> <tr> <td>M</td> <td>.xx±.13/.xxx ±.005</td> <td>MM/INCH</td> <td> title 8 POS LOW PROFILE PCB III SHIELDED MODJACK ASSEMBLY product family MODJACK size dwg no 72231 code 213 sheet 3 of 3 </td> </tr> <tr> <td></td> <td>linear .xxx±.051/.xxxx ±.0020</td> <td>scale 2:1</td> <td></td> </tr> <tr> <td></td> <td>angles 0° ±2°</td> <td></td> <td></td> </tr> <tr> <td></td> <td>dr G.HULL 5/28/96</td> <td></td> <td></td> </tr> <tr> <td></td> <td>enrg Y.BELOPOLSKY 5/28/96</td> <td></td> <td></td> </tr> <tr> <td></td> <td>chr R.HOLLER 5/28/96</td> <td></td> <td></td> </tr> <tr> <td></td> <td>appd Y.BELOPOLSKY 5/28/96</td> <td></td> <td></td> </tr> <tr> <td>sheet index</td> <td>revision sheet</td> <td></td> <td></td> </tr> </table> | | mat'l. code | tolerances unless otherwise specified | CUSTOMER COPY | www.fciconnect.com | ltr | .x±.3/.xx ±.01 | projection | M | .xx±.13/.xxx ±.005 | MM/INCH | title 8 POS LOW PROFILE PCB III SHIELDED MODJACK ASSEMBLY product family MODJACK size dwg no 72231 code 213 sheet 3 of 3 | | linear .xxx±.051/.xxxx ±.0020 | scale 2:1 | | | angles 0° ±2° | | | | dr G.HULL 5/28/96 | | | | enrg Y.BELOPOLSKY 5/28/96 | | | | chr R.HOLLER 5/28/96 | | | | appd Y.BELOPOLSKY 5/28/96 | | | sheet index | revision sheet | | |
| mat'l. code | tolerances unless otherwise specified | CUSTOMER COPY | www.fciconnect.com | | | | | | | | | | | | | | | | | | | | | | | | | | | | | | | | | | | | | | | |
| ltr | .x±.3/.xx ±.01 | projection | | | | | | | | | | | | | | | | | | | | | | | | | | | | | | | | | | | | | | | | |
| M | .xx±.13/.xxx ±.005 | MM/INCH | title 8 POS LOW PROFILE PCB III SHIELDED MODJACK ASSEMBLY product family MODJACK size dwg no 72231 code 213 sheet 3 of 3 | | | | | | | | | | | | | | | | | | | | | | | | | | | | | | | | | | | | | | | |
| | linear .xxx±.051/.xxxx ±.0020 | scale 2:1 | | | | | | | | | | | | | | | | | | | | | | | | | | | | | | | | | | | | | | | | |
| | angles 0° ±2° | | | | | | | | | | | | | | | | | | | | | | | | | | | | | | | | | | | | | | | | | |
| | dr G.HULL 5/28/96 | | | | | | | | | | | | | | | | | | | | | | | | | | | | | | | | | | | | | | | | | |
| | enrg Y.BELOPOLSKY 5/28/96 | | | | | | | | | | | | | | | | | | | | | | | | | | | | | | | | | | | | | | | | | |
| | chr R.HOLLER 5/28/96 | | | | | | | | | | | | | | | | | | | | | | | | | | | | | | | | | | | | | | | | | |
| | appd Y.BELOPOLSKY 5/28/96 | | | | | | | | | | | | | | | | | | | | | | | | | | | | | | | | | | | | | | | | | |
| sheet index | revision sheet | | | | | | | | | | | | | | | | | | | | | | | | | | | | | | | | | | | | | | | | | |