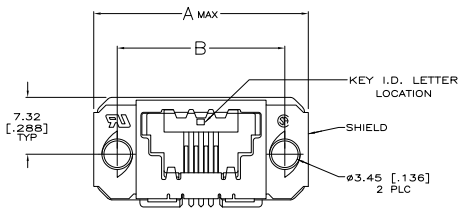
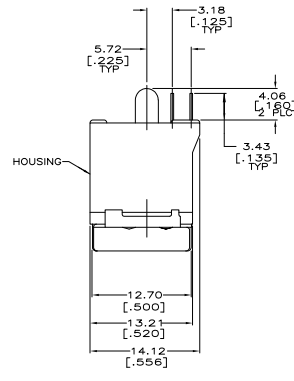
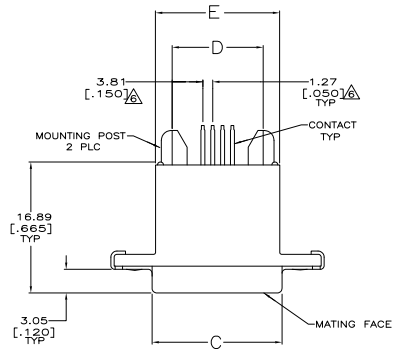


THIS DRAWING IS UNPUBLISHED. REPRODUCED FOR IDENTIFICATION.  
 © SPURGE, 2004 BY TDS ELECTRONICS CORPORATION. ALL RIGHTS RESERVED.

REV	DATE	DESCRIPTION	BY	CHK	APP
00					
B		REVISED PER ECO-06-000728			

- PREFIX AND SUFFIX NUMBERS MUST MATCH THOSE ON PLUG ASSEMBLY FOR PARTS TO MATE.
- POLYESTER, FLAME RETARDANT, UL 94V-O RATED, GLASS FILLED, BLACK.
- 0.76µm [.000030] MIN BRIGHT TIN OVER 1.27µm [.000050] MIN NICKEL.
- 1.27µm [.000050] MIN GOLD ON MATING SURFACE FOR A LENGTH OF 2.54 [.100] MIN, 3.81µm [.000150] MIN MATE TIN ON OPPOSITE END FOR A LENGTH OF 3.81 [.150] MIN, BOTH OVER 1.27µm [.000050] MIN NICKEL ON ENTIRE CONTACT.
- OBsolete



31.24	26.67	31.98	36.83	43.18	16	E	5-1761183-6
[1.230]	[1.050]	[1.259]	[1.450]	[1.700]			
21.08	16.51	21.82	26.67	33.02	8	E	5-1761183-3
[.830]	[.650]	[.859]	[1.050]	[1.300]			
18.54	13.97	19.28	24.13	30.48	6	E	5-1761183-2
[.730]	[.550]	[.759]	[.950]	[1.200]			
16.00	11.43	16.74	21.59	27.94	4	E	5-1761183-1
[.630]	[.450]	[.659]	[.850]	[1.100]			
16.00	11.43	16.74	21.59	27.94	4	D	4-1761183-1
[.630]	[.450]	[.659]	[.850]	[1.100]			
21.08	16.51	21.82	26.67	33.02	8	C	3-1761183-3
[.830]	[.650]	[.859]	[1.050]	[1.300]			
16.00	11.43	16.74	21.59	27.94	4	C	3-1761183-1
[.630]	[.450]	[.659]	[.850]	[1.100]			
31.24	26.67	31.98	36.83	43.18	16	A	1-1761183-6
[1.230]	[1.050]	[1.259]	[1.450]	[1.700]			
21.08	16.51	21.82	26.67	33.02	8	A	1-1761183-3
[.830]	[.650]	[.859]	[1.050]	[1.300]			
18.54	13.97	19.28	24.13	30.48	6	A	1-1761183-2
[.730]	[.550]	[.759]	[.950]	[1.200]			
16.00	11.43	16.74	21.59	27.94	4	A	1-1761183-1
[.630]	[.450]	[.659]	[.850]	[1.100]			

E	D	C	B	A	NO OF POSN	KEY I.D. LETTER	PART NO

THIS DRAWING IS A CONTROLLED DOCUMENT. IN THE EVENT OF A DISCREPANCY BETWEEN THIS DRAWING AND THE PART, THE PART SHALL PREVAIL.

REVISIONS: 108-2047, 114-2081

DATE: 11-14-2004

SIZE: 4.1

CUSTOMER DRAWING

RECEPTACLE ASSEMBLY, TOP ENTRY, S0L

1761183