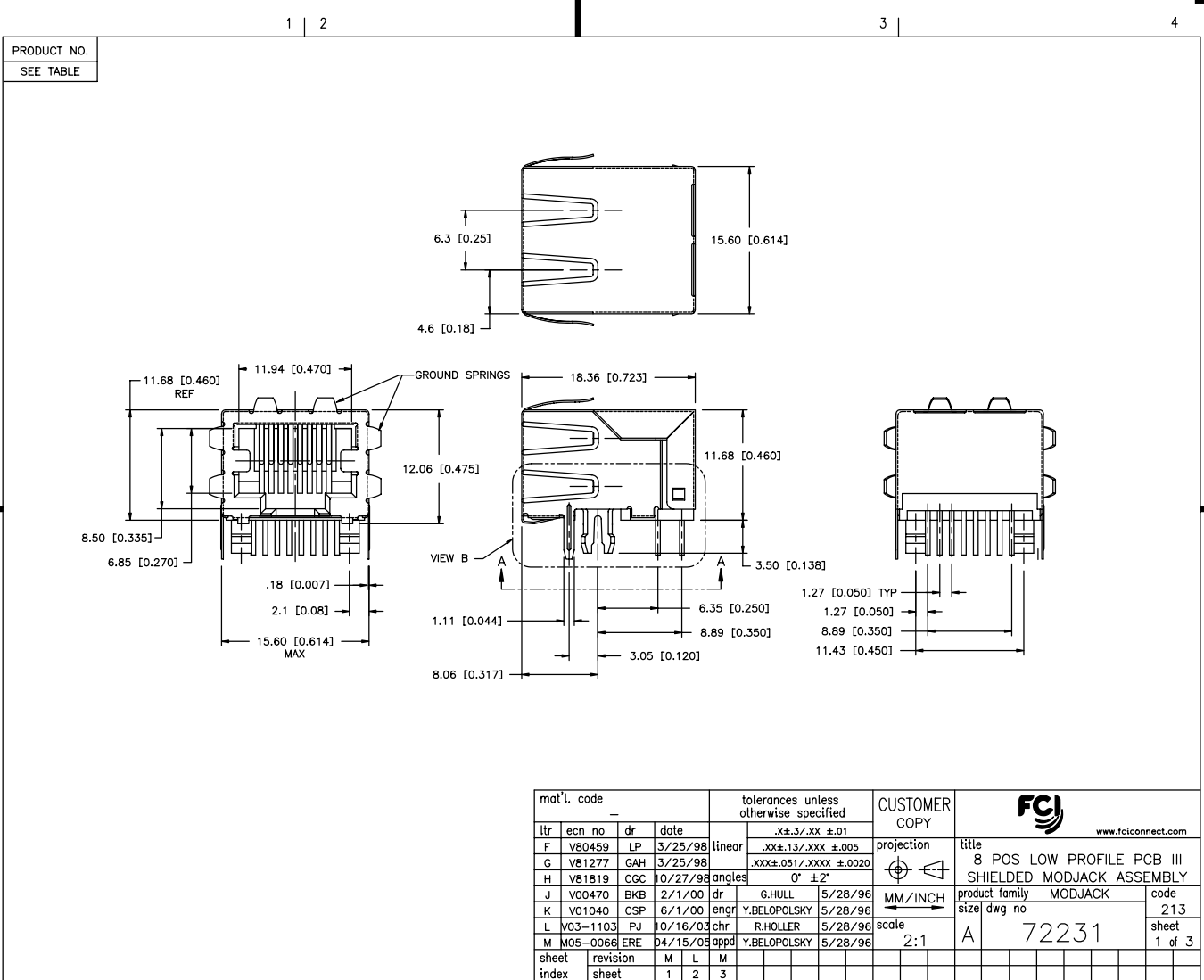


Tous droits strictement reserves. Reproduction ou communication a des tiers interdite sous quelque forme que ce soit sans autorisation écrite du propriétaire. Propriete de c FCI. Droits de reproduction FCI.



All rights strictly reserved. Reproduction or issue to third parties in any form whatever is not permitted without written authority from the proprietor. Property of FCI. Copyright FCI.



PRODUCT NO.
SEE TABLE

mat'l. code				tolerances unless otherwise specified		CUSTOMER COPY		FCI www.fciconnect.com	
ltr	ecn no	dr	date	linear	.X±.3/.XX ±.01	projection	title		
F	V80459	LP	3/25/98		.XX±.13/.XXX ±.005		8 POS LOW PROFILE PCB III SHIELDED MODJACK ASSEMBLY		
G	V81277	GAH	3/25/98		.XXX±.051/.XXXX ±.0020			product family	code
H	V81819	CGC	10/27/98	angles	0° ±2°	MM/INCH	MODJACK	213	
J	V00470	BKB	2/1/00	dr	G.HULL 5/28/96	scale	dwg no	sheet	
K	V01040	CSP	6/1/00	enfr	Y.BELOPOLSKY 5/28/96	2:1	A	1 of 3	
L	V03-1103	PJ	10/16/03	chr	R.HOLLER 5/28/96		72231		
M	M05-0066	ERE	04/15/03	appd	Y.BELOPOLSKY 5/28/96				
sheet	revision	M	L	M			cage code		
index	sheet	1	2	3					

ACAD

PDM: Rev:M

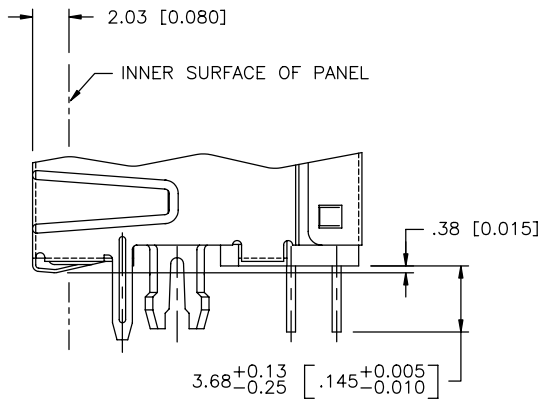
STATUS: Released 2.6 Printed: Aug 01, 2010

Tous droits strictement reserves. Reproduction ou communication a des tiers interdite sous quelque forme que ce soit sans autorisation écrite du propriétaire. Propriete de c FCI. Droits de reproduction FCI.

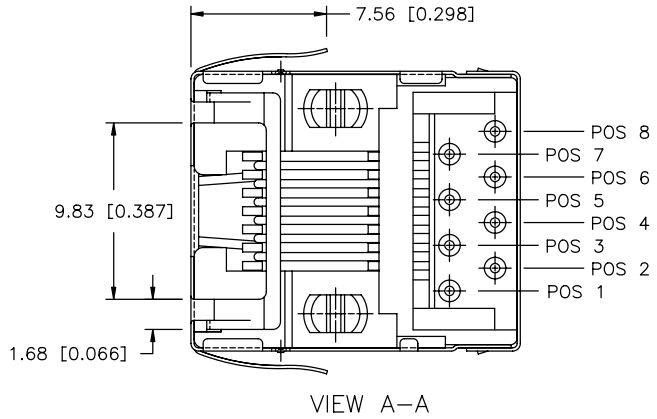


All rights strictly reserved. Reproduction or issue to third parties in any form whatever is not permitted without written authority from the proprietor. Property of FCI. Copyright FCI.

PRODUCT NO.	SEE TABLE
-------------	-----------



VIEW B



VIEW A-A

mat'l. code		tolerances unless otherwise specified		CUSTOMER COPY		www.fciconnect.com	
ltr	ecn no	dr	date	linear	projection	title	
L				.X±.3/.XX ±.01/ .XX±.13/.XXX ±.005 .XXX±.051/.XXXX ±.0020		8 POS LOW PROFILE PCB III SHIELDED MODJACK ASSEMBLY	
				angles	MM/INCH	product family	code
				dr G.HULL 5/28/96	scale	MODJACK	213
				engr Y.BELOPOLSKY 5/28/96	2:1	size	sheet
				chr R.HOLLER 5/28/96		dwg no	2 of 3
				appd Y.BELOPOLSKY 5/28/96		A	
sheet index	revision sheet					cage code	

1 | 2

ACAD

PDM: Rev:M

STATUS: Released 2.6 Printed: Aug 01, 2010

B

Tous droits strictement reserves. Reproduction ou communication a des tiers interdite sous quelque forme que ce soit sans autorisation écrite duproprietaire. Property of FCI. Droits de reproduction FCI.

FCJ
All rights strictly reserved. Reproduction or issue to third parties in any form whatever is not permitted without written authority from the proprietor. Property of FCI. Copyright FCI.

PRODUCT NO. SEE TABLE																																																																															
PRODUCT NO. 72231-X8YZLF	<table border="1" style="width:100%; border-collapse: collapse;"> <tr> <th>CODE Z</th> <th>GROUND SPRING CONFIGURATIONS</th> </tr> <tr> <td>1</td> <td>DIAGRAM #1</td> </tr> <tr> <td>2</td> <td>DIAGRAM #2</td> </tr> <tr> <td>3</td> <td>DIAGRAM #3</td> </tr> <tr> <td>4</td> <td>DIAGRAM #4</td> </tr> </table>	CODE Z	GROUND SPRING CONFIGURATIONS	1	DIAGRAM #1	2	DIAGRAM #2	3	DIAGRAM #3	4	DIAGRAM #4	<p style="text-align: center;">GROUND SPRING CONFIGURATIONS AS VIEWED FROM PORT SIDE</p>																																																																			
CODE Z	GROUND SPRING CONFIGURATIONS																																																																														
1	DIAGRAM #1																																																																														
2	DIAGRAM #2																																																																														
3	DIAGRAM #3																																																																														
4	DIAGRAM #4																																																																														
<table border="1" style="width:100%; border-collapse: collapse;"> <tr> <th>OPTIONAL LOADING CODE Y</th> <th>POSITIONS LOADED</th> </tr> <tr> <td>4</td> <td>3,4,5,6</td> </tr> <tr> <td>6</td> <td>2,3,4,5,6,7</td> </tr> <tr> <td>8</td> <td>ALL POS</td> </tr> </table>	OPTIONAL LOADING CODE Y	POSITIONS LOADED	4	3,4,5,6	6	2,3,4,5,6,7	8	ALL POS	<table border="1" style="width:100%; border-collapse: collapse;"> <tr> <th>PLATING CODE X</th> <th>PLATING (9)</th> </tr> <tr> <td>0</td> <td>.76uM/30u" GXT</td> </tr> <tr> <td>3</td> <td>.76uM/30u" Au</td> </tr> <tr> <td>5</td> <td>1.27uM/50u" Au OVER Ni</td> </tr> </table>	PLATING CODE X	PLATING (9)	0	.76uM/30u" GXT	3	.76uM/30u" Au	5	1.27uM/50u" Au OVER Ni	<p style="text-align: center;">NOTE: PLEASE CHECK FOR AVAILABILITY, NOT ALL OPTIONS AVAILABLE.</p> <p style="text-align: center;">RECOMMENDED PANEL OPENING</p>																																																													
OPTIONAL LOADING CODE Y	POSITIONS LOADED																																																																														
4	3,4,5,6																																																																														
6	2,3,4,5,6,7																																																																														
8	ALL POS																																																																														
PLATING CODE X	PLATING (9)																																																																														
0	.76uM/30u" GXT																																																																														
3	.76uM/30u" Au																																																																														
5	1.27uM/50u" Au OVER Ni																																																																														
<table border="1" style="width:100%; border-collapse: collapse;"> <tr> <th>PLATING CODE X</th> <th>PLATING (9)</th> </tr> <tr> <td>0</td> <td>.76uM/30u" GXT</td> </tr> <tr> <td>3</td> <td>.76uM/30u" Au</td> </tr> <tr> <td>5</td> <td>1.27uM/50u" Au OVER Ni</td> </tr> </table>	PLATING CODE X	PLATING (9)	0	.76uM/30u" GXT	3	.76uM/30u" Au	5	1.27uM/50u" Au OVER Ni	<p style="text-align: center;">NOTES:</p> <ol style="list-style-type: none"> 1. RECOMMENDED P.C.B. THICKNESS 1.60 [0.063]. 2. HOUSING MATL: HIGH TEMPERATURE THERMOPLASTIC MATERIAL, UL94V-0, COLOR BLACK. 3. CONTACTS MATL: PHOS BRONZE ALLOY ROUND WIRE. SEE TABLE FOR PLATING. 4. SHIELD MATL: PHOS BRONZE ALLOY, BRIGHT TIN PLATE OVER NICKEL UNDERPLATING PER BUS-15-002/M. 5. TWO LAYERS OF HIGH TEMP. INSULATING TAPE BETWEEN SHIELD AND SIGNAL CONTACTS. 6. LF SUFFIX AT THE END OF PART NUMBER IS LEAD FREE. 7. THE HOUSING WILL WITHSTAND EXPOSURE TO 260°C PEAK TEMPERATURE FOR 15 SECONDS IN A WAVE SOLDER APPLICATION WITH A 1.5mm MINIMUM THICK CIRCUIT BOARD. SEE APPLICATION NOTES/PROCEDURES IF THEY ARE AVAILABLE. 8. THIS PRODUCT MEETS EUROPEAN UNION DIRECTIVES AND OTHER COUNTRY REGULATION AS DESCRIBED IN GS-22-008. 9. PLATING OPTIONS: MAY BE EITHER GOLD OR GXT PLATED AT MANUFACTURER'S OPTION. 																																																																						
PLATING CODE X	PLATING (9)																																																																														
0	.76uM/30u" GXT																																																																														
3	.76uM/30u" Au																																																																														
5	1.27uM/50u" Au OVER Ni																																																																														
<p style="text-align: center;">RECOMMENDED P.C.B. LAYOUT AS VIEWED FROM TOP SIDE (COMPONENT SIDE)</p>																																																																															
<table border="1" style="width:100%; border-collapse: collapse;"> <tr> <th>ltr</th> <th>ecn no</th> <th>dr</th> <th>date</th> <th>linear</th> <th>projection</th> <th>title</th> </tr> <tr> <td>M</td> <td></td> <td></td> <td></td> <td>.x±.3/.xx ±.01</td> <td></td> <td>8 POS LOW PROFILE PCB III SHIELDED MODJACK ASSEMBLY</td> </tr> <tr> <td></td> <td></td> <td></td> <td></td> <td>.xx±.13/.xxx ±.005</td> <td></td> <td>product family MODJACK code 213</td> </tr> <tr> <td></td> <td></td> <td></td> <td></td> <td>.xxx±.051/.xxxx ±.0020</td> <td>MM/INCH</td> <td>size dwg no 72231 sheet 3 of 3</td> </tr> <tr> <td></td> <td></td> <td></td> <td></td> <td>0° ±2'</td> <td>scale 2:1</td> <td></td> </tr> <tr> <td></td> <td></td> <td></td> <td></td> <td>dr G.HULL 5/28/96</td> <td></td> <td></td> </tr> <tr> <td></td> <td></td> <td></td> <td></td> <td>engr Y.BELOPOLSKY 5/28/96</td> <td></td> <td></td> </tr> <tr> <td></td> <td></td> <td></td> <td></td> <td>chr R.HOLLER 5/28/96</td> <td></td> <td></td> </tr> <tr> <td></td> <td></td> <td></td> <td></td> <td>appd Y.BELOPOLSKY 5/28/96</td> <td></td> <td></td> </tr> <tr> <td>sheet index</td> <td>revision sheet</td> <td colspan="2"></td> <td colspan="2"></td> <td>cage code 26</td> </tr> </table>				ltr	ecn no	dr	date	linear	projection	title	M				.x±.3/.xx ±.01		8 POS LOW PROFILE PCB III SHIELDED MODJACK ASSEMBLY					.xx±.13/.xxx ±.005		product family MODJACK code 213					.xxx±.051/.xxxx ±.0020	MM/INCH	size dwg no 72231 sheet 3 of 3					0° ±2'	scale 2:1						dr G.HULL 5/28/96							engr Y.BELOPOLSKY 5/28/96							chr R.HOLLER 5/28/96							appd Y.BELOPOLSKY 5/28/96			sheet index	revision sheet					cage code 26						
ltr	ecn no	dr	date	linear	projection	title																																																																									
M				.x±.3/.xx ±.01		8 POS LOW PROFILE PCB III SHIELDED MODJACK ASSEMBLY																																																																									
				.xx±.13/.xxx ±.005		product family MODJACK code 213																																																																									
				.xxx±.051/.xxxx ±.0020	MM/INCH	size dwg no 72231 sheet 3 of 3																																																																									
				0° ±2'	scale 2:1																																																																										
				dr G.HULL 5/28/96																																																																											
				engr Y.BELOPOLSKY 5/28/96																																																																											
				chr R.HOLLER 5/28/96																																																																											
				appd Y.BELOPOLSKY 5/28/96																																																																											
sheet index	revision sheet					cage code 26																																																																									