

PRODUCT NUMBER  
73306-XXXLF

PLATING OPTION  
1= CXT 0.76  $\mu\text{m}$   
3= GOLD 0.76  $\mu\text{m}$   
5= GOLD 1.27  $\mu\text{m}$

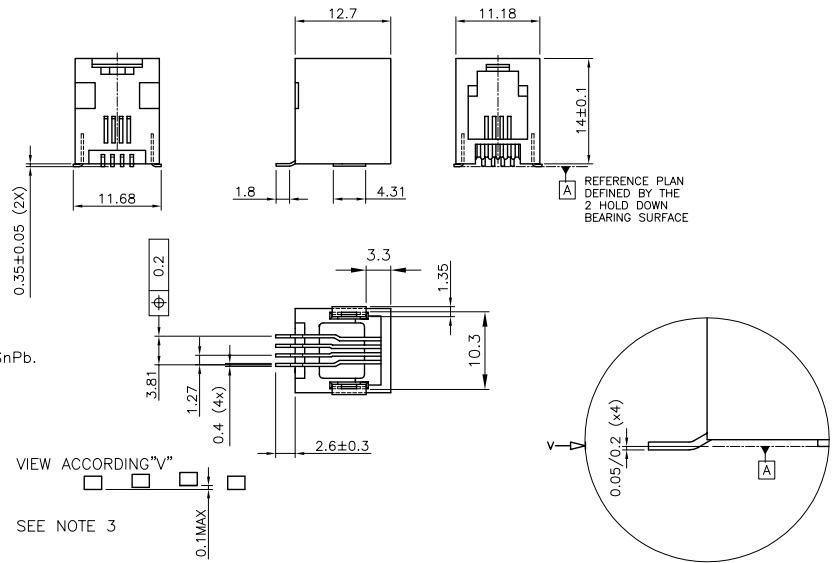
PACKAGE OPTION  
1= TAPE ON REEL  
2= TUBE  
3= TAPE ON REEL  
IN PLASTIC BAG

TERMINAL LOADING  
1= FULLY LOADED

WHEN NEEDED, SUFFIX LETTER "LF"  
INDICATES THE PRODUCT IS RoHS  
COMPATIBLE, SEE NOTE 4.

NOTES:

- 1 - MATERIAL: HOUSING: HIGH TEMP. NYLON, COLOUR BLACK.  
TERMINAL: PHOSPHOR BRONZE.
- 2 - PLATING: CONTACT AREA: SEE TABLE.  
SOLDER TAIL : 90/10 SnPb 2 $\mu\text{m}$  MIN.  
WHEN SUFFIX "LF" IS REQUIRED, 2 $\mu\text{m}$  MIN MATTE  
TIN OVER 1.27 MIN Ni IS SUPPLIED INSTEAD OF SnPb.  
NO RAW EDGES EXCEPT SOLDER TAIL TIPS
- 3 - SOLDER TAILS COPLANARITY : 0.1 mm
- 4 - RoHS COMPATIBLE PRODUCT SPECIFICATIONS
  - a - PLATING:
    - "LF" MEANS THE PRODUCT IS LEAD-FREE,  
2 $\mu\text{m}$  MINIMUM MATTE TIN OVER 1.27 $\mu\text{m}$   
MINIMUM NICKEL UNDERPLATE.
  - b - MANUFACTURING PROCESS COMPATIBILITY
    - THE HOUSING WILL WITHSTAND EXPOSURE TO  
245°C PEAK TEMPERATURE FOR 30 SECONDS  
MAX IN A CONVECTION, INFRA-RED OR VAPOR  
PHASE OR REFLOW OVEN.
  - c - LABELING:
    - MEETS PACKAGING SPECS AS PER GS-14-920
  - d - LEGAL STATEMENT: SEE GS-22-008
- 5 - PACKAGING FOR OPTION 3: EACH REEL IS WRAPPED INTO A PLASTIC BAG  
TO PROTECT FROM MOISTURE DURING STACKING TIME.



VIEW ACCORDING "V"

SEE NOTE 3

CUSTOMER COPY FOR REFERENCE ONLY

mat'l. code		surface		tolerance		projection		product family	
		ISO 1302		ISO 406 ISO 1101		⊕		MOD JACK	
Ltr	ec'n no	dr	date	tolerances unless otherwise specified		⊕		title	
H	F05-0247	DLE	05.09.12	angles		±0.13		SMT RA JACK	
J	F06-0240	DLE	06.07.18	linear		mm		4 POS NARROW OUTSIDE	
K	F09-0070	LSA	09.07.23	±2'		scale 2:1		dwg no	
				dr		D LEGRAND		04.10.18	
				engn		P NIZZI		04.10.18	
				chr		D LEGRAND		04.10.18	
				appd		P NZ		04.10.18	
				sheet		revision		J F B	
				index		sheet		1 2 3	

PDM: Rev:K

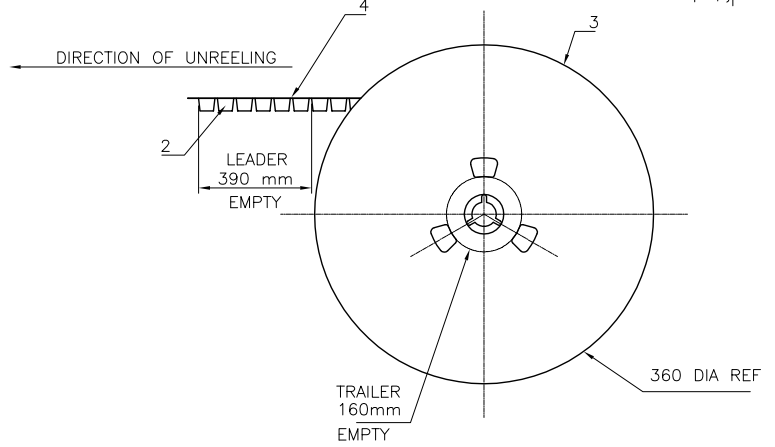
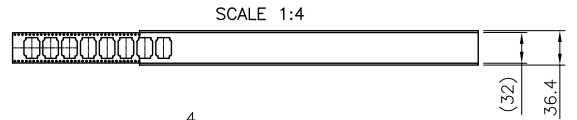
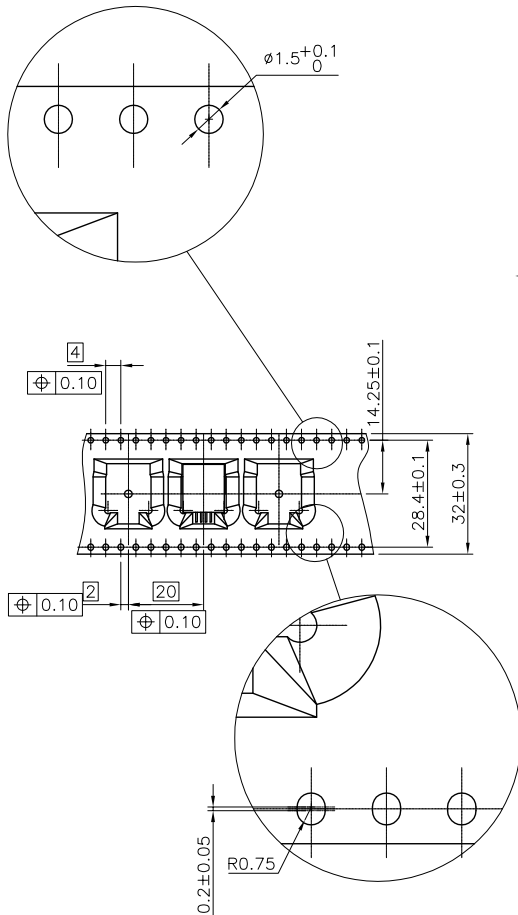
STATUS Released

Printed: Oct 01, 2010



PRODUCT NUMBER  
SEE SHEET 1

LTR	PART NAME	QTY
1	PRODUCT	280
2	TAPE	1
3	REEL	1
4	COVER TAPE	1



1- IN ACCORDANCE WITH EIA-481 AND IEC 296-3

CUSTOMER COPY FOR REFERENCE ONLY									
mat'l. code	surface	ISO 1302	tolerance	ISO 406	ISO 1101	projection	product family	MOD-JACK	
Ltr	ecm no	dr	date	tolerances unless otherwise specified		mm	title	SMT RA JACK	
E	F90120	DLE	99.02.01	angles	linear	mm	4	POS. NARROW OUTSIDE	
F	F06.0240	DLE	06.07.18			scale 1:1	dwg no	sheet 2 of 3	size
							73306		A3
							type	CUSTOMER Drawing	
sheet index	revision sheet								

PDM: Rev:K

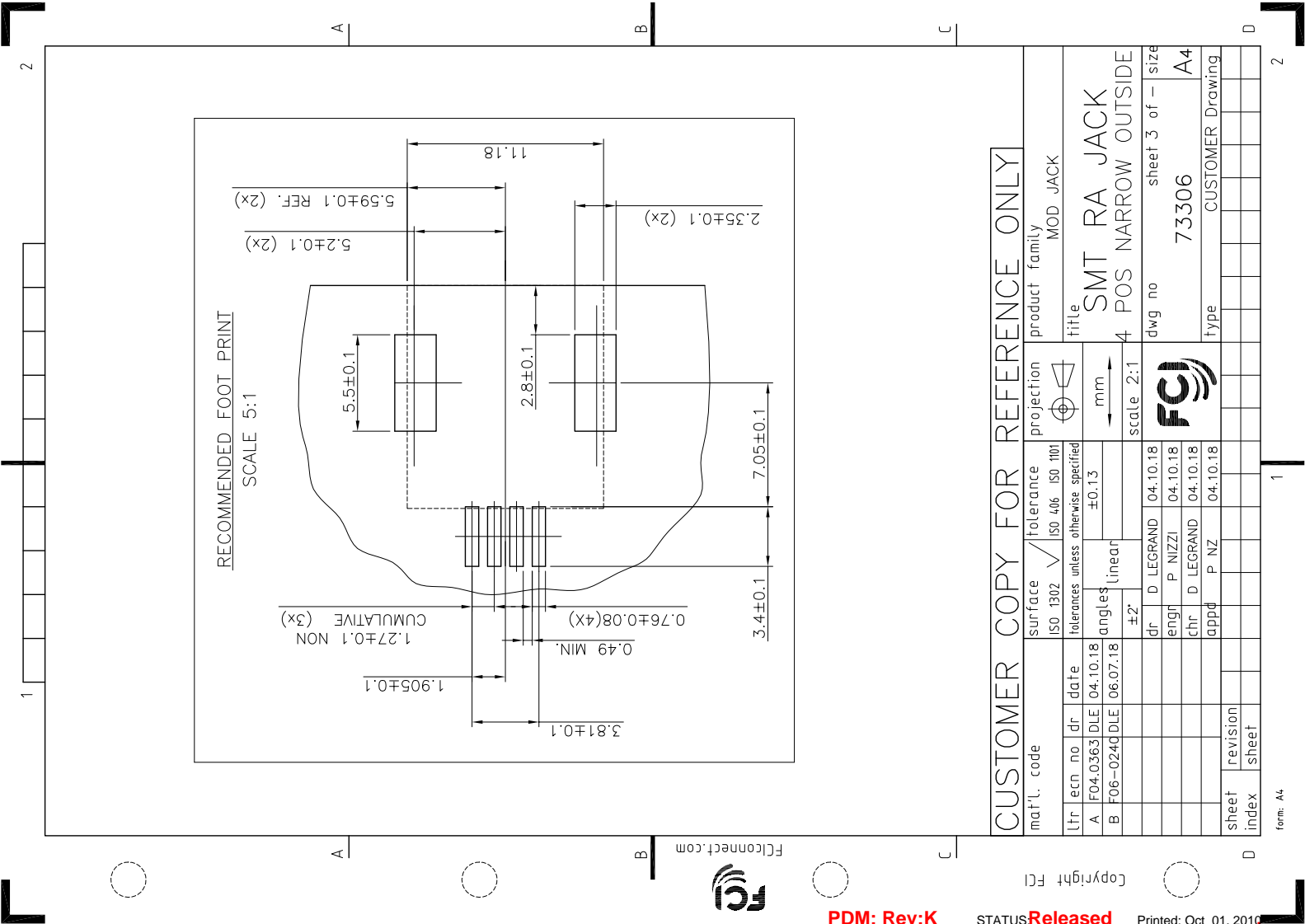
STATUS Released

Printed: Oct 01, 2010



Copyright FCI

form: A3



**CUSTOMER COPY FOR REFERENCE ONLY**

mat'l. code	surface	tolerance	projection	product family
	ISO 1302	ISO 406 ISO 101		MOD JACK
ltr	ecn no	date	tolerances unless otherwise specified	title
A	F04-0363	DLE 04.10.18	±0.13	SMT RA JACK
B	F06-024Q	DLE 06.07.18	linear	4 POS NARROW OUTSIDE
			angles	scale 2:1
			±2°	sheet 3 of 3 size
	dr	D LEGRAND	04.10.18	73306
	enfr	P NIZZI	04.10.18	A4
	chr	D LEGRAND	04.10.18	CUSTOMER Drawing
	appd	P NZ	04.10.18	
Sheet	revision			
Index	sheet			



PDM: Rev:K

STATUS Released

Printed: Oct 01, 2010

Form: A4