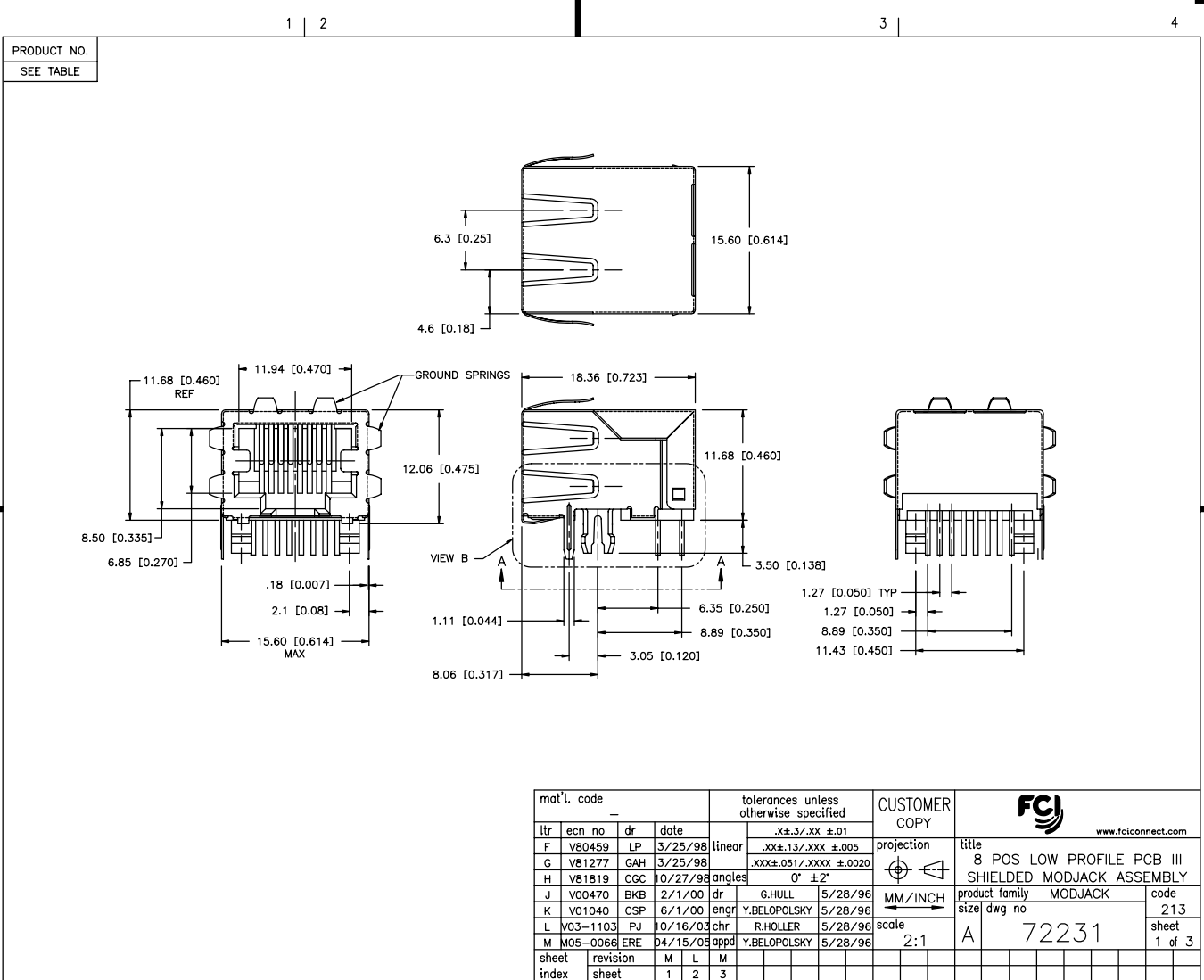


Tous droits strictement réservés. Reproduction ou communication a des tiers interdite sous quelque forme que ce soit sans autorisation écrite du propriétaire. Propriété de c FCI. Droits de reproduction FCI.



All rights strictly reserved. Reproduction or issue to third parties in any form whatever is not permitted without written authority from the proprietor. Property of FCI. Copyright FCI.



PRODUCT NO.  
SEE TABLE

mat'l. code				tolerances unless otherwise specified		CUSTOMER COPY	www.fciconnect.com
ltr	ecn no	dr	date	linear	.X±.3/.XX ±.01	projection	
F	V80459	LP	3/25/98		.XX±.13/.XXX ±.005		
G	V81277	GAH	3/25/98		.XXX±.051/.XXXX ±.0020		product family
H	V81819	CGC	10/27/98	angles	0° ±2°	size	dwg no
J	V00470	BKB	2/1/00	dr	G.HULL 5/28/96	scale	2:1
K	V01040	CSP	6/1/00	enfr	Y.BELOPOLSKY 5/28/96	A	72231
L	V03-1103	PJ	10/16/03	chr	R.HOLLER 5/28/96		sheet
M	M05-0066	ERE	04/15/05	appd	Y.BELOPOLSKY 5/28/96		1 of 3
sheet	revision	M	L	M			
index	sheet	1	2	3			

ACAD

PDM: Rev:M

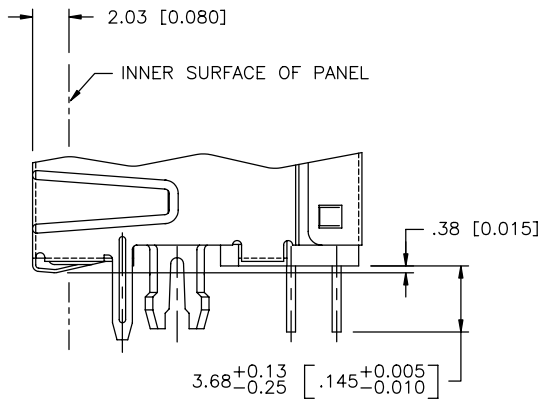
STATUS: Released 2.6 Printed: Aug 01, 2010

Tous droits strictement reserves. Reproduction ou communication a des tiers interdite sous quelque forme que ce soit sans autorisation écrite du propriétaire. Propriete de c FCI. Droits de reproduction FCI.

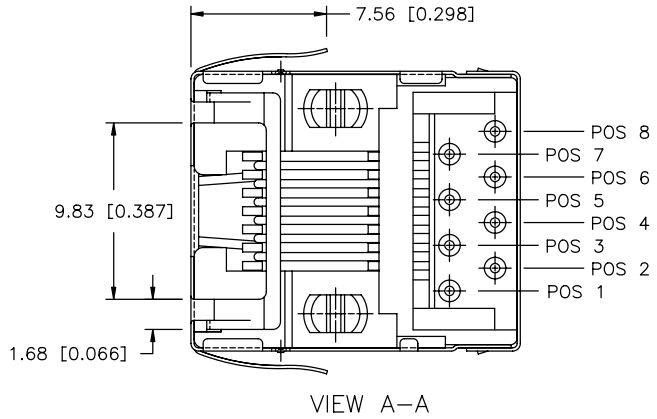


All rights strictly reserved. Reproduction or issue to third parties in any form whatever is not permitted without written authority from the proprietor. Property of FCI. Copyright FCI.

PRODUCT NO.  
SEE TABLE



VIEW B



VIEW A-A

mat'l. code		tolerances unless otherwise specified		CUSTOMER COPY		www.fciconnect.com	
ltr	ecn no	dr	date	linear	projection	title	
L				.X±.3/.XX ±.01/ .XX±.13/.XXX ±.005 .XXX±.051/.XXXX ±.0020		8 POS LOW PROFILE PCB III SHIELDED MODJACK ASSEMBLY	
				angles	MM/INCH	product family	code
				dr	scale	MODJACK	213
				engr	2:1	size	sheet
				chr		dwg no	2 of 3
				appd		A	
sheet	revision						
index	sheet						

ACAD

PDM: Rev:M

STATUS: Released 2.6 Printed: Aug 01, 2010

Tous droits strictement reserves. Reproduction ou communication a des tiers interdite sous quelque forme que ce soit sans autorisation écrite duproprietaire. Property of FCI. Droits de reproduction FCI.



All rights strictly reserved. Reproduction or issue to third parties in any form whatever is not permitted without written authority from the proprietor. Property of FCI. Copyright FCI.

1 | 2 | 3 | 4

PRODUCT NO. SEE TABLE

PRODUCT NO. 72231-X8YZLF

CODE Z	GROUND SPRING CONFIGURATIONS
1	DIAGRAM #1
2	DIAGRAM #2
3	DIAGRAM #3
4	DIAGRAM #4

GROUND SPRING CONFIGURATIONS AS VIEWED FROM PORT SIDE

NOTE: PLEASE CHECK FOR AVAILABILITY, NOT ALL OPTIONS AVAILABLE.

OPTIONAL LOADING CODE Y	POSITIONS LOADED
4	3,4,5,6
6	2,3,4,5,6,7
8	ALL POS

PLATING CODE X	PLATING (9)
0	.76uM/30u" GXT
3	.76uM/30u" Au
5	1.27uM/50u" Au OVER Ni

8 POSITION HOUSING

RECOMMENDED PANEL OPENING

RECOMMENDED P.C.B. LAYOUT  
AS VIEWED FROM TOP SIDE (COMPONENT SIDE)

NOTES:

1. RECOMMENDED P.C.B. THICKNESS 1.60 [0.063].
2. HOUSING MATL: HIGH TEMPERATURE THERMOPLASTIC MATERIAL, UL94V-0, COLOR BLACK.
3. CONTACTS MATL: PHOS BRONZE ALLOY ROUND WIRE. SEE TABLE FOR PLATING.
4. SHIELD MATL: PHOS BRONZE ALLOY, BRIGHT TIN PLATE OVER NICKEL UNDERPLATING PER BUS-15-002/M.
5. TWO LAYERS OF HIGH TEMP. INSULATING TAPE BETWEEN SHIELD AND SIGNAL CONTACTS.
6. LF SUFFIX AT THE END OF PART NUMBER IS LEAD FREE.
7. THE HOUSING WILL WITHSTAND EXPOSURE TO 260°C PEAK TEMPERATURE FOR 15 SECONDS IN A WAVE SOLDER APPLICATION WITH A 1.5mm MINIMUM THICK CIRCUIT BOARD. SEE APPLICATION NOTES/PROCEDURES IF THEY ARE AVAILABLE.
8. THIS PRODUCT MEETS EUROPEAN UNION DIRECTIVES AND OTHER COUNTRY REGULATION AS DESCRIBED IN GS-22-008.
9. PLATING OPTIONS: MAY BE EITHER GOLD OR GXT PLATED AT MANUFACTURER'S OPTION.

mat'l. code	tolerances unless otherwise specified	CUSTOMER COPY	FCI
ltr	.x±.3/.xx ±.01	projection	www.fciconnect.com
M	.xx±.13/.xxx ±.005	MM/INCH	title
	.xxx±.051/.xxxx ±.0020	scale	8 POS LOW PROFILE PCB III SHIELDED MODJACK ASSEMBLY
	angles 0° ±2°	size	product family MODJACK code 213
	dr G.HULL 5/28/96	dwg no	72231
	enrg Y.BELOPOLSKY 5/28/96	sheet	3 of 3
	chr R.HOLLER 5/28/96		
	appd Y.BELOPOLSKY 5/28/96		
sheet index	revision sheet	cage code	