

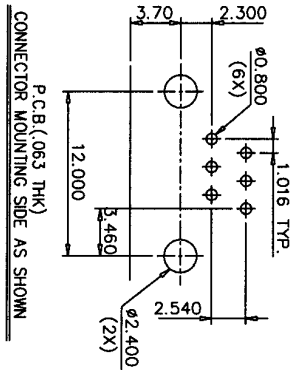


All rights strictly reserved. Reproduction or issue to third parties in any form whatsoever is not permitted without written authority from the proprietor.
 Property of c BERG ELECTRONICS.
 Copyright BERG ELECTRONICS by

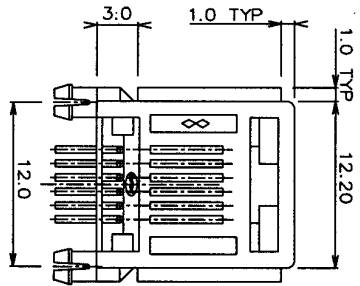
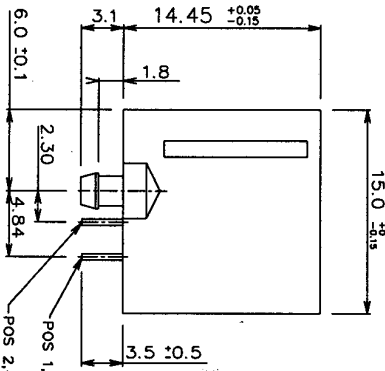
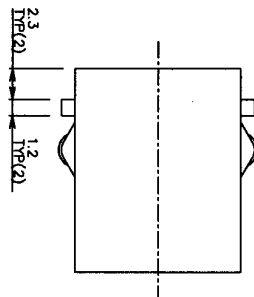
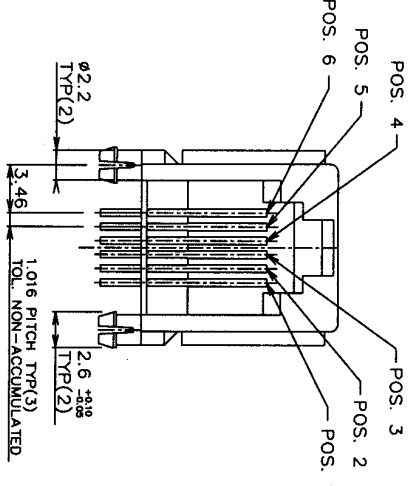
Tous droits strictement reserves. Reproduction ou communication a des tiers int sans aucune forme que ce soit sans autorisation ecrite du proprietaire.
 propriete de c BERG ELECTRONICS.
 Droits de reproduction BERG ELECTRONICS by

PRODUCT NO	CONDUCTOR POS NO	CONDUCTOR ASSY POS NO	CONTACT PLATING	HOUSING COLOR
67968-001	6/4	2,3,4,5	15u" AU	GRAY
67968-001LF				GRAY
67968-002	6/6	1,2,3,4,5,6	15u" AU	GRAY
67968-002LF				GRAY

LEAD FREE PRODUCT NO.



P.C.B.(063 THK)
 CONNECTOR MOUNTING SIDE AS SHOWN



- NOTE:
- FOR VISUAL, MECHANICAL AND FUNCTIONAL REQUIREMENTS SEE PRODUCT SPEC. 110-075.
 - HOUSING MATL: GLASS REINFORCED NYLON 66 ZYTEL-FR50, UL 94 V-0.
 - GOLD WIRE MATL: PHOSPHOR BRONZE 0.06 DIA.
 - A. STANDARD PACKAGING METHOD(USE TRAY): SEE GS-14-351.
 B. NON-STANDARD PACKAGING METHOD(USE TUBE): SEE GS-14-358.
 THE PART NO. SHOULD BE SUFFIXED WITH "T" OR "TUF".
 (E.G:67968-001T OR 67968-001TUF)
 - MATABLE PLUG: PLUG CONFORMED TO FCC TYPE 623.
 - THIS PRODUCT MEETS EUROPEAN UNION DIRECTIVES AND OTHER COUNTRY REGULATIONS AS DESCRIBED IN GS-22-008.
 - THE HOUSING WILL WITHSTAND EXPOSURE TO 260°C. PEAK TEMPERATURE FOR 10 SECONDS IN A WAVE SOLDER APPLICATION WITH A 1.6mm MINIMUM THICK CIRCUIT BOARD.
 - IF LF P/N PACKAGING MEETS GS-14-920 SPECIFICATION.

rev.	ecn	no.	dr	date	lineor	tolerance unless otherwise specified	CUSTOMER COPY	title	code
H		110249			0004 ± 0.25			LOW PROFILE 6POS PCB MOD JACK	TW
J		180019		07/15/98	0005 ± 0.05				1 OF 1
K		180274		07/22/98	± 2				
L		103-0443		10/26/03	dr	KC CHOU	11/18/91	unit	
M		003-0002		07/26/04	engr	TONY CHIEN	11/25/91	mm/inch	
					chr	TONY CHIEN	11/25/91	scale	3:1
					oppl	ENNN TSAO	11/25/91	product family	67968
					index			sheet	1 OF 1

PDM: Rev:M STATUS:Released Printed: Mar 09, 2002