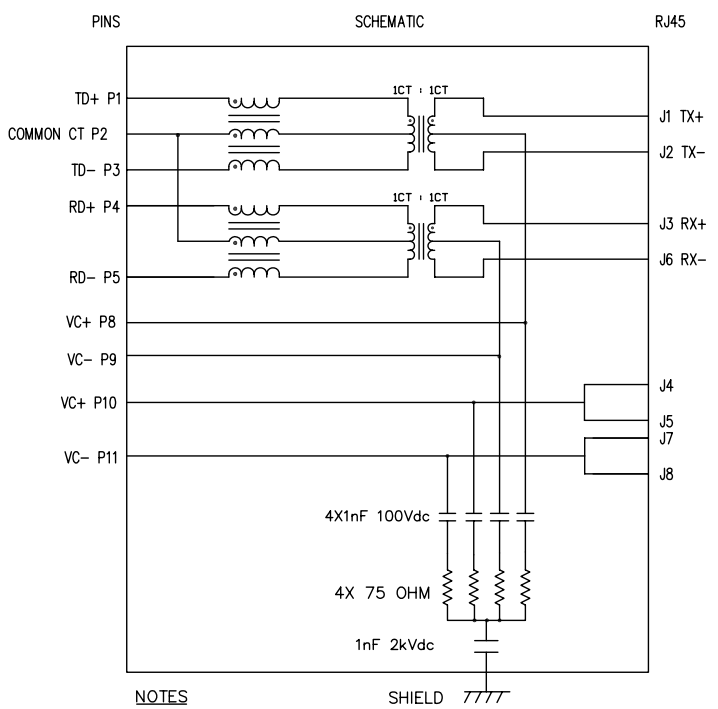




THE INFORMATION CONTAINED HEREIN IS CONSIDERED "PROPRIETARY" TO BEL FUSE INC. AND SHALL NOT BE COPIED, REPRODUCED OR DISCLOSED WITHOUT THE WRITTEN APPROVAL OF BEL FUSE INC.

**ELECTRICAL CHARACTERISTICS @ 25°C**

- 1.0 TURNS RATIO:  
 (P1-P3):(J1-J2) 1CT : 1CT ±2  
 (P4-P5):(J3-J6) 1CT : 1CT ±2
- 2.0 DC RESISTANCE:  
 (P1-P3):(P4-P5) 1.4 OHMS  
 (J1-J2):(J3-J6) 1.2 OHMS
- 3.0 INDUCTANCE:  
 (P1-P3) 350uH MIN. @ 0.1V, 100KHz, 8mA DC BIAS  
 (P4-P5) 350uH MIN. @ 0.1V, 100KHz, 8mA DC BIAS
- 4.0 LEAKAGE INDUCTANCE:  
 (P4-P5) WITH J6 AND J3 SHORT 0.3uH MAX. @ 1MHz  
 (P1-P3) WITH J2 AND J1 SHORT 0.3uH MAX. @ 1MHz
- 5.0 INTERWINDING CAPACITANCE:  
 (P4,P5) TO (J3,J6) 30pF TYP @ 1MHz  
 (P1,P2,P3) TO (J1,J2) 30pF TYP @ 1MHz
- 6.0 RETURN LOSS: (P1-P3)=100 OHMS REF. AND (P4-P5)=100 OHM REF.  
 1MHz TO 30MHz -18dB MIN.  
 30MHz TO 60MHz -(19-20LOG(f/30MHz))  
 60MHz TO 80MHz 12dB MIN.
- 7.0 DIELECTRIC WITHSTAND:  
 (J3,J6) TO (P4,P5) 1500Vrms  
 (J1,J2) TO (P1,P3) 1500Vrms
- 8.0 INSERTION LOSS: RS=RL=100 OHMS  
 1MHz-65MHz -1dB MAX
- 9.0 RISE TIME: RS=RL=100 OHMS  
 OUTPUT VOLTAGE = 1V PEAK 3.0nS MAX  
 PULSE WIDTH = 112nS 3.0nS MAX
- 10.0 CROSS TALK:  
 1MHz-65MHz -35dB MIN.
- 11.0 CM TO CM ATTENUATION  
 30MHz TO 100MHz -30dB MAX.  
 100MHz TO 130MHz -20dB MAX.
- 12.0 BALANCED DC LINE CURRENT: 350mA MAX @ 57 VDC CONTINUOUS  
 500mA MAX @ 57 VDC FOR 200 MILLSECONDS



NOTES SHIELD 7777

1.0 DESIGNED TO SUPPORT IEEE 802.3

<b>ORIGINATED BY</b> Bain Liu	<b>DATE</b> Aug-11-08	<b>TITLE</b> <b>MagJack®</b> 10/100BT, PoE TAB UP, SHIELDED	<b>PART NO. / DRAWING NO.</b> SI-52003-F	<b>STANDARD DIM. TOL. IN INCH</b>	<input type="checkbox"/> METRIC DIM. AS REFERENCE	<b>bel</b> COMPONENTS & PLANNING
<b>DRAWN BY</b> L.W. Yuan	<b>DATE</b> Aug-11-08		<b>FILE NAME</b> SI-52003-F.DWG	.X .XX .XXX ±0.005	UNIT : INCH [mm] SCALE : N/A PAGE : 1	

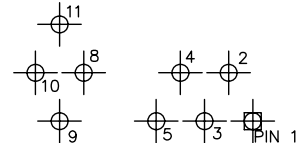
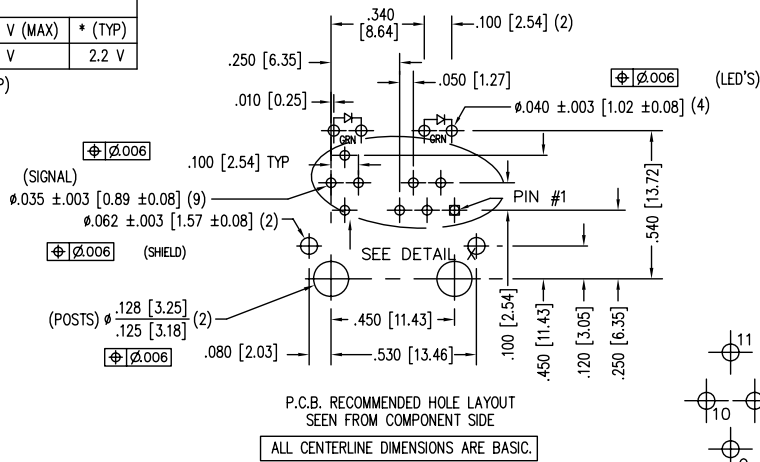
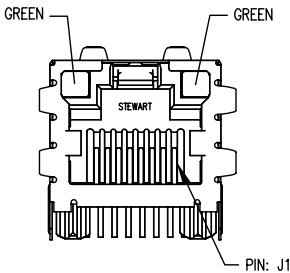
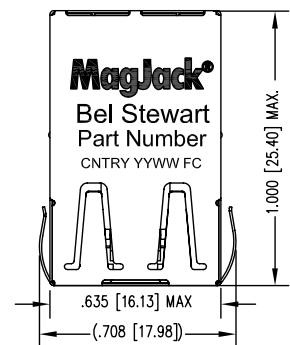
REV A1 06-30-2008 This document is electronically generated. This is a controlled copy if used internally

THE INFORMATION CONTAINED HEREIN IS CONSIDERED "PROPRIETARY" TO BEL FUSE INC. AND SHALL NOT BE COPIED, REPRODUCED OR DISCLOSED WITHOUT THE WRITTEN APPROVAL OF BEL FUSE INC.



LED SPECIFICATION			
STANDARD LED	WAVELENGTH	FORWARD V (MAX)	* (TYP)
GREEN	565 nm	2.5 V	2.2 V

\*WITH A FORWARD CURRENT OF 20 mA (TYP)



DETAIL X

NOTES:

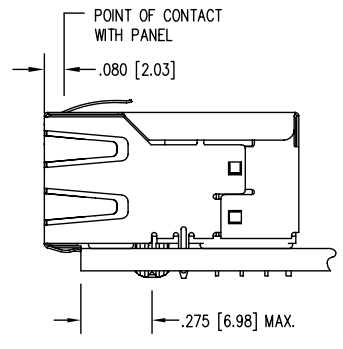
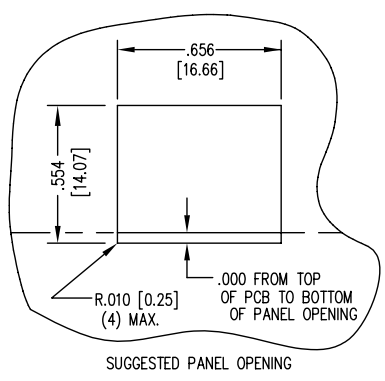
- CONNECTOR MATERIALS:  
HOUSING: THERMOPLASTIC UL94 V-0  
CONTACT/SHIELD: COPPER ALLOY  
SHIELD PLATING: NICKEL OR TIN  
CONTACT PLATING: SELECTIVE GOLD,  
50 MICRO-INCHES MIN. IN CONTACT AREA.
- PIN NOT ELECTRICALLY CONNECTED MAYBE OMITTED.  
SEE ELECTRICAL DRAWING FOR OMITTED PINS.
- TOLERANCES COMPLY WITH F.C.C. DIMENSION REQUIREMENTS.
- ALL TOLERANCES NOT OTHERWISE SPECIFIED TO BE ±0.005 [0.13]
- REFLOW AND WAVE SOLDER COMPATIBLE -260°C FOR  
10 SECONDS MAX.

ORIGINATED BY Bain Liu	DATE Aug-11-08	TITLE <b>MagJack®</b>	PART NO. / DRAWING NO. SI-52003-F	STANDARD DIM. TOL. IN INCH .X .XX .XXX ±0.005	[ ] METRIC DIM. AS REFERENCE UNIT : INCH [mm] SCALE : N/A PAGE : 2	REV. : A0 SIZE : A4	<b>bel</b> COMPONENTS & PLANT
DRAWN BY L.W. Yuan	DATE Aug-11-2008	10/100BT, PoE TAB UP, SHIELDED	FILE NAME SI-52003-F.DWG				

REV A1 06-30-2008

This document is electronically generated. This is a controlled copy if used internally

THE INFORMATION CONTAINED HEREIN IS CONSIDERED "PROPRIETARY" TO BEL FUSE INC. AND SHALL NOT BE COPIED, REPRODUCED OR DISCLOSED WITHOUT THE WRITTEN APPROVAL OF BEL FUSE INC.



1. THE SUGGESTED PANEL OPENING IS INTENDED TO GIVE THE USER THE ABILITY TO HAVE REASONABLE JACK / PANEL CLEARANCES YET MAINTAIN RELIABLE GROUNDING CAPABILITY.
2. ALL TOLERANCES NOT OTHERWISE SPECIFIED TO BE ±.005 [0.13]

<b>ORIGINATED BY</b> Bain Liu	<b>DATE</b> Aug-11-2008	<b>TITLE</b> <b>MagJack®</b> 10/100BT, PoE TAB UP, SHIELDED	<b>PART NO. / DRAWING NO.</b> SI-52003-F	<b>STANDARD DIM. TOL. IN INCH</b>	<input type="checkbox"/> METRIC DIM. AS REFERENCE	<b>bel</b> COMPONENTS A PLANET
<b>DRAWN BY</b> L.W. Yuan	<b>DATE</b> Aug-11-2008		<b>FILE NAME</b> SI-52003-F.DWG	.X .XX .XXX ±0.005	UNIT : INCH [mm] SCALE : N/A REV. : A0 SIZE : A4 PAGE : 3	

REV A1 06-30-2008 This document is electronically generated. This is a controlled copy if used internally