

THE INFORMATION CONTAINED HEREIN IS CONSIDERED 'PROPRIETARY' TO BEL FUSE INC. AND SHALL NOT BE COPIED, REPRODUCED OR DISCLOSED WITHOUT THE WRITTEN APPROVAL OF BEL FUSE INC.

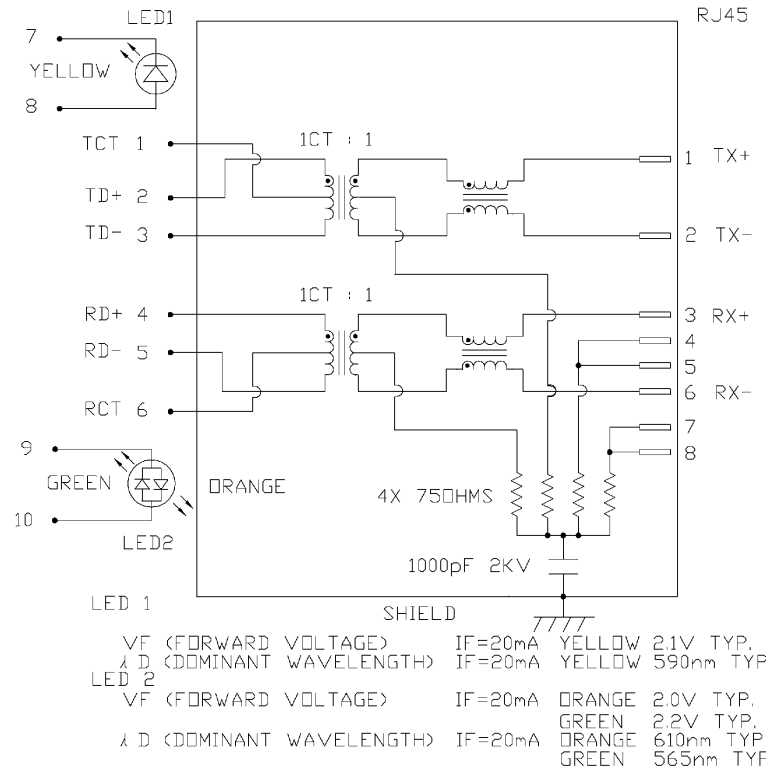
LED1 POLARITY			LED2 POLARITY		
PIN 7	PIN 8	COLOR	PIN 9	PIN 10	COLOR
-	+	YELLOW	+	-	ORANGE
/	/	/	-	+	GREEN

SCHEMATIC



ELECTRICAL CHARACTERISTICS @ 25°C

TRANS RATIO	
TX	1CT : 1
RX	1CT : 1
OCL @ 100kHz/100mVRMS	350µH MIN.
8mA DC BIAS	
INS. LOSS	
1MHz TO 100MHz	-1.0 dB MAX
RET. LOSS (MIN)	
1MHz-30MHz	-18 dB
30MHz-60MHz	-18+20LOG(F/30MHz) dB
60MHz-80MHz	-12 dB
CROSS TALK (TX - RX)	
500kHz-1MHz	-70 dB MIN
10 MHz	-50 dB MIN
30 MHz	-45 dB MIN
50 MHz	-40 dB MIN
100 MHz	-35 dB MIN
CM TO CM REJ	
100kHz-1MHz	-70 dB MIN
10 MHz	-47 dB MIN
30 MHz	-42 dB MIN
60 MHz	-37 dB MIN
100 MHz	-30 dB MIN
CM TO DM REJ	
100kHz-1MHz	-70 dB MIN
10 MHz	-60 dB MIN
30 MHz	-50 dB MIN
60 MHz	-45 dB MIN
100 MHz	-40 dB MIN
HIPDT (Isolation Voltage):	1500 Vrms
100% OF PRODUCTION TESTED TO COMPLY WITH	
IEEE 802.3 ISOLATION REQUIREMENTS.	



ORIGINATED BY	DATE	TITLE	PART NO. / DRAWING NO.	STANDARD DIM.	[ ] METRIC DIM. AS REFERENCE
CHOU WANCHUNG	03-25-08	MagJack® (4 Cores, MDIX, CM Termination)	08B01X1T06-F	TOL. IN INCH	UNIT : INCH [mm]
DRAWN BY	DATE		FILE NAME	.X	SCALE : N/A
DENG PING	03-25-08	08B0-1X1T-06-F	08B01X1T06-F_B.DWG	.XX	SIZE : A4
				.XXX	PAGE : 2



DC002(2)032305

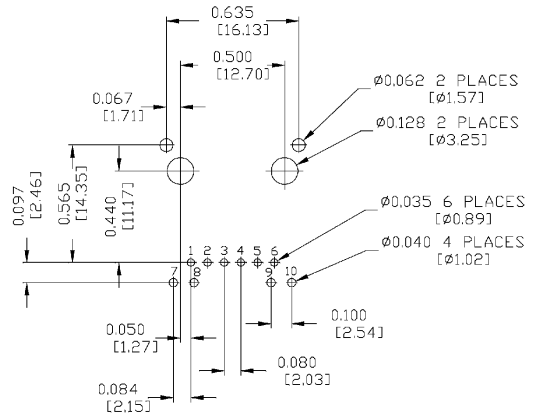
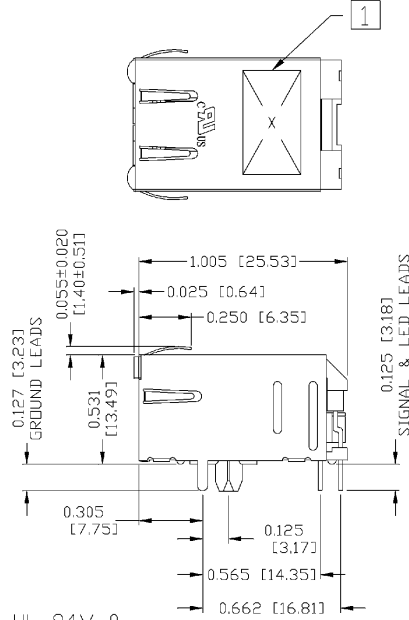
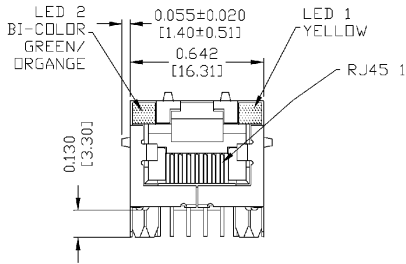
This document is electronically generated. This is a controlled copy if used internally

THE INFORMATION CONTAINED HEREIN IS CONSIDERED "PROPRIETARY" TO BEL FUSE INC. AND SHALL NOT BE COPIED, REPRODUCED OR DISCLOSED WITHOUT THE WRITTEN APPROVAL OF BEL FUSE INC.



MECHANICAL SPECIFICATION

RECOMMENDED PCB FOOTPRINT  
COMPONENT SIDE VIEW



- NOTES:
- PLASTIC HOUSING: THERMOPLASTIC PBT
  - FLAMMABILITY RATING UL 94V-0
  - CONTACTS PLATING: 15 MICRO-INCH HARD GOLD PLATING
  - PINS: TIN-COATED COPPER WIRE, DIA 0.018 INCH.
  - METAL SHIELD: PRE-PLATED NICKEL ON COPPER ALLOY.
  - MARK PART WITH MFG LOGO, MFG NAME, PART NUMBER, AND DATE CODE.

UL US UL RECOGNIZED - FILE #E196366 AND E169987.  
2. RoHS COMPLIANCE, PER EU DIRECTIVE 2002/95/EC.

ORIGINATED BY CHEN BILL	DATE 03-25-08	TITLE MagJack® (4 Cores, MDIX, CM Termination)	PART NO. / DRAWING NO. 08B01X1T06-F	STANDARD DIM. TOL. IN INCH .X .XX .XXX ±0.010	[ ] METRIC DIM. AS REFERENCE UNIT : INCH [mm] SCALE : N/A PAGE : 3	REV. : B SIZE : A4	
DRAWN BY WEI SHADYI	DATE 03-25-08	FILE NAME 08B01X1T06-F_B.DWG					

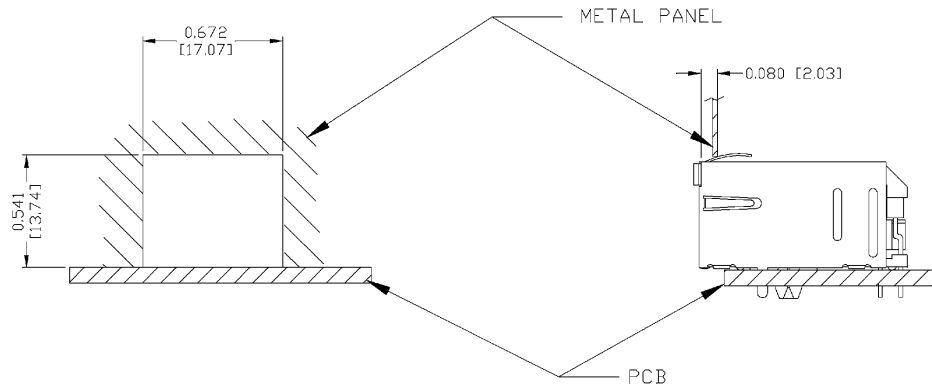
DC002(2)032305

This document is electronically generated. This is a controlled copy if used internally

THE INFORMATION CONTAINED HEREIN IS CONSIDERED "PROPRIETARY" TO BEL FUSE INC. AND SHALL NOT BE COPIED, REPRODUCED OR DISCLOSED WITHOUT THE WRITTEN APPROVAL OF BEL FUSE INC.



SUGGESTED PANEL OPENING



NOTE:

THE DISTANCE OF PANEL INSIDE SURFACE RELATIVE TO FRONT SURFACE OF PART IS ONLY A SUGGESTION. IN CASE THIS DISTANCE IS DIFFERENT, THE REQUIRED PANEL OPENING DIMENSIONS CHANGE ACCORDINGLY.

PACKING INFORMATION

PACKING TRAY : 0200-9999-D4(TOP)

0200-9999-D5(BOTTOM)

PACKING QUANTITY : 60 PCS FINISHED GOODS PER TRAY

11 TRAYS (660 PCS FINISHED GOODS) PER CARTON BOX

NOTE : CARDBOARDS ARE PLACED BETWEEN LAYERS OF PACKING TRAY INSIDE CARTON BOX (INCLUDE THE UPPERMOST AND LOWERMOST TRAY)

ORIGINATED BY CHEN BILL	DATE 03-25-08	TITLE MagJack® (4 Cores, MDIX, CM Termination)	PART NO. / DRAWING NO. 08B01X1T06-F	STANDARD DIM. TOL. IN INCH .X .XX .XXX ±0.010	[ ] METRIC DIM. AS REFERENCE UNIT : INCH [mm] SCALE : N/A	REV. : B SIZE : A4 PAGE : 4	COMPONENTS FOR A CONNECTED PLANET
DRAWN BY WEI SHAOYI	DATE 03-25-08	FILE NAME 08B01X1T06-F_B.DWG					

DC002(2)032305

This document is electronically generated. This is a controlled copy if used internally