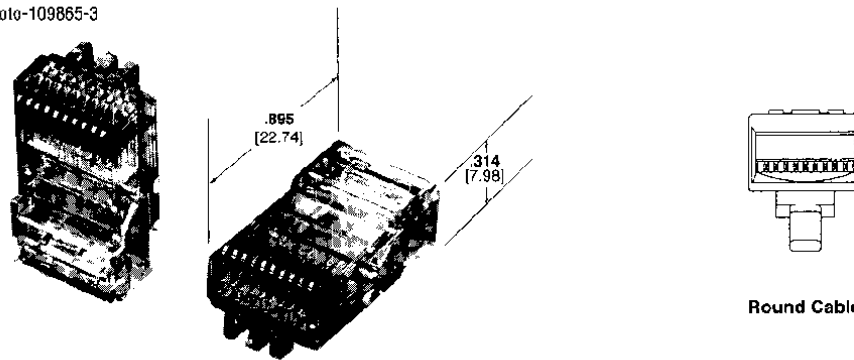


Unshielded Modular Plugs (Continued)

Photo-109865-3

10-Position

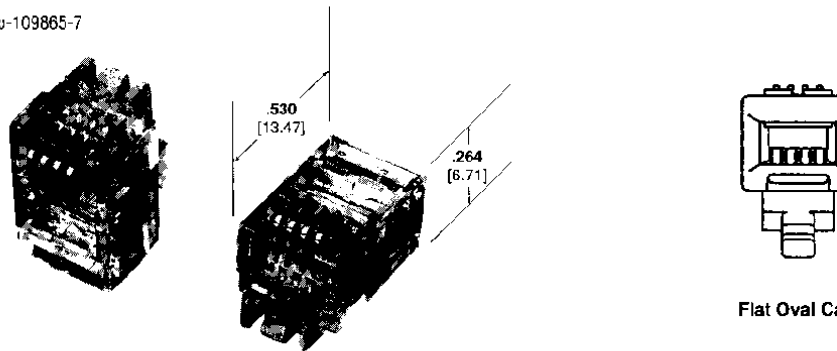


Round Cable

Description	Plug Part Numbers	
	500/Box	100/Box
10/10-Position Round Stranded Line	5-557963-2	5-557963-3
10/10-Position Small Round Stranded	5-406938-2	N/A

4-Position Handset

Photo-109865-7

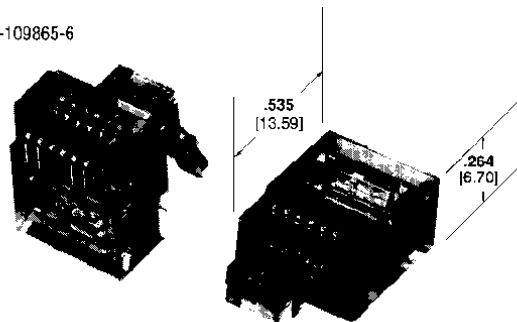


Flat Oval Cable

Description	Plug Part Numbers					
	Strip	10,000/Box	1,000/Box	500/Box	100/Box	25/Bag
4-Position Flat Oval Solid	N/A	N/A	5-556200-2	N/A	N/A	N/A
4-Position Flat Oval Stranded	641334-1	5-641334-1	5-641334-2	N/A	5-641334-3	5-641334-7

6-Position with Offset Latch

Photo-109865-6



Description	Plug Part Numbers					
	Strip	10,000/Box	1,000/Box	500/Box	100/Box	25/Bag
6-Position Round Stranded Offset	555238-1	N/A	N/A	N/A	5-555238-2	5-555238-3
6 Position Flat Oval Solid Offset	555236-1	N/A	5-555236-1	N/A	5-555236-2	5-555236-3
6-Position Flat Oval Stranded Offset	555237-1	N/A	5-555237-1	N/A	5-555237-2	5-555237-3
6-Position Wide Flat Oval Stranded Offset	557345-1	N/A	5-557345-1	N/A	5-557345-2	5-557345-3

Note: Offset latch product conforms to FCC requirements except for latch location.