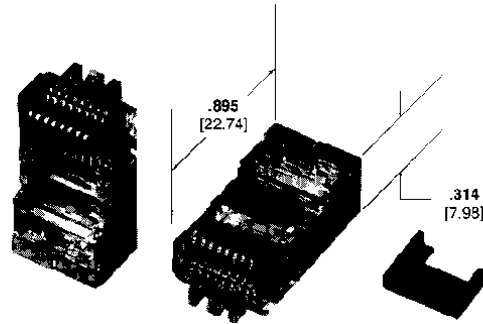


## High Performance Modular Plugs

### Product Facts

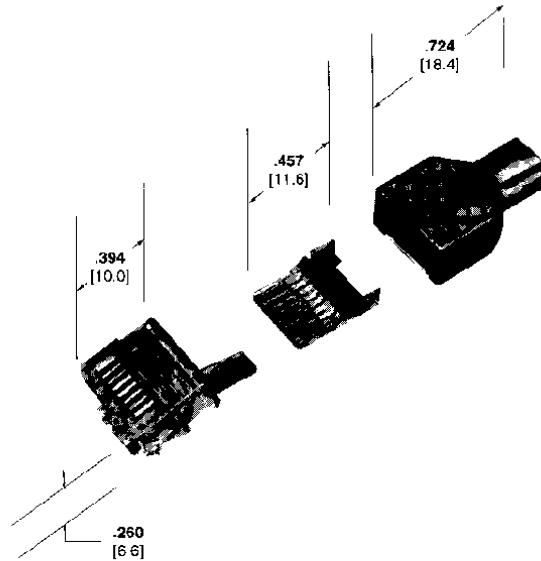
- Exceeds EIA/TIA 568A and TSB-40A Requirements for Category 5, 4-Pair (RJ45) UTP Applications
- Utilizes a load bar for easier cable preparation and termination
- Load bar aids in maintaining 1/2" twist requirements
- Field or factory terminated
- For stranded or solid cable
- Quicker and easier terminations

Photo-109865-9



Description	Plug Part Numbers		
	500/Box	100/Box	25/Bag
8-Position, Unshielded, Stranded	5-558530-2	5-558530-3	5-558530-4
8-Position, Unshielded, Solid	5-569278-2	5-569278-3	5-569278-4
8-Position, Shielded, Stranded	5-569552-2	5-569552-3	5-569552-4
8-Position, Shielded, Solid	5-569550-2	5-569550-3	5-569550-4

Photo-109998-5



Description	Plug Part Numbers	
	1000/Box	100/Box
8-Position, Shielded, Round Cable, Stranded	336330-2	336330-1

For drawings or technical data, contact your AMP sales engineer or call the AMP Product Information Center: 1-800-522-6752. Dimensions are in inches and millimeters unless otherwise specified. Values in brackets are metric equivalents. Specifications subject to change. Consult AMP for latest specifications: [www.amp.com](http://www.amp.com)