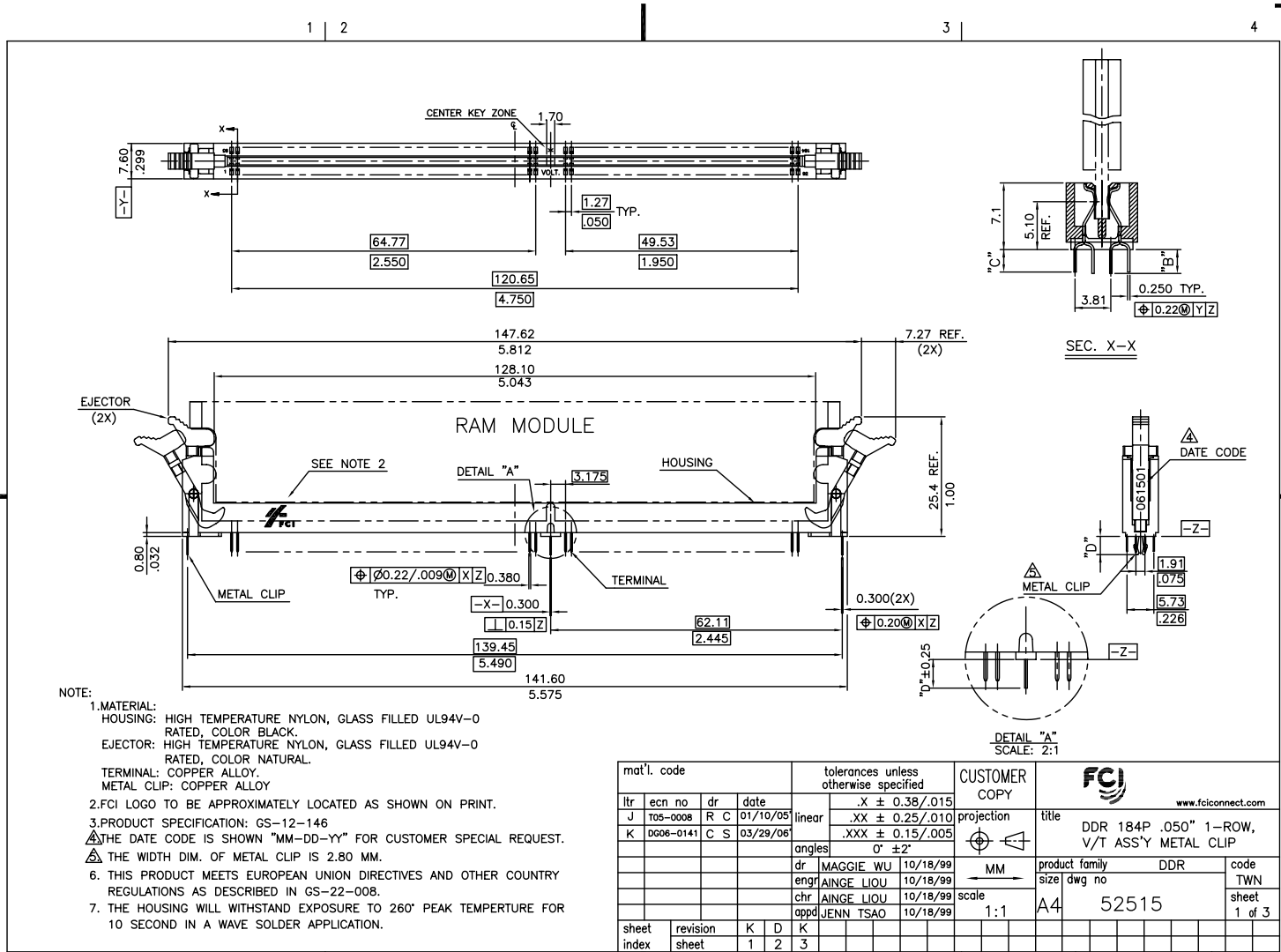


Tous droits strictement réservés. Reproduction ou communication e des plans interdite sous quelque forme que ce soit sans autorisation écrite du propriétaire. Propriété de c FCI. Droits de reproduction FCI.



All rights strictly reserved. Reproduction or issue to third parties in any form whatever is not permitted without written authority from the proprietor. Property of FCI. Copyright FCI.



- NOTE:
- MATERIAL:
HOUSING: HIGH TEMPERATURE NYLON, GLASS FILLED UL94V-0 RATED, COLOR BLACK.
EJECTOR: HIGH TEMPERATURE NYLON, GLASS FILLED UL94V-0 RATED, COLOR NATURAL.
TERMINAL: COPPER ALLOY.
METAL CLIP: COPPER ALLOY
 - FCI LOGO TO BE APPROXIMATELY LOCATED AS SHOWN ON PRINT.
 - PRODUCT SPECIFICATION: GS-12-146
 - THE DATE CODE IS SHOWN "MM-DD-YY" FOR CUSTOMER SPECIAL REQUEST.
 - THE WIDTH DIM. OF METAL CLIP IS 2.80 MM.
 - THIS PRODUCT MEETS EUROPEAN UNION DIRECTIVES AND OTHER COUNTRY REGULATIONS AS DESCRIBED IN GS-22-008.
 - THE HOUSING WILL WITHSTAND EXPOSURE TO 260° PEAK TEMPERATURE FOR 10 SECOND IN A WAVE SOLDER APPLICATION.

mat'l. code				tolerances unless otherwise specified		CUSTOMER COPY		FCI	
lir	ecn no	dr	date	linear	.X ± 0.38/.015	projection	title	www.fciconnect.com	
J	105-0008	R C	01/10/05		.XX ± 0.25/.010		DDR 184P .050" 1-ROW, V/T ASS'Y METAL CLIP	product family	DDR
K	0606-0141	C S	03/29/06	angles	.XXX ± 0.15/.005			size	dwg no
				dr	0° ±2°	MM		TWN	
				eng		scale	1:1	sheet	1 of 3
				chr	MAGGIE WU 10/18/99		A4	52515	
				appd	AINGE LIUO 10/18/99				
					JENN TSAO 10/18/99				
sheet index	revision sheet	K	D	K				cage code	22526
		1	2	3					Printed: Jul 28, 2010

ACAD PDM: Rev:K STATUS Released 22526 Printed: Jul 28, 2010

