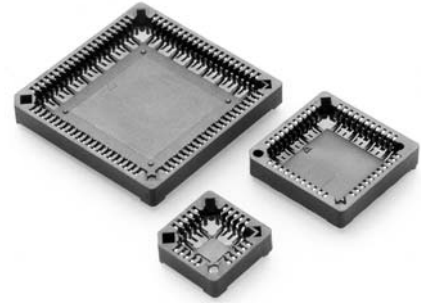
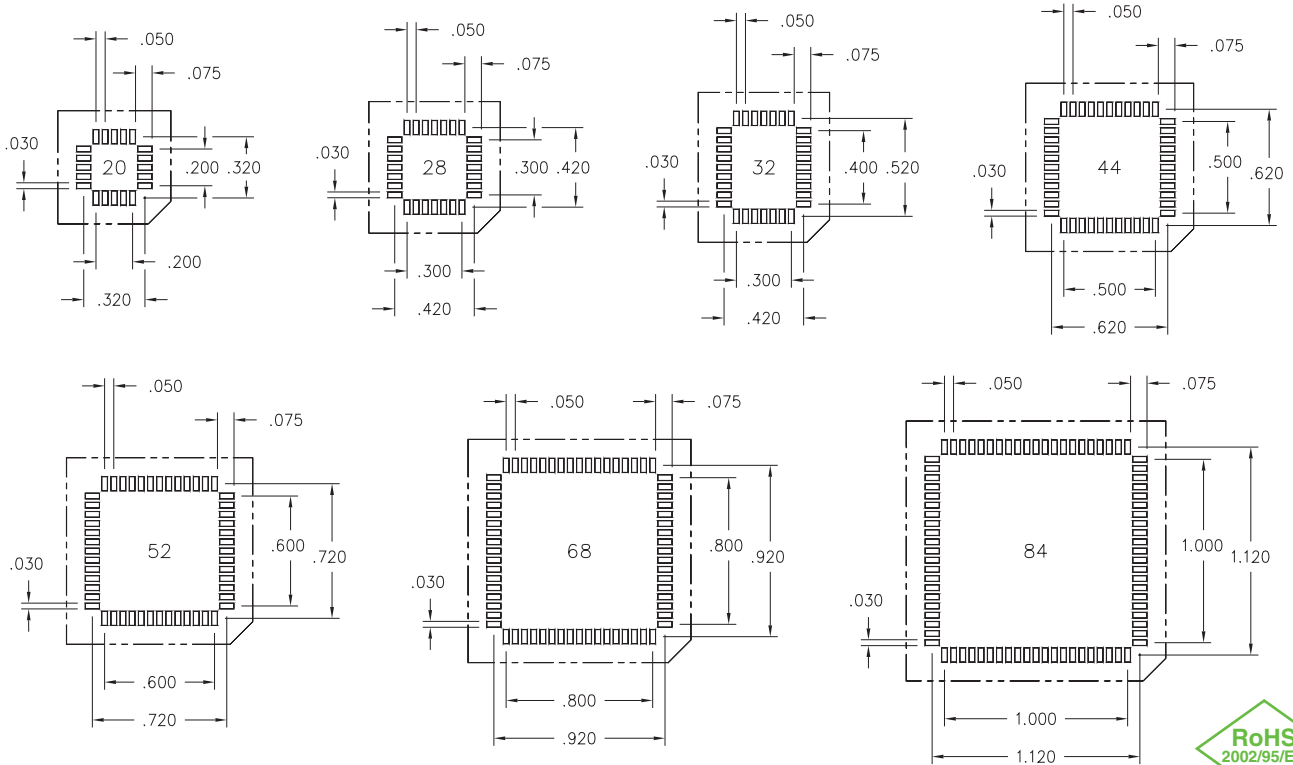


- Note: End stackable.
- Designed for JEDEC type devices.
- Open frame design in solder area improves results of IR soldering and facilitates visual inspection of solder pads.
- The insulator is molded PPS (Ryton R-4).
- PLCC chip extraction tool available, see page 96.



SURFACE MOUNT

PCB LAYOUT FOR SURFACE MOUNT



# of Pins	ORDERING INFORMATION	Qty. per Tube	Tape Width mm	Qty. per Reel	A1	A2	C1	C2	E	H
20	540-44-020-17-40000X	34	24	490	.200	.200	.585	.585	.657	.180
28	540-44-028-17-40000X	29	32	400	.300	.300	.685	.685	.799	.180
32*	540-44-032-17-40000X*	26	32	400	.300	.400	.670	.770	.885	.148
44	540-44-044-17-40000X	22	44	250	.500	.500	.885	.885	1.082	.180
52	540-44-052-17-40000X	20	44	250	.600	.600	1.000	1.000	1.224	.180
68	540-44-068-17-40000X	16	44	220	.800	.800	1.202	1.202	1.507	.180
84	540-44-084-17-40000X	14	56	200	1.000	1.000	1.400	1.400	1.791	.180

Plating Code
44 = 150µ" Sn ◊

Packaging Code
X = 0 Tubes
X = 4 Tape & Reel

*Rectangular