



ICA-320-SGT



ICA-624-ZEGG

(2,54mm) .100"

ICA SERIES

AUTOMATED INSERTION DIP SOCKETS

Mates with:
APA

ICA

ROW SPACING &
NO. OF CONTACTS

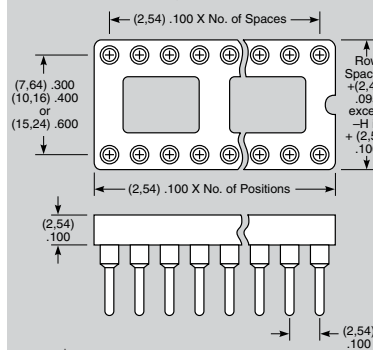
STYLE
OPTION

PLATING
OPTION

OPTION
(Leave Blank for
Standard Version)

Specify from chart below

- Side & end stackable
- Great for auto insertion
- Open body design



	Row Space	No. of Contacts
-308	.300 (7,62)	08
-314		14
-316		16
-318		18
-320		20
-322*		22
-324	.400 (10,16)	24
-328		28
-422	.600 (15,24)	22
-624		24
-628	.600 (15,24)	28
-632		32
-640		40
-648		48

*-322 has no cross bar on one end.

GG
= 30μ" (0,76μm)
Gold contact,
10μ" (0,25μm)
Gold Shell

GT
= 30μ" (0,76μm)
Gold contact,
Tin Shell

ST
= 10μ" (0,25μm)
Gold contact,
Tin shell (Styles -S
& -ZS only)

-2
= .360 (9,14)
Tail
**Wire-Wrap
Option**
Requires Style
-W or -ZW
Specify desired
suffix for shorter
Wire-Wrap tail.

-3
= .260 (6,60)
Tail
-L
= Locking
Socket
Requires Style
-S or -ZS
Requires GT
Plating Option

SPECIFICATIONS

For complete specifications
see www.samtec.com?ICA

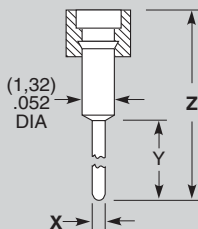
- Insulator Material:** Black Glass Filled Polyester except -328 is LCP
- Contact:** BeCu
- Shell:** Brass
- Plating:** Au or Sn over 50μ" Ni
- Flammability Rating:** UL 94V-O
- Insulation Resistance:** 5000 MΩ min
- Temperature Range:** -55°C to +105°C with Tin; -55°C to +125°C with Gold.
- Withstanding Voltage:** 1000 VRMS
- Current Rating:** 1A
- Contact Resistance:** 10mΩ max
- Lead Size Range:** .015" (0,38mm) to .022" (0,56mm) DIA and most IC leads
- Insertion Force:** (Single contact only) Standard = 9 oz avg, 16 oz max; Low Insertion Force = 2.5 oz avg, 5.5 oz max
- Withdrawal Force:** (Single contact only) Standard = 2.5 oz avg, 1.5 oz min; Low Insertion Force = 2.0 oz avg, 0.35 oz min
- Lead-Free Solderable:** Wave only
- RoHS Compliant:** Yes



Note: Some sizes, styles and options are non-standard, non-returnable.

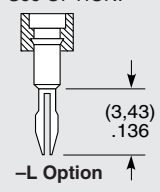
-S, -ZS, -ZA

= Printed Circuit
-ZS & -ZA = Low Insertion Force



LEAD STYLE	X DIA	Y TAIL	Z
-S or -ZS	(0,51) .020	(3,18) .125	(7,62) .300
-ZA	(0,51) .020	(4,57) .180	(8,89) .350

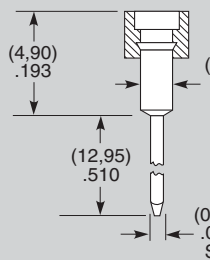
Locking lead available with -S and -ZS. See OPTION.



Insertion Depth = .095" (2,41) to .145" (3,68):
Style S Component Part No. = SC-1P1
Style ZS Component Part No. = EZ-1P1
Style ZA Component Part No. = EZ-6P1
Option L Component Part No. = SC-1L1 or EZ-1L1

-W, -ZW

= Wire-Wrap
ZW = Low Insertion Force

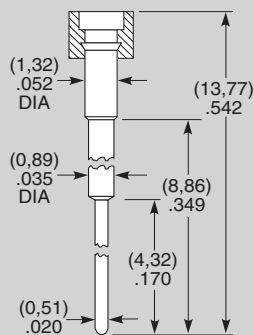


Shorter wire-wrap tail lengths available. See OPTION.

Insertion Depth = .125" (3,18) to .157" (3,99)
Style W Component Part No. = SC-1W1(1)
Style ZW Component Part No. = EZ-1W1(1)
Style W-2 Component Part No. = SC-1W1(2)
Style ZW-2 Component Part No. = EZ-1W1(2)
Style W-3 Component Part No. = SC-1W1(3)
Style ZW-3 Component Part No. = EZ-1W1(3)

-ZE

= Elevated
Low Insertion Force



Insertion Depth = .125" (3,18) to .170" (4,32)
Style ZE Component Part No. = EZ-2P3

Due to technical progress, all designs, specifications and components are subject to change without notice.

WWW.SAMTEC.COM

SAMTEC USA • Tel: 1-800-SAMTEC-9 or 812-944-6733 SAMTEC SILICON VALLEY • Tel: 408-395-5900 SAMTEC SOUTHERN CALIFORNIA • Tel: 1-800-726-8329
SAMTEC AMERICA LATINA COMERCIO EXTERIOR LTDA • Tel: (+55 31) 3786 3227 SAMTEC UNITED KINGDOM • Tel: 44 01236 739292 SAMTEC GERMANY • Tel: +49 (0) 89 / 89460-0
SAMTEC FRANCE • Tel: 33 01 60 95 06 60 SAMTEC ITALY • Tel: 39 039 8890337 SAMTEC NORDIC/BALTIC • Tel: +46-84477280 SAMTEC BENELUX • Tel: 44 01236 739292 SAMTEC ISRAEL • Tel: 972-3-7526600
SAMTEC INDIA • Tel: +91-80-3272 1612 SAMTEC ASIA PACIFIC • Tel: 65 6745-5955 SAMTEC JAPAN • Tel: 045-475-1385 SAMTEC CHINA • Tel: 86-21-61103766 SAMTEC TAIWAN • Tel: 886-2-2735-6109
Downloaded from Elcodis.com SAMTEC HONG KONG • Tel: 852-2600-9858 SAMTEC KOREA • Tel: 82-31-717-5685 SAMTEC ANZ • Tel: 613 9512 7747 SAMTEC SOUTH AFRICA • Tel: 27 11 452 8112