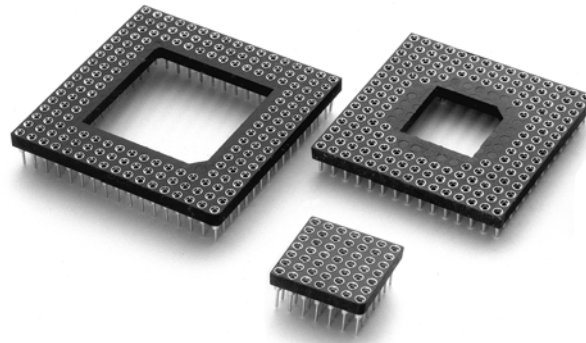
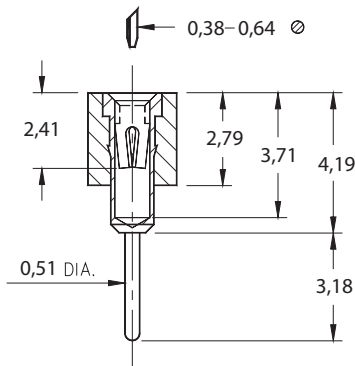


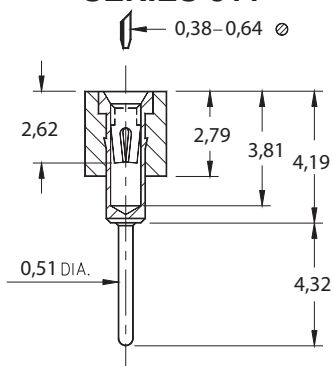
- Series 510, 511, & 515 PGA sockets are available in three solder tail lengths: standard, long and low profile.
- Choice of three low force clips to cover all applications.
- Hi-Temp PCT polyester insulator material suitable for all forms of soldering.



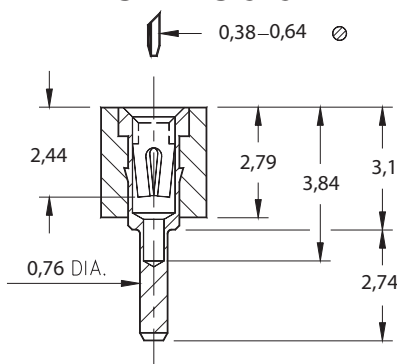
**STANDARD SOLDER TAIL**  
**SERIES 510**



**LONG SOLDER TAIL**  
**SERIES 511**

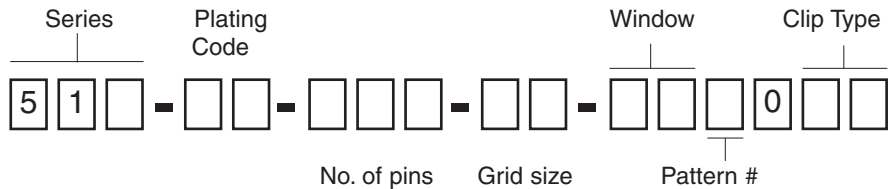


**LOW PROFILE SOLDER TAIL**  
**SERIES 515**



**Ordering Information**

1. Select pin type for PGA socket at left (standard, long, or low profile) to determine series number.
2. Specify 2-digit plating code from chart at bottom of page
3. Locate footprint pattern from pages 107 to 111, the middle 8 digits of the part number will be located under the pattern.
4. Determine the last 2 digits of part number from the Contact Chart below.

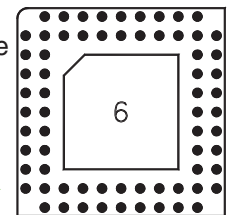


Determined from footprint pattern pages 107 to 111

**EXAMPLE OF COMPLETE PART NUMBER:**

510-43-068-11-061001

This is a 68 pin (11x11 grid) insulator with a 15,2 square window and fitted with standard solder tail socket pins. Pins are tin plated, inner contacts are Mill-Max #32 and are plated 0,76µm gold.



Clip Type

Contact (Clip) Chart

|    |  |
|----|--|
| 01 | Mill-Max #32 clip, standard low force, recommended for devices with less than 150 pins. See page 208 for details.                      |
| 02 | Mill-Max #35 clip, ultra low force, recommended for devices with more than 150 pins, but less than 250 pins. See page 209 for details. |
| 03 | Mill-Max #43 clip, "ultra lite", recommended for devices with more than 250 pins. See page 209 for details.                            |

|                          |           |              |           |
|--------------------------|-----------|--------------|-----------|
| SPECIFY PLATING CODE XX= | 13◇       | 93           | 43◇       |
| Sleeve (Pin)             | 0,25µm Au | 5,08µm Sn/Pb | 5,08µm Sn |
| Contact (Clip)           | 0,76µm Au | 0,76µm Au    | 0,76µm Au |