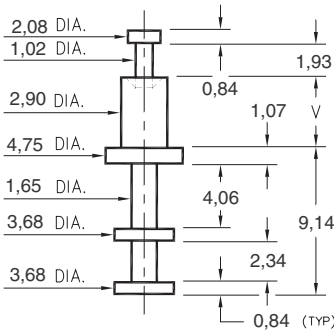


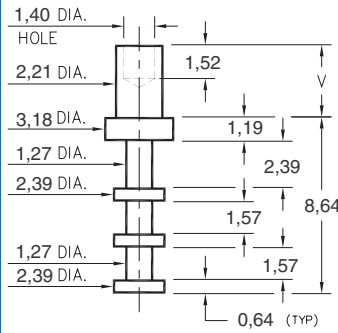
## 2810



- X -	Board Thickness	Length V
2	1,57	2,67
3	2,39	3,43
4	3,18	4,19

**2810-X-00-XX-00-00-07-0**  
Swage mount in 3,00 hole

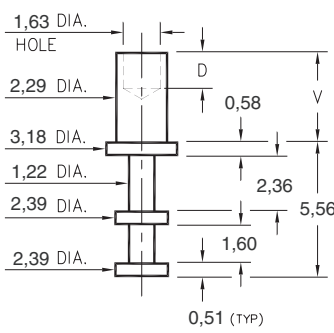
## 2524



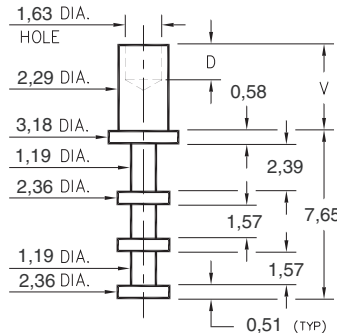
- X -	Board Thickness	Length V
1	0,79	1,91
2	1,57	2,67
3	2,39	3,43
4	3,18	4,19

**2524-X-00-XX-00-00-07-0**  
Swage mount in 2,34 hole

## 2561/2508



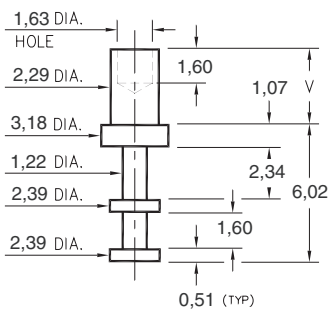
**2561-X-00-XX-00-00-07-0**  
Swage mount in 2,39 hole



**2508-X-00-XX-00-00-07-0**  
Swage mount in 2,39 hole

- X -	Board Thickness	Length V	Depth D
1	0,79	1,60	1,19
2	1,57	2,39	1,57
3	2,39	3,18	
4	3,18	3,96	

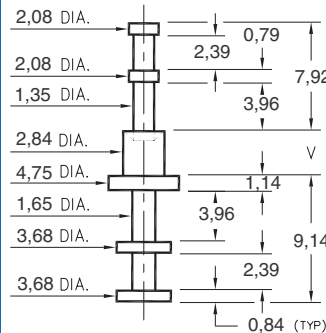
## 2551



**2551-X-00-XX-00-00-07-0**  
Swage mount in 2,39 hole

- X -	Board Thickness	Length V
1	0,79	1,91
2	1,57	2,67
3	2,39	3,43
4	3,18	4,19

## 2812



**2812-X-00-XX-00-00-07-0**  
Swage mount in 2,95 hole

- X -	Board Thickness	Length V
1	1,57	2,67
2	2,39	3,43
3	3,18	4,19
4	4,78	5,84

### SPECIFICATIONS

**PIN MATERIAL:**  
Brass Alloy 360, 1/2 Hard  
( Except Swage pins which are annealed )

**PART MANUFACTURED IN INCHES, METRIC FOR REF ONLY**

**TOLERANCES ON:**  
LENGTHS: ± 0,13  
DIAMETERS: ± 0,05  
ANGLES: ± 2°

**ORDER CODE: 2XXX - X - 00 - XX - 00 - 00 - 07 - 0**

**BASIC PART #**

**SPECIFY PIN FINISH:**

- 01** 5,08 μm TIN/LEAD OVER NICKEL
- 80** 5,08 μm TIN OVER NICKEL ◇
- 44** 7,62 μm SILVER OVER COPPER ◇
- 50** 7,62 μm ELECTRO-SOLDER (60/40 SnPb)

