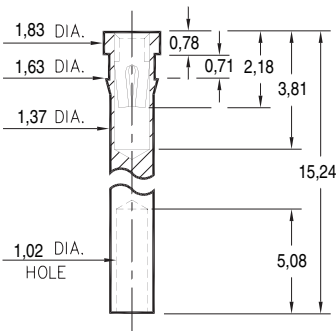
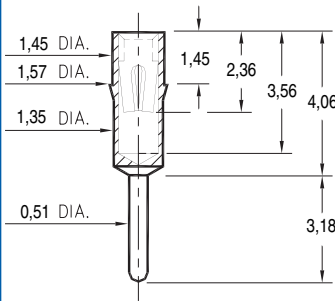


### 1707



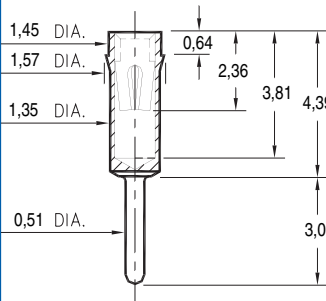
**1707-0-19-XX-30-XX-10-0**  
Press-fit in 1,55 mounting hole

### 0240



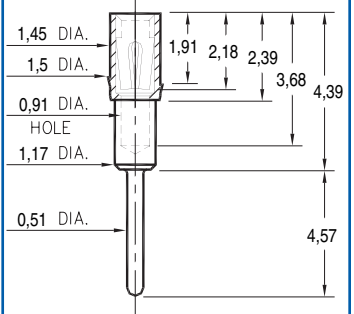
**0240-0-15-XX-30-XX-04-0**  
Press-fit in 1,49 mounting hole

### 0307



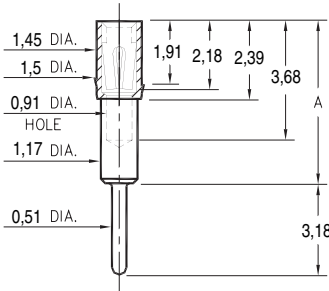
**0307-0-15-XX-30-XX-04-0**  
Press-fit in 1,5 mounting hole

### 1753



**1753-0-15-XX-30-XX-04-0**  
Press-fit in 1,45 mounting hole

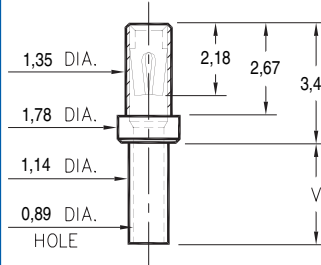
### 1705/1706/1762



**17XX-0-15-XX-35-XX-04-0**  
Press-fit in 1,45 mounting hole

Basic Part Number	Height A
1705-0	4,19
1706-0	5,54
1762-0	7,62

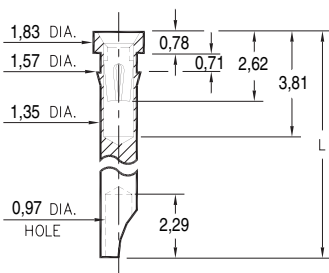
### 0672



**0672-X-15-XX-30-XX-10-0**  
Swage mount in 1,24 hole

Basic Part Number	Board Thickness	Length V
0672-1	0,79	1,32
0672-2	1,57	2,13
0672-3	2,39	2,92
0672-4	3,18	3,71

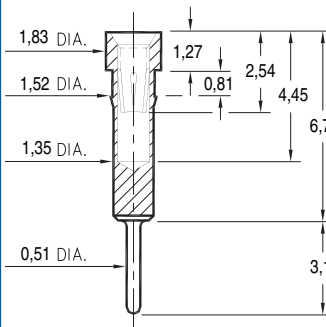
### 1024/1104



**1XX4-0-18-XX-30-XX-10-0**  
Press-fit in 1,5 mounting hole

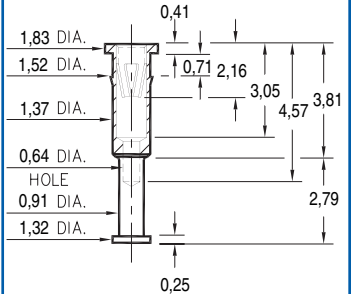
Basic Part Number	Length L
1024-0	7,37
1104-0	11,43

### 0498



**0498-0-15-XX-35-XX-04-0**  
Press-fit in 1,45 mounting hole

### 8131



**8131-0-15-XX-30-XX-10-0**  
Press-fit in 1,45 mounting hole

#### SPECIFICATIONS

**SHELL MATERIAL:**  
Brass Alloy 360, 1/2 Hard

**CONTACT MATERIAL:**  
Beryllium Copper Alloy 172, HT

**PART MANUFACTURED IN INCHES, METRIC FOR REF ONLY**

**TOLERANCES ON:**  
LENGTHS: ± 0,13  
DIAMETERS: ± 0,05  
ANGLES: ± 2°

**ORDER CODE: XXXX - X - 1X - XX - XX - XX - XX - 0**

**BASIC PART #** →

**SPECIFY SHELL FINISH:**

- 01 5,08µm TIN/LEAD OVER NICKEL
- 80 5,08µm TIN OVER NICKEL ◊
- 15 0,25µm GOLD OVER NICKEL ◊

**SPECIFY CONTACT FINISH:**

- 02 2,54µm TIN/LEAD OVER NICKEL
- 84 2,54µm TIN OVER NICKEL ◊
- 27 0,76µm GOLD OVER NICKEL ◊



**SELECT CONTACT**

#30 or #35 CONTACT (DATA ON PAGE 208 & 209)