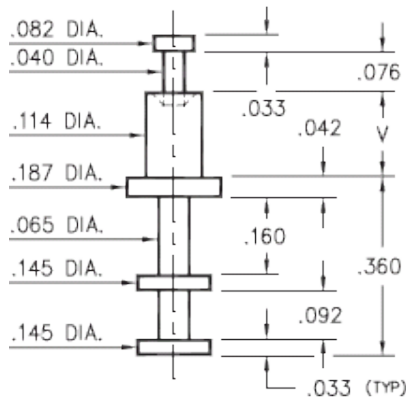


Product Number: 2810-2-00-80-00-00-07-0



- X -	Board Thickness	Length V
2	.062	.105
3	.094	.135
4	.125	.165

Description:


2810 - Turret Terminal Pin

Packaging:

Packaged in Bulk

2810-X-00-XX-00-00-07-0

Swage mount in .118 hole

Mill-Max Part Number	Shell Plating	Contact Plating	RoHS Compliant
2810-2-00-80-00-00-07-0	200 - 300 µ" Tin (matte finish) over Nickel	00	

SHELL MATERIAL:

BRASS ALLOY (UNS C36000) per ASTM B 16

Properties of BRASS ALLOY:

- Chemical composition: Cu 61.5%, Zn 35.4%, Pb 3.1%†
- Hardness as machined: 80-90 Rockwell B
- Density: .307 lbs/in³
- Electrical conductivity: 26% IACS*
- Melting point: 900°C/885°C (liquidus/solidus)

†(3 to 4% lead is used to permit "free machining" and is permitted by EC Directive 2002/95Annex 6; so all pin materials are RoHS compliant)

*International Annealed Copper Standard, i.e. as a % of pure copper.