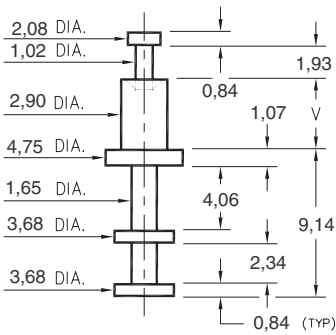


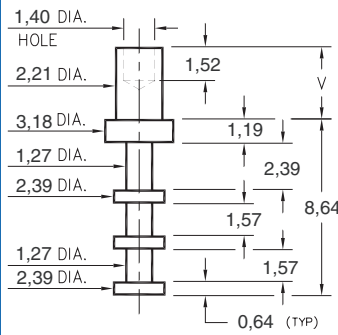
## 2810



| - X - | Board Thickness | Length V |
|-------|-----------------|----------|
| 2     | 1,57            | 2,67     |
| 3     | 2,39            | 3,43     |
| 4     | 3,18            | 4,19     |

**2810-X-00-XX-00-00-07-0**  
Swage mount in 3,00 hole

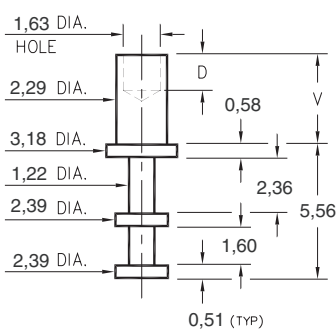
## 2524



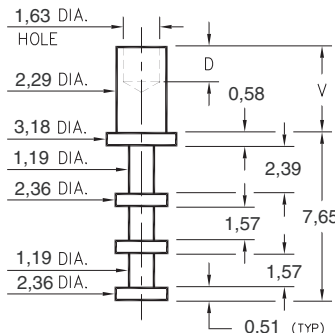
| - X - | Board Thickness | Length V |
|-------|-----------------|----------|
| 1     | 0,79            | 1,91     |
| 2     | 1,57            | 2,67     |
| 3     | 2,39            | 3,43     |
| 4     | 3,18            | 4,19     |

**2524-X-00-XX-00-00-07-0**  
Swage mount in 2,34 hole

## 2561/2508



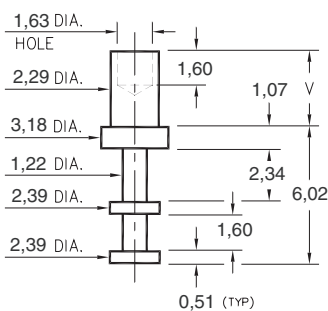
**2561-X-00-XX-00-00-07-0**  
Swage mount in 2,39 hole



**2508-X-00-XX-00-00-07-0**  
Swage mount in 2,39 hole

| - X - | Board Thickness | Length V | Depth D |
|-------|-----------------|----------|---------|
| 1     | 0,79            | 1,60     | 1,19    |
| 2     | 1,57            | 2,39     | 1,57    |
| 3     | 2,39            | 3,18     |         |
| 4     | 3,18            | 3,96     |         |

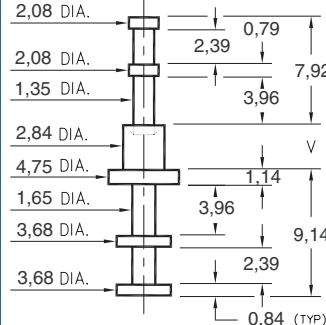
## 2551



**2551-X-00-XX-00-00-07-0**  
Swage mount in 2,39 hole

| - X - | Board Thickness | Length V |
|-------|-----------------|----------|
| 1     | 0,79            | 1,91     |
| 2     | 1,57            | 2,67     |
| 3     | 2,39            | 3,43     |
| 4     | 3,18            | 4,19     |

## 2812



**2812-X-00-XX-00-00-07-0**  
Swage mount in 2,95 hole

| - X - | Board Thickness | Length V |
|-------|-----------------|----------|
| 1     | 1,57            | 2,67     |
| 2     | 2,39            | 3,43     |
| 3     | 3,18            | 4,19     |
| 4     | 4,78            | 5,84     |

### SPECIFICATIONS

**PIN MATERIAL:**  
Brass Alloy 360, 1/2 Hard  
( Except Swage pins which are annealed )

**PART MANUFACTURED IN INCHES, METRIC FOR REF ONLY**

**TOLERANCES ON:**  
LENGTHS: ± 0,13  
DIAMETERS: ± 0,05  
ANGLES: ± 2°

**ORDER CODE: 2XXX - X - 00 - XX - 00 - 00 - 07 - 0**

**BASIC PART #**

**SPECIFY PIN FINISH:**

- 01** 5,08 μm TIN/LEAD OVER NICKEL
- 80** 5,08 μm TIN OVER NICKEL ◊
- 44** 7,62 μm SILVER OVER COPPER ◊
- 50** 7,62 μm ELECTRO-SOLDER (60/40 SnPb)

