

SIMM Sockets — with Metal Latches, .050 [1.27] CL (Continued)

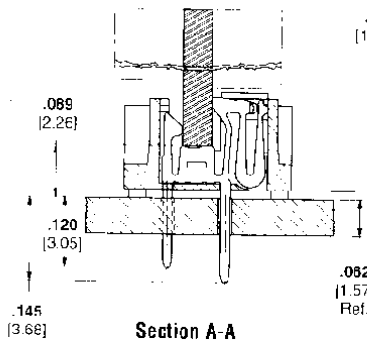
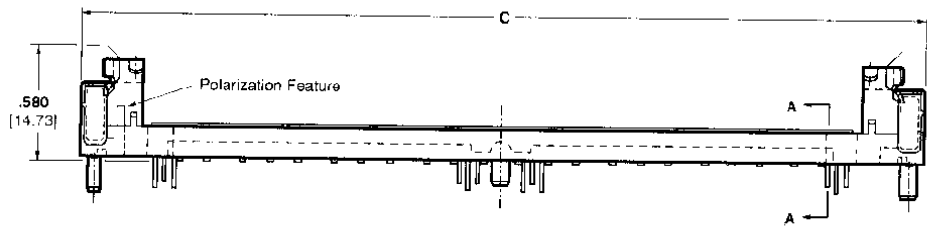
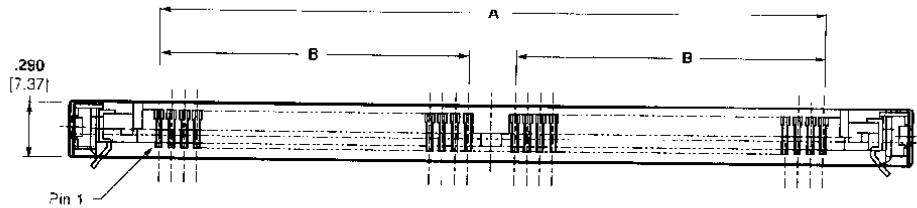
Vertical Single Row (Left Polarization)

Material and Finish

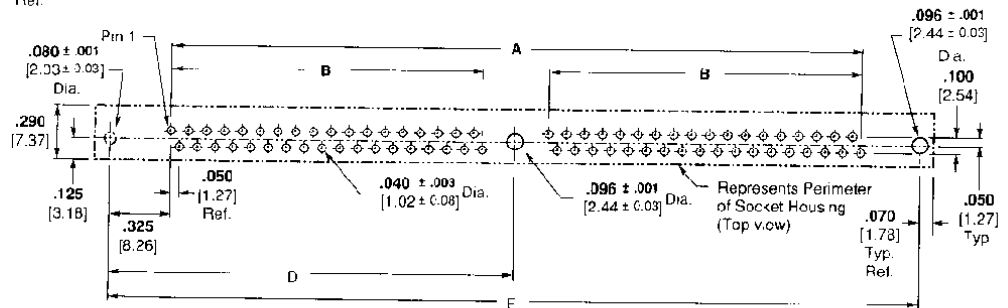
Housing — Liquid Crystal Polymer (LCP) UL 94V-0

Contacts — Phosphor bronze with .000200 [0.00508] min. thick tin-lead over .000050 [0.00127] min. thick nickel or .000030 [0.00076] min. thick gold on contact area and .000150 [0.0038] min. thick tin-lead on solder tails, all over .000050 [0.00127] min. thick nickel

Latch — Brass, nickel plated



Section A-A



Recommended PC Board Hole Pattern

No. of Pos.	Dimensions					Tin Plate	Gold Plate
	A	B	C	D	E		
72	3.750	1.750	4.540	2.200	4.400	822030-3	821997-3
	95.25	44.45	115.32	55.88	111.76		
80	4.150	1.950	4.940	2.400	4.800	822030-4	821997-4
	105.41	49.53	125.48	60.96	121.92		

Note: See page 35 for module layout.