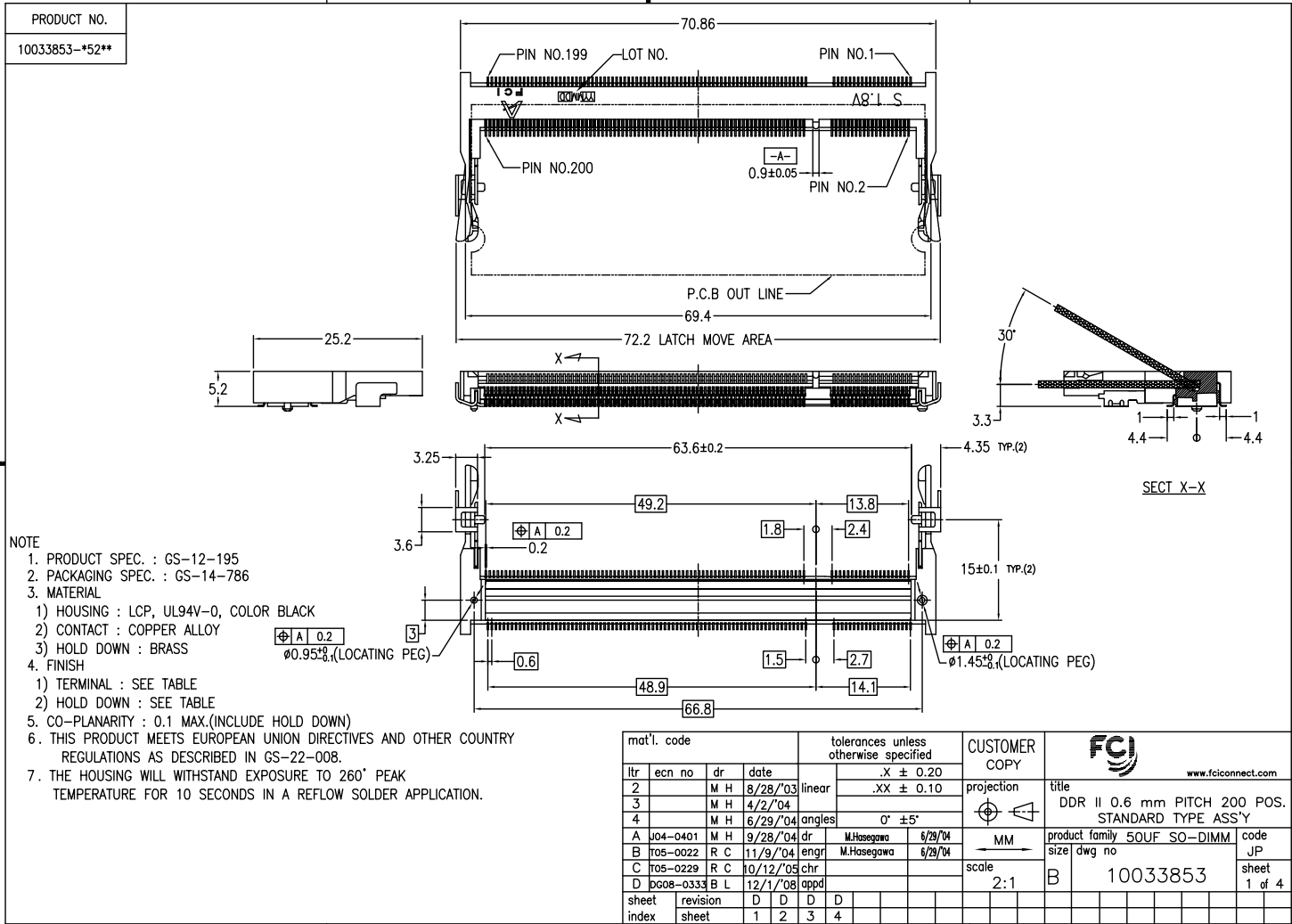


Tous droits strictement réservés. Reproduction ou communication à des tiers interdite sans autorisation écrite préalable. Propriété de FCJ. Droits de reproduction FCJ.

All rights strictly reserved. Reproduction or issue to third parties in any form whatsoever is not permitted without written authority from the proprietor FCJ. Property of FCJ. Copyright FCJ.



- NOTE
1. PRODUCT SPEC. : GS-12-195
 2. PACKAGING SPEC. : GS-14-786
 3. MATERIAL
 - 1) HOUSING : LCP, UL94V-0, COLOR BLACK
 - 2) CONTACT : COPPER ALLOY
 - 3) HOLD DOWN : BRASS
 4. FINISH
 - 1) TERMINAL : SEE TABLE
 - 2) HOLD DOWN : SEE TABLE
 5. CO-PLANARITY : 0.1 MAX.(INCLUDE HOLD DOWN)
 6. THIS PRODUCT MEETS EUROPEAN UNION DIRECTIVES AND OTHER COUNTRY REGULATIONS AS DESCRIBED IN GS-22-008.
 7. THE HOUSING WILL WITHSTAND EXPOSURE TO 260° PEAK TEMPERATURE FOR 10 SECONDS IN A REFLOW SOLDER APPLICATION.

mat'l. code		tolerances unless otherwise specified		CUSTOMER COPY	FCJ www.fcjconnect.com
ltr	ecn no	dr	date		
2		M H	8/28/03	.X ± 0.20	DDR II 0.6 mm PITCH 200 POS. STANDARD TYPE ASS'Y
3		M H	4/2/04	.XX ± 0.10	product family 50UF SO-DIMM
4		M H	6/29/04	angles	code JP
A	J04-0401	M H	9/28/04	dr	size dwg no
B	tr05-0022	R C	11/9/04	engr	10033853
C	tr05-0229	R C	10/12/05	chr	sheet 1 of 4
D	pc08-0333	B L	12/1/08	appd	
sheet index	revision sheet	D	D	D	D
		1	2	3	4

ACAD

PDM: Rev:D

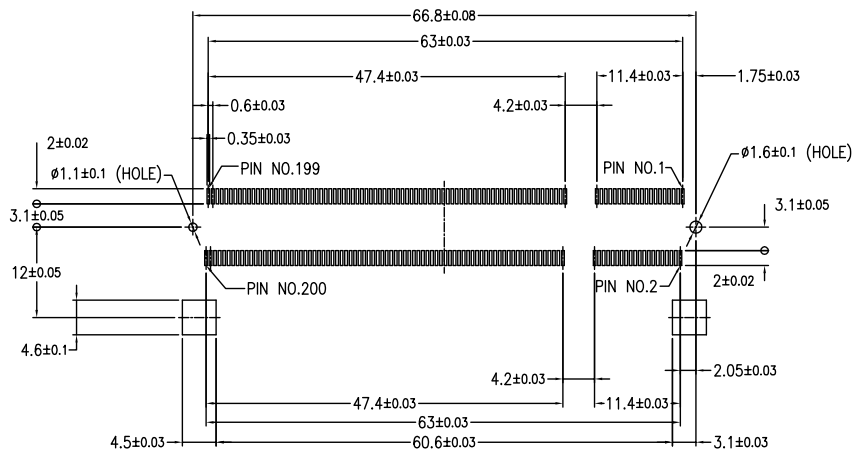
STATUS Released

Printed: Jul 28, 2010

Tous droits strictement réservés. Reproduction ou communication à des tiers interdite sans l'autorisation écrite de la propriété de FCI. Droits de reproduction FCI.

All rights strictly reserved. Reproduction or issue to third parties in any form whatsoever is not permitted without written authority from the property of FCI. Copyright FCI.

PRODUCT NO.
10033853-*52**



RECOMMENDED MOUNTING P.C.B LAYOUT

mat'l. code		tolerances unless otherwise specified		CUSTOMER COPY	FCJ www.fciconnect.com	
lfr	ecn no	dr	date	linear	.X ± 0.20	projection
D				linear	.XX ± 0.10	
				angles	0° ±5°	MM
				dr	M.Hosegawa 6/29/04	
				enr	M.Hosegawa 6/29/04	scale
				chr		
				appd		2:1
sheet index	revision sheet					

title
DDR II 0.6 mm PITCH 200 POS.
STANDARD TYPE ASS'Y
product family 50UF SO-DIMM
size dwg no 10033853
code JP
sheet 2 of 2

ACAD

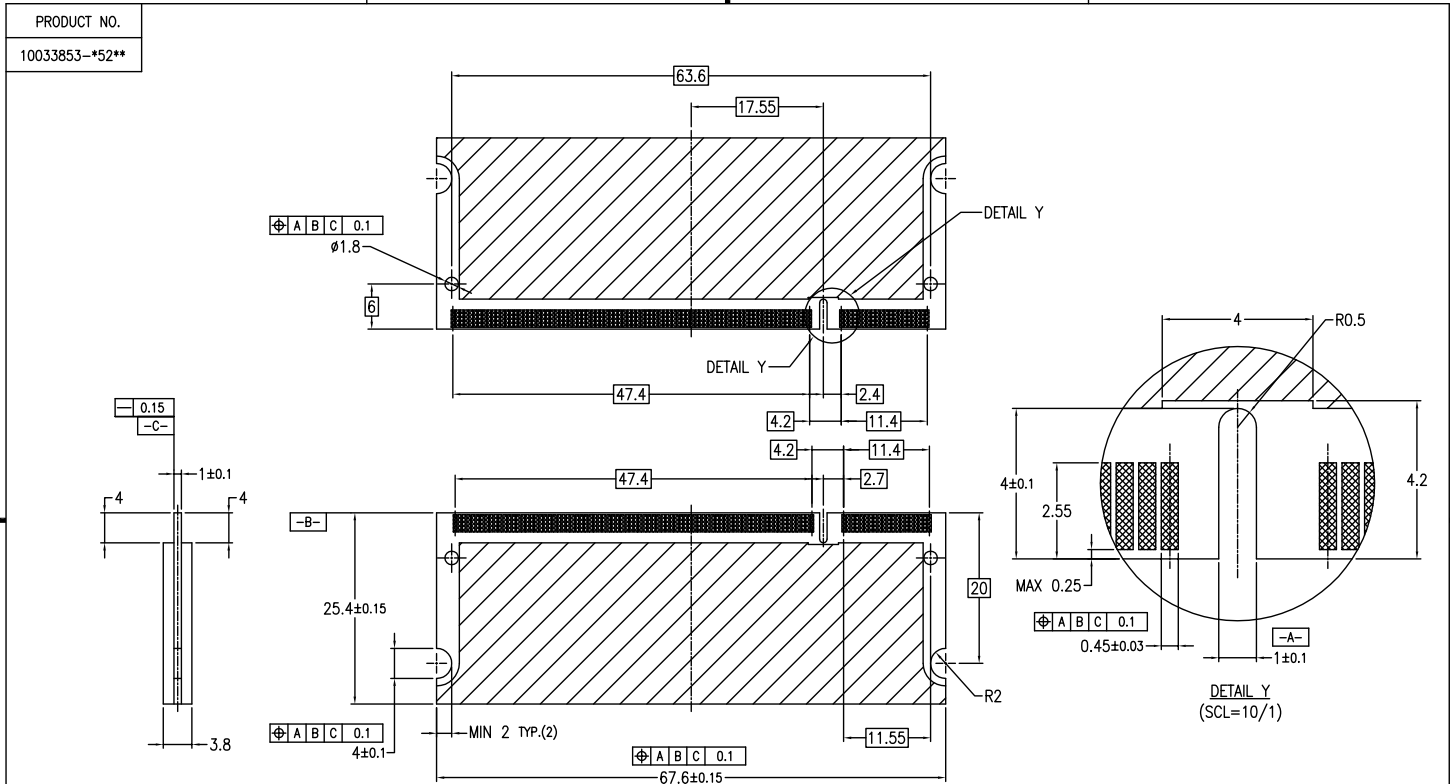
PDM: Rev:D

STATUS Released

Printed: Jul 28, 2010

Tous droits strictement réservés. Reproduction ou communication à des tiers interdite sans l'autorisation écrite de la propriété de FCI. Droits de reproduction FCI.

All rights strictly reserved. Reproduction or issue to third parties in any form whatsoever is not permitted without written authority from the property of FCI. Copyright FCI.



RECOMMENDED MODULE P.C.B. LAYOUT

mat'l. code		tolerances unless otherwise specified		CUSTOMER COPY		FCJ	
lfr	ecn no	dr	date	.X ± 0.20	projection	www.fciconnect.com	
D				.XX ± 0.10		title	
				angles	0° ± 5°	DDR II 0.6 mm PITCH 200 POS. STANDARD TYPE ASS'Y	
				dr	M.Hosegawa 6/29/04	product family	50UF SO-DIMM
				engr	M.Hosegawa 6/29/04	size	dwg no
				chr		code	JP
				appd		scale	2:1
sheet index	revision sheet					B	10033853
							sheet 3 of

ACAD

PDM: Rev:D

STATUS Released

Printed: Jul 28, 2010

Tous droits strictement réservés. Reproduction ou communication à des tiers sans autorisation écrite préalable. Toute réimpression sans autorisation écrite préalable est formellement interdite. Propriété de FCJ. Droits de reproduction FCJ.

All rights strictly reserved. Reproduction or issue to third parties in any form without written authority from the proprietor FCJ. Copyright FCJ.

1 | 2

3

4

PRODUCT NO.	LOCATING PEG	TERMINAL CONTACT AREA FINISH	HOLD DOWN FINISH	SOLDER TAIL FINISH
10033853-052FSLF	YES	Au FLASH	PURE Sn PLATING	Au FLASH
10033853-152FSLF	NO			
10033853-052TSLF	YES	Au 0.3um MIN.		
10033853-152TSLF	NO			
10033853-052ASLF	YES	Au 0.76um MIN.	Sn-Pb PLATING	
10033853-152ASLF	NO			
10033853-052FB	YES	Au FLASH		
10033853-152FB	NO			
10033853-052TB	YES	Au 0.3um MIN.		
10033853-152TB	NO			
10033853-052AB	YES	Au 0.76um MIN.		
10033853-152AB	NO			
10033853-252FSLF	YES	Au FLASH	PURE Sn PLATING	Pure Sn PLATING
10033853-352FSLF	NO			
10033853-252TSLF	YES	Au 0.3um MIN.		
10033853-352TSLF	NO			
10033853-252ASLF	YES	Au 0.76um MIN.	Sn-Pb PLATING	
10033853-352ASLF	NO			
10033853-252FB	YES	Au FLASH		
10033853-352FB	NO			
10033853-252TB	YES	Au 0.3um MIN.		
10033853-352TB	NO			
10033853-252AB	YES	Au 0.76um MIN.		
10033853-352AB	NO			
10033853-452FS	YES	Au FLASH	PURE Sn PLATING	Sn-Pb PLATING
10033853-552FS	NO			
10033853-452TS	YES	Au 0.3um MIN.		
10033853-552TS	NO			
10033853-452AS	YES	Au 0.76um MIN.	Sn-Pb PLATING	
10033853-552AS	NO			
10033853-452FB	YES	Au FLASH		
10033853-552FB	NO			
10033853-452TB	YES	Au 0.3um MIN.		
10033853-552TB	NO			
10033853-452AB	YES	Au 0.76um MIN.		
10033853-552AB	NO			

10033853-□□□□□ LF

<PACKING METHOD>
R : TAPE REEL
DEFAULT : TRAY

<HOLD DOWN FINISH>
S : Pure Sn
B : Sn-Pb

<CONTACT AREA FINISH>
F : Au FLASH
T : Au 0.3um MIN.
A : Au 0.76um MIN.

<TOTAL HEIGHT>
52 : 5.2mm

<LOCATING PEG, SOLDER TAIL FINISH>
0 : YES, Au FLASH
1 : NO, Au FLASH
2 : YES, Pure Sn PLATING
3 : NO, Pure Sn PLATING
4 : YES, Sn-Pb PLATING
5 : NO, Sn-Pb PLATING

For Rohs OPTIONS:
TAIL PLATING CODE MUST BE 0~3.
HOLD DOWN PLATING CODE MUST BE "S".
"LF" CODE IS EXIST IN THE END.
EX: 10033853-252TSLF

FOR NOT Rohs COMPATIBLE:
THIS "LF" CODE IS "BLANK".
EX:10033853-452TS

mat'l. code				tolerances unless otherwise specified		CUSTOMER COPY		FCJ www.fcjconnect.com	
ltr	ecn no	dr	date	linear	.X ± 0.20	projection	title	DDR II 0.6 mm PITCH 200 POS. STANDARD TYPE ASS'Y	
D				angles	.XX ± 0.10		product family	50UF SO-DIMM	code JP
				dr	M.Hosegawa 6/29/04	MM	size	dwg no	sheet 4 of
				enrg	M.Hosegawa 6/29/04	scale	B	10033853	
				chr		2:1			
				appd					
sheet index	revision	sheet							

1 | 2

3

4

ACAD

PDM: Rev:D

STATUS Released

Printed: Jul 28, 2010