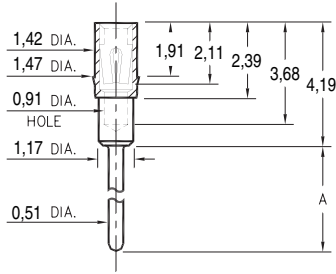


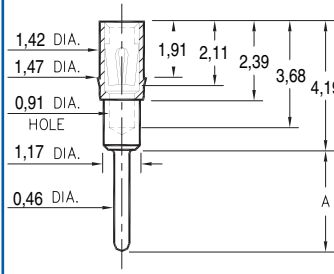
1802/3802/4030/8866



Basic Part Number	Length A
1802-0	3,18
3802-0	4,19
8866-0	19,69
4030-0	20,70

XXXX-0-15-XX-43-XX-04-0
Press-fit in 1,45 mounting hole

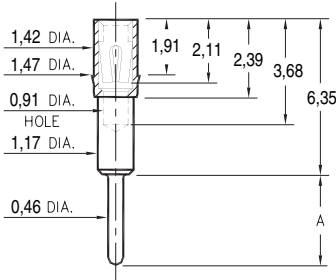
1803/1805



Basic Part Number	Length A
1803-0	3,68
1805-0	5,41

180X-0-15-XX-43-XX-04-0
Press-fit in 1,45 mounting hole

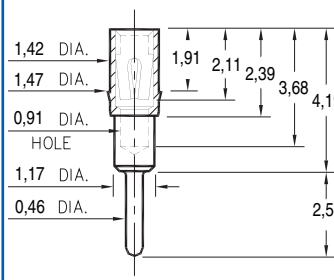
1804/1806



Basic Part Number	Length A
1804-0	2,03
1806-0	2,92

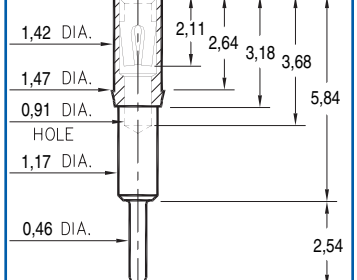
180X-0-15-XX-43-XX-04-0
Press-fit in 1,45 mounting hole

1808



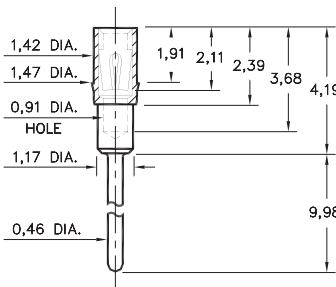
1808-0-15-XX-43-XX-04-0
Press-fit in 1,45 mounting hole

1807



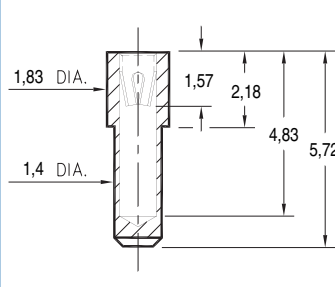
1807-0-15-XX-43-XX-04-0
Press-fit in 1,45 mounting hole

3805



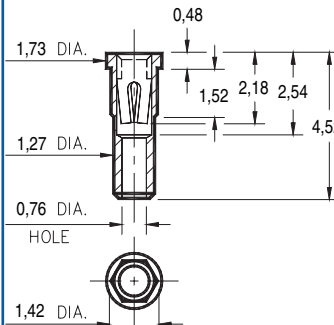
3805-0-15-XX-43-XX-04-0
Press-fit in 1,45 mounting hole

8830



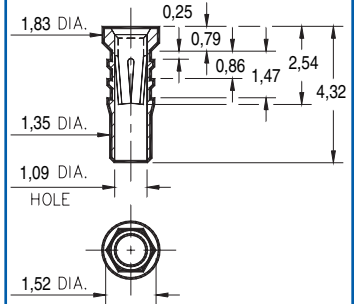
8830-0-15-XX-22-XX-10-0
Solder mount in 1,45 min. mounting hole

4622



4622-0-15-XX-30-XX-10-0
Hex press-fit in 1,35 plated thru hole

6252



6252-0-15-XX-32-XX-10-0
Hex press-fit in 1,45 plated thru hole

SPECIFICATIONS

SHELL MATERIAL:
Brass Alloy 360, 1/2 Hard

CONTACT MATERIAL:
Beryllium Copper Alloy 172, HT

PART MANUFACTURED IN INCHES, METRIC FOR REF ONLY

TOLERANCES ON:
LENGTHS: ± 0,13
DIAMETERS: ± 0,05
ANGLES: ± 2°

ORDER CODE: XXXX - 0 - 1X - XX - XX - XX - XX - 0

BASIC PART # →

SPECIFY SHELL FINISH:

- 01 5,08µm TIN/LEAD OVER NICKEL
- 80 5,08µm TIN OVER NICKEL ◊
- 15 0,25µm GOLD OVER NICKEL ◊

SPECIFY CONTACT FINISH:

- 02 2,54µm TIN/LEAD OVER NICKEL
- 84 2,54µm TIN OVER NICKEL ◊
- 27 0,76µm GOLD OVER NICKEL ◊



SELECT CONTACT

#22, #30, #32, or #43 CONTACT (DATA ON PAGE 207, 208 & 209)