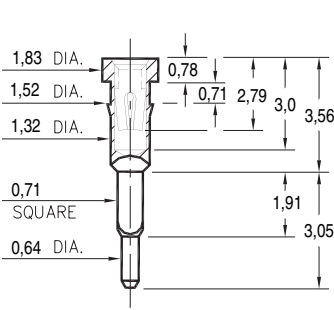
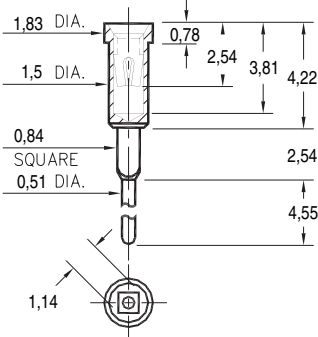


### 7132



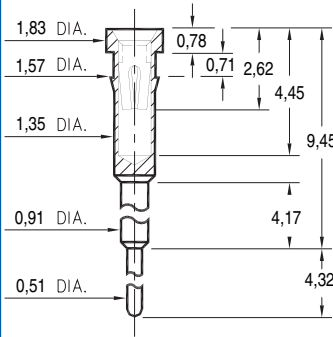
**7132-0-15-XX-30-XX-04-0**  
Square press-fit for 0,81 ±0,05 plated thru hole

### 8445



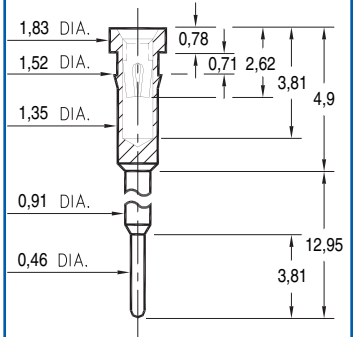
**8445-0-15-XX-30-XX-04-0**  
Square press-fit for 0,99 ±0,05 plated thru hole

### 1038



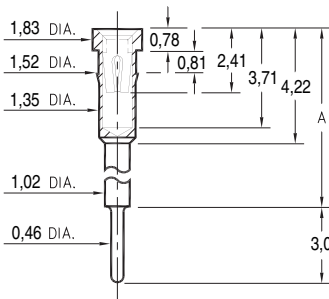
**1038-0-15-XX-30-XX-04-0**  
Press-fit in 1,5 mounting hole

### 1261



**1261-0-15-XX-30-XX-04-0**  
Press-fit in 1,45 mounting hole

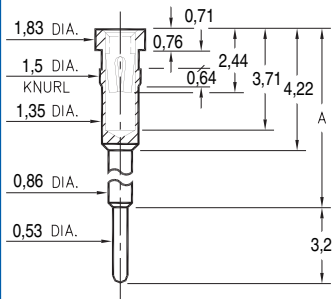
### 0153



**0153-X-15-XX-30-XX-04-0**  
Press-fit in 1,45 mounting hole

Basic Part Number	Height A
0153-1	5,99
0153-2	8,0
0153-3	10,21
0153-4	11,99
0153-5	15,09
0153-6	17,75

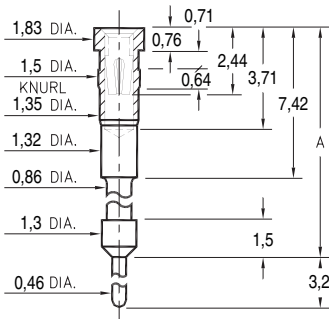
### 1602/1610



**16XX-0-15-XX-30-XX-04-0**  
Press-fit in 1,45 mounting hole

Basic Part Number	Height A
1602-0	11,2
1610-0	16,31

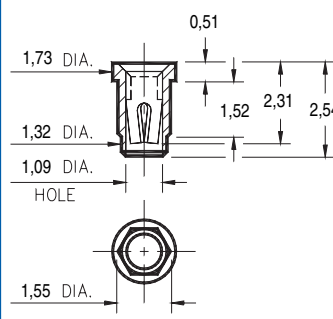
### 0903/0904



**090X-0-15-XX-30-XX-04-0**  
Press-fit in 1,45 mounting hole

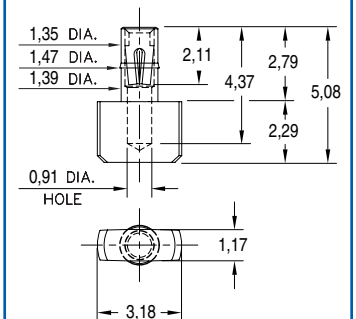
Basic Part Number	Height A
0903-0	21,36
0904-0	28,98

### 8252



**8252-0-15-XX-30-XX-04-0**  
Press-fit in 1,45 mounting hole

### 4078



**4078-0-15-XX-30-XX-40-0**  
Press-fit in 1,45 mounting hole

#### SPECIFICATIONS

**SHELL MATERIAL:**  
Brass Alloy 360, 1/2 Hard

**CONTACT MATERIAL:**  
Beryllium Copper Alloy 172, HT

**PART MANUFACTURED IN INCHES, METRIC FOR REF ONLY**

**TOLERANCES ON:**  
LENGTHS: ± 0,13  
DIAMETERS: ± 0,05  
ANGLES: ± 2°

**ORDER CODE: XXXX - X - 15 - XX - 30 - XX - XX - 0**

**BASIC PART #**

**SPECIFY SHELL FINISH:**

- 01 5,08µm TIN/LEAD OVER NICKEL
- 80 5,08µm TIN OVER NICKEL ◊
- 15 0,25µm GOLD OVER NICKEL ◊

**SPECIFY CONTACT FINISH:**

- 02 2,54µm TIN/LEAD OVER NICKEL
- 84 2,54µm TIN OVER NICKEL ◊
- 27 0,76µm GOLD OVER NICKEL ◊



**CONTACT**

#30 CONTACT (DATA ON PAGE 208)